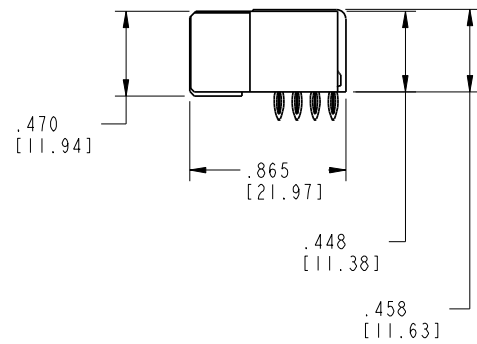
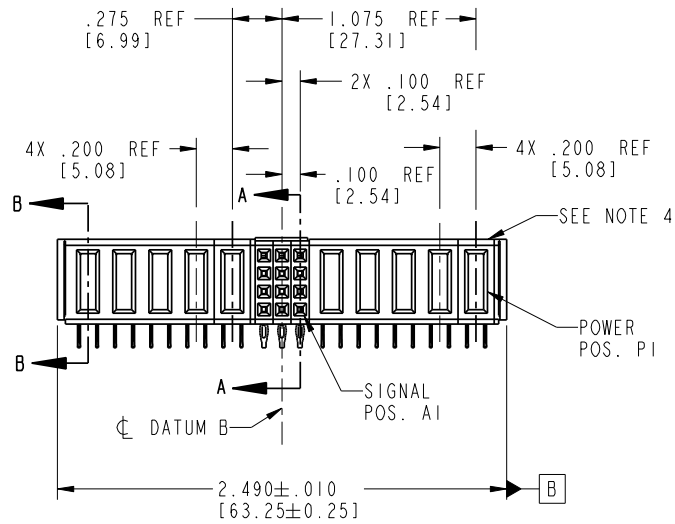


Tous droits strictement reserves. Reproduction ou communication a des tiers interdite sous quelque forme que ce soit sans autorisation écrite du propriétaire. Propriete de c FCI. Droits de reproduction FCI.



All rights strictly reserved. Reproduction or issue to third parties in any form without written authority from the proprietor. Property of FCI. Copyright FCI.

PRODUCT NO.	ROWS	POWER					SIG			POWER				
		P10	P9	P8	P7	P6	3	2	1	P5	P4	P3	P2	P1
51866-039 Note: (3)	D C B A	PE	PE	PE	PE	PE	S	S	S	PE	PE	PE	PE	PE
		R	R	R	R	R	P	P	P	N	N	N	N	N



CODE	DIM "M" MATING LENGTH	CONTACT TYPE
PE	.042 [1.07]	POWER
S	N/A [N/A]	SIGNAL
R	N/A [N/A]	SIGNAL
P	N/A [N/A]	SIGNAL
N	N/A [N/A]	SIGNAL

mat'l code SEE NOTE 2				tolerances unless otherwise specified		CUSTOMER	
lir	ecn no.	dr	date	linear	COPY		
A	D605-0416	R.Yuan	10/25/05	.XX±.01/0.X±0.3	projection		
				.XXX±.005/0.XX±0.13	INCH/MM		
				.XXX±.0020/0.XXX±0.051	scale 1:1		
				angles 0°±2°			
				dr Ryan.Yuan 10/25/05			
				engr Steven.Wang 10/25/05			
				chr VICTOR LIN 10/25/05			
				appd JOSEPH HSIA 10/25/05			
sheet index	revision	A	A	A	A		
	sheet	1	2	3	4		

A FCI www.fciconnect.com		title 5P +12S + 5P R/A PRESS FIT RECEPTACLE	
product family PwrBlade		code 213	
size A		dwg no 51866-039	
		sheet 1 of 4	

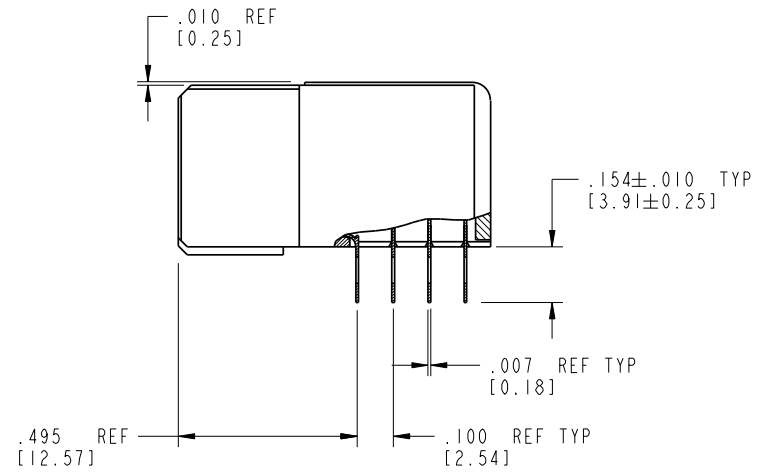
cage code 22526

Pro/E

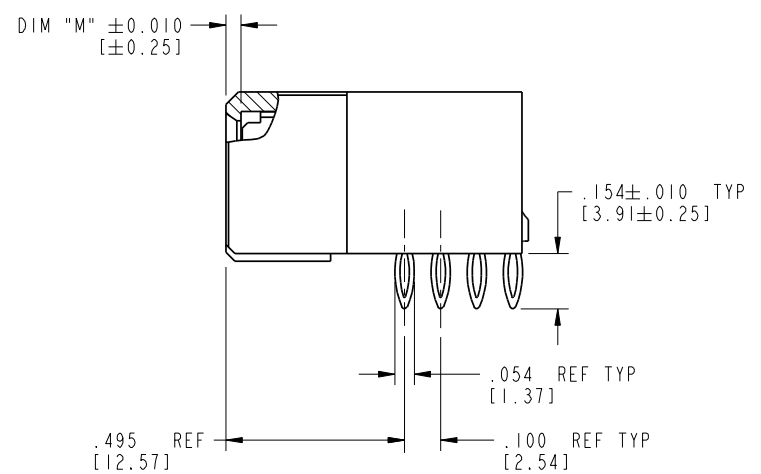
Tous droits strictement reserves. Reproduction ou communication a des tiers interdite sous quelque forme que ce soit sans autorisation écrite du propriétaire. Propriete de c FCI. Droits de reproduction FCI.

All rights strictly reserved. Reproduction or issue to third parties in any form whatever is not permitted without written authority from the proprietor. Property of FCI. Copyright FCI.

PRODUCT NUMBER
51866-039--
Note: (3)



BROKEN-OUT SECTION A-A
SCALE 2:1



BROKEN-OUT SECTION B-B
SCALE 2:1

mat'l code SEE NOTE 2				tolerances unless otherwise specified		CUSTOMER		 www.fciconnect.com	
lir	ecn no.	dr	date	linear	.XX±.01/0.X±0.3	COPY		projection	title
A					.XXX±.005/0.XX±0.13				5P +12S + 5P
				angles	.XXX±.002/0.XXX±0.051				R/A PRESS FIT RECEPTACLE
				dr	0° ± 2°				product family
				enr	Ryan Yuan 10/25/05	INCH/MM		scale	PwrBlade
				chr	Steven Wang 10/25/05	1:1		size	code
				appd	VICTOR LIN 10/25/05			dwg no	213
					JOSEPH HSIA 10/25/05			51866-039	sheet
sheet index	revision sheet								2 of 4

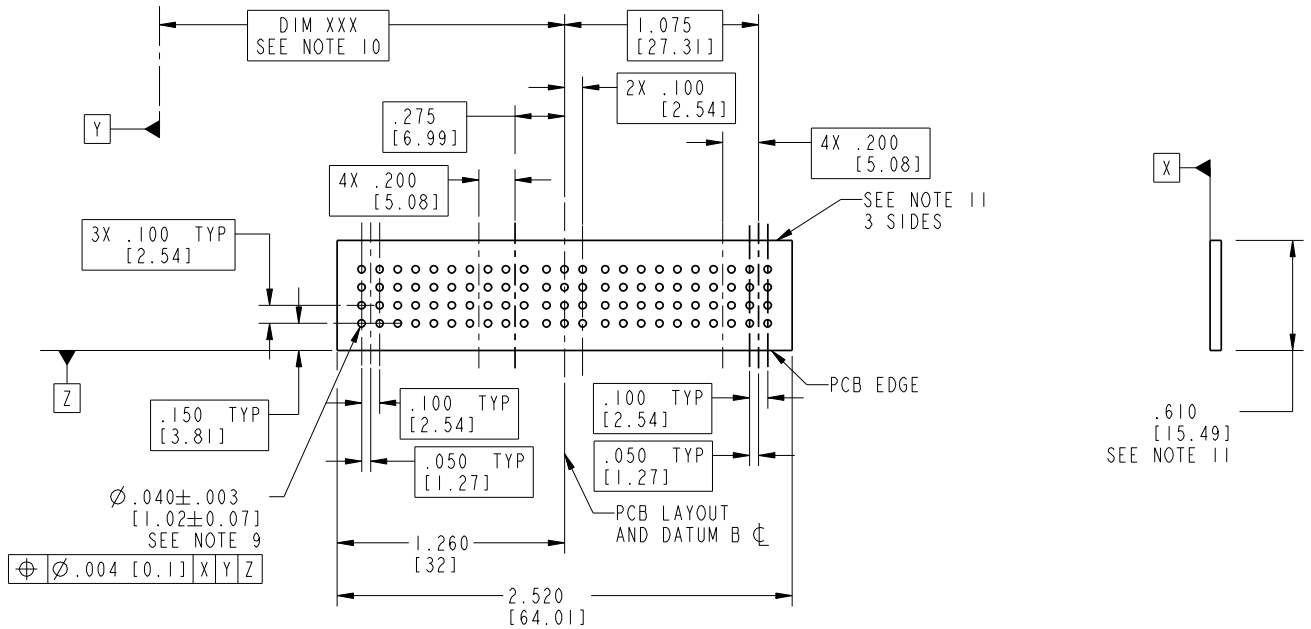
code code 22526

Pro/E

Tous droits strictement reserves. Reproduction ou communication a des tiers interdite sous quelque forme que ce soit sans autorisation écrite du propriétaire. Propriete de c FCI. Droits de reproduction FCI.

All rights strictly reserved. Reproduction or issue to third parties in any form without is not permitted without written authority from the proprietor. Property of FCI. Copyright FCI.

PRODUCT NUMBER
51866-039--
Note: ③



mat'l code		SEE NOTE 2		tolerances unless otherwise specified		CUSTOMER		A FCI		www.fciconnect.com	
lir	ecr no.	dr	date	linear	.XX±.01/0.X±0.3	COPY		projection		title	
A					.XXX±.005/0.XX±0.13					5P +12S + 5P	
				angles	.XXX±.002/0.XXX±0.051					R/A PRESS FIT RECEPTACLE	
				dr	0°±2°	Ryan.Yuan 10/25/05		INCH/MM		product family	
				enrg		Steven.Wang 10/25/05		scale		PwrBlade	
				chr		VICTOR LIN 10/25/05		1:1		code	
				appd		JOSEPH HSIA 10/25/05		A		213	
sheet index		revision sheet								3 of 4	

code code 22526

Tous droits strictement reserves. Reproduction ou communication a des tiers interdite sous quelque forme que ce soit sans autorisation écrite du propriétaire. Propriete de c FCI. Droits de reproduction FCI.



All rights strictly reserved. Reproduction or issue to third parties in any form without is not permitted without written authority from the proprietor. Property of FCI. Copyright FCI.

1 | 2

3 |

4

PRODUCT NUMBER	
51866-039--	
Note: (3)	
NOTES:	
1. DIMENSIONS AND TOLERANCES ARE IN ACCORDANCE WITH ASME Y14.5M, 1994 UNLESS OTHERWISE SPECIFIED.	
CONNECTOR NOTES:	
(2) HOUSING MATERIAL: UL 94 V-0 GLASS FILLED HIGH-TEMP THERMOPLASTIC	
POWER CONTACT MATERIAL: COPPER ALLOY	
SIGNAL PIN MATERIAL: COPPER ALLOY	
3. PLATING:	
51866-039 Singal Pin:30u"/0.76um Au OVER 50u"/1.27um Ni ON THE CONTACT AREA, AND 100u"/2.54um SnPb PLATING OVER 50u"/1.27um Ni ON THE TERMINATION SECTION.	
Power Pin:30u"/0.76um Au OVER 50u"/1.27um Ni ON THE CONTACT AREA, AND 100u"/2.54um SnPb PLATING OVER 50u"/1.27um Ni ON THE TERMINATION SECTION.	
51866-039LF Singal Pin:30u"/0.76um Au OVER 50u"/1.27um Ni ON THE CONTACT AREA, AND 78u"/2.00um Sn PLATING OVER 50u"/1.27um Ni ON THE TERMINATION SECTION.	
Power Pin:30u"/0.76um Au OVER 50u"/1.27um Ni ON THE CONTACT AREA, AND 78u"/2.00um Sn PLATING OVER 50u"/1.27um Ni ON THE TERMINATION SECTION.	
PART NUMBER 51866-039LF MEETS EUROPEAN UNION DIRECTIVE AND OTHER COUNTRY REGULATIONS AS DESCRIBED IN GS-22-008.	
THE HOUSING WILL WITHSTAND EXPOSURE TO 260° PEAK TEMPERATURE FOR 10 SECONDS IN A WAVE SOLDER APPLICATION WITH A CIRCUIT BOARD.	
(4) MANUFACTURER'S NAME, P/N, AND DATE CODE TO APPEAR ON THIS SURFACE.	
5. PRODUCT SPECIFICATION GS-12-149. APPLICATION SPECIFICATION BUS-20-067.	
6. PACKAGED IN TRAYS.	
PCB NOTES:	
7. ALL HOLE DIAMETERS ARE FINISHED HOLE SIZE.	
(8) MOUNTING HOLES, WHERE APPLICABLE, ARE UNPLATED.	
(9) Ø.0453±.0010 [1.151±0.025] DRILLED HOLES PLATED WITH .0003 [0.008] MIN SnPb OVER .001 [0.03] TO .003 [0.08] Cu PLATING TO ACHIEVE Ø.040±.003 [1.02±.07] HOLE.	
(10) "DIM XXX" TO BE DETERMINED BY THE CUSTOMER.	
(11) CONNECTOR KEEP-OUT ZONE.	
12. USE FCI CAM TOOL 430140-XXX TO APPLY CONNECTOR TO PCB.	

mat'l code		SEE NOTE 2		tolerances unless otherwise specified		CUSTOMER		A FCI		www.fciconnect.com	
lfr	ecr no.	dr	date	linear	.XX±.01/0.X±0.3	COPY		projection		title	
A					.XXX±.005/0.XX±0.13					5P +12S + 5P	
				angles	.XXX±.002/0.XXX±0.051					R/A PRESS FIT RECEPTACLE	
				dr	0° ± 2°	INCH/MM		product family		PwrBlade	
				enrg	Ryan.Yuan 10/25/05	scale		size		code	
				chr	Steven.Wang 10/25/05	1:1		dwg no		213	
				appd	VICTOR LIN 10/25/05			51866-039		sheet	
					JOSEPH HSIA 10/25/05			A		4 of 4	
sheet index	revision										
	sheet										

A

A

B

B

1 | 2

Pro/E

3 |

cage code 22526

4