

RoHS COMPLIANT BY EXEMPTION

TABLE FOR PART NUMBERS

MOLEX PART#	FCT PART#	X-X	A [mm]	B [mm]	C [mm]	E* [mm]	F* [mm]	NO. OF CONTACTS 1./2./3. ROW	FORMERLY PART NO
1731130153	F09-15P135G0-5979	09-15	30.8	16.9	25	Ø 1.1	Ø 3	5/5/5	CT09-15P135-5805
1731130154	F15-26P135G0-5979	15-26	39.1	25.2	33.3			9/9/8	CT15-26P135-5805
1731130155	F25-44P135G0-5979	25-44	53	38.9	47.04			15/15/14	CT25-44P135-5805

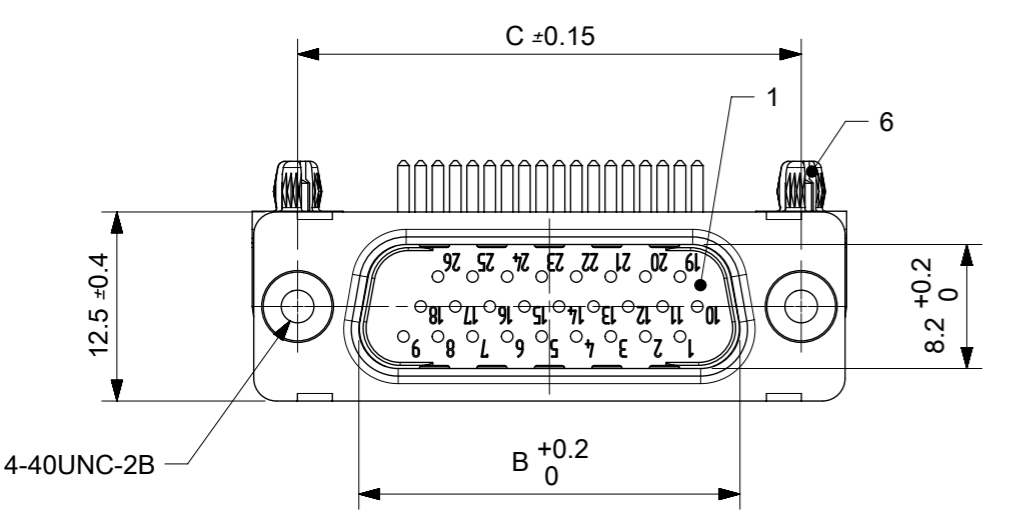
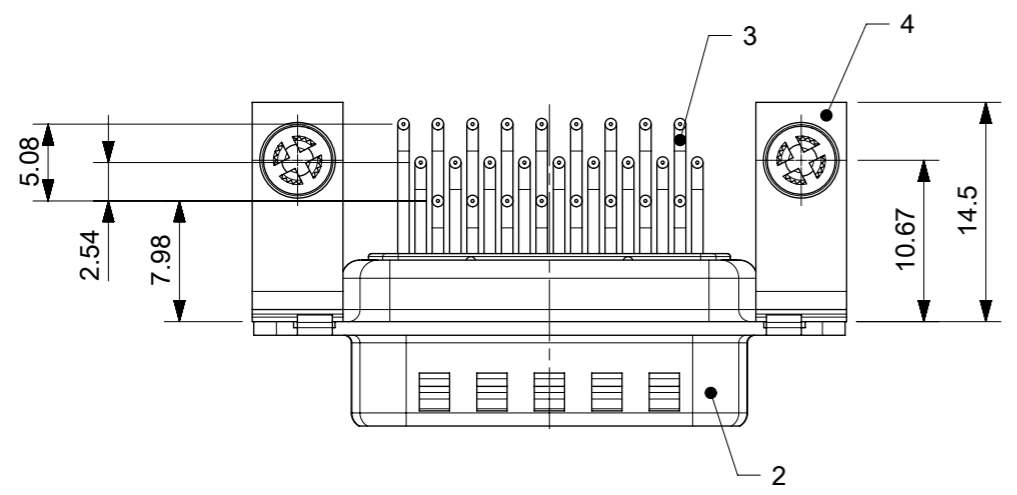
*PCB HOLE PATTERNS, ØE, ØF, ON SUPPLEMENT 1731131002

TABLE FOR GENERAL TOLERANCES

PERMISSIBLE DEVIATIONS FOR BASIC SIZE RANGE				
0.5 UPTO 3	OVER 3 UPTO 6	OVER 6 UPTO 30	OVER 30 UPTO 120	OVER 120 UPTO 400
±0.1	±0.1	±0.2	±0.3	±0.5

X-X NO. OF CONTACTS 09-15, 15-26, 25-44

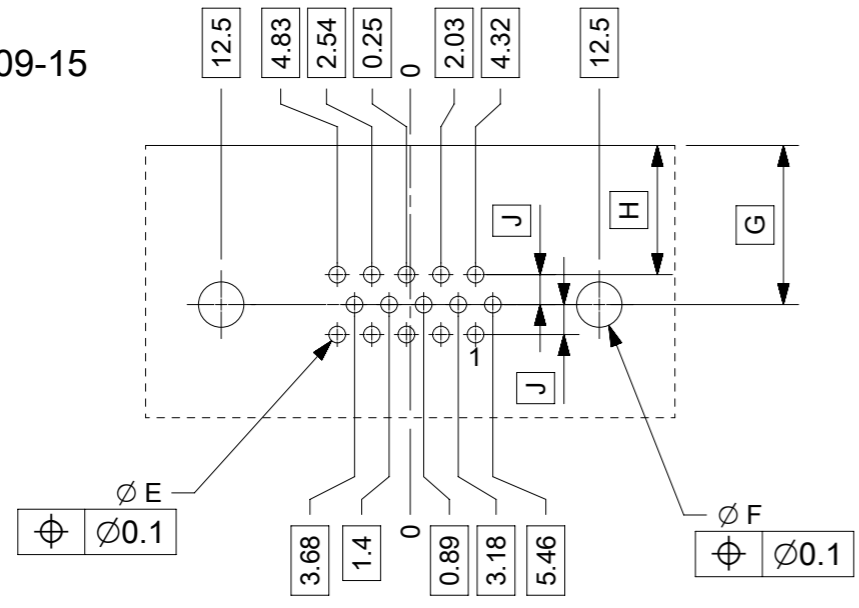
NO.	St.	PART	TYPE DESCRIPTION/MATERIAL	SURFACE PLATING/COLOUR/CLASS
6	2	SNAP IN RIVET	PCB 1.6mm / BRASS	TIN PLATED
5	2	CLINCH NUT	MW 4-40 / BRASS	TIN PLATED
4	2	BRACKET	F1080-29 / STEEL	TIN PLATED
3	X-X	SIGNAL CONTACT, MACHINED	HP135 / BRASS	0.8µm Au
2	1	SHELL	STEEL	TIN PLATED
1	1	INSULATOR	THERMOPLASTIC, GF	BLACK



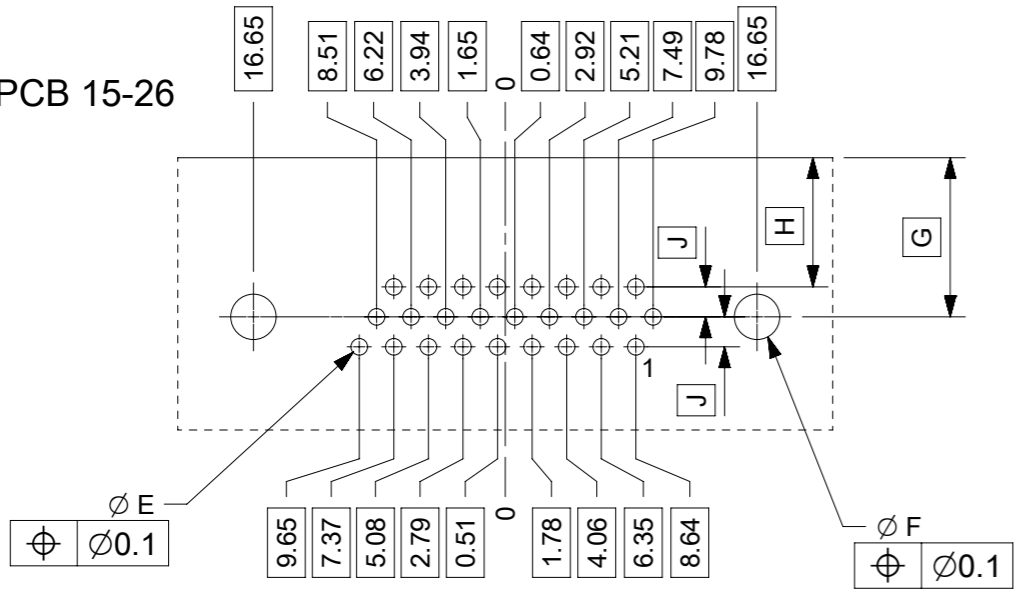
THIS DRAWING CONTAINS INFORMATION THAT IS PROPRIETARY TO MOLEX ELECTRONIC TECHNOLOGIES, LLC AND SHOULD NOT BE USED WITHOUT WRITTEN PERMISSION

QUALITY SYMBOLS	DRAWING UPDATED	EC NO: 121239	DRWN: ISHWARG	CHK'D: KPRASAD	APPR: KPRASAD	2017/08/30	2017/08/30	GENERAL TOLERANCES (UNLESS SPECIFIED)	DIMENSION UNITS	SCALE	
						mm	2:1				
▽ = 0	2017/08/30	2017/08/30	ANGULAR TOL ± °	DRWN BY	DATE	RLALSANGI	2017/04/14	4 PLACES ±	CHK'D BY	DATE	HPD HIGH DENSITY D-SUB, RIGHT ANGLE PCB CONNECTOR, WITH MACHINED MALE CONTACTS
▽ = 0	2017/08/30	2017/08/30	3 PLACES ±	ISHWARG	2017/06/07	2 PLACES ±	1 PLACE ±	0 PLACES ±	APPR BY	DATE	
▽ = 0	2017/08/30	2017/08/30	DRAFT WHERE APPLICABLE MUST REMAIN WITHIN DIMENSIONS	DRAWING SIZE	THIRD ANGLE PROJECTION	A3		SERIES	MATERIAL NUMBER	CUSTOMER	173113 SEE TABLE GENERAL MARKET
▽ = 0	2017/08/30	2017/08/30						173113	SEE TABLE	GENERAL MARKET	
▽ = 0	2017/08/30	2017/08/30						DOCUMENT NUMBER	DOC TYPE	DOC PART	SHEET NUMBER
▽ = 0	2017/08/30	2017/08/30						1731130153	PSD	000	1 OF 1

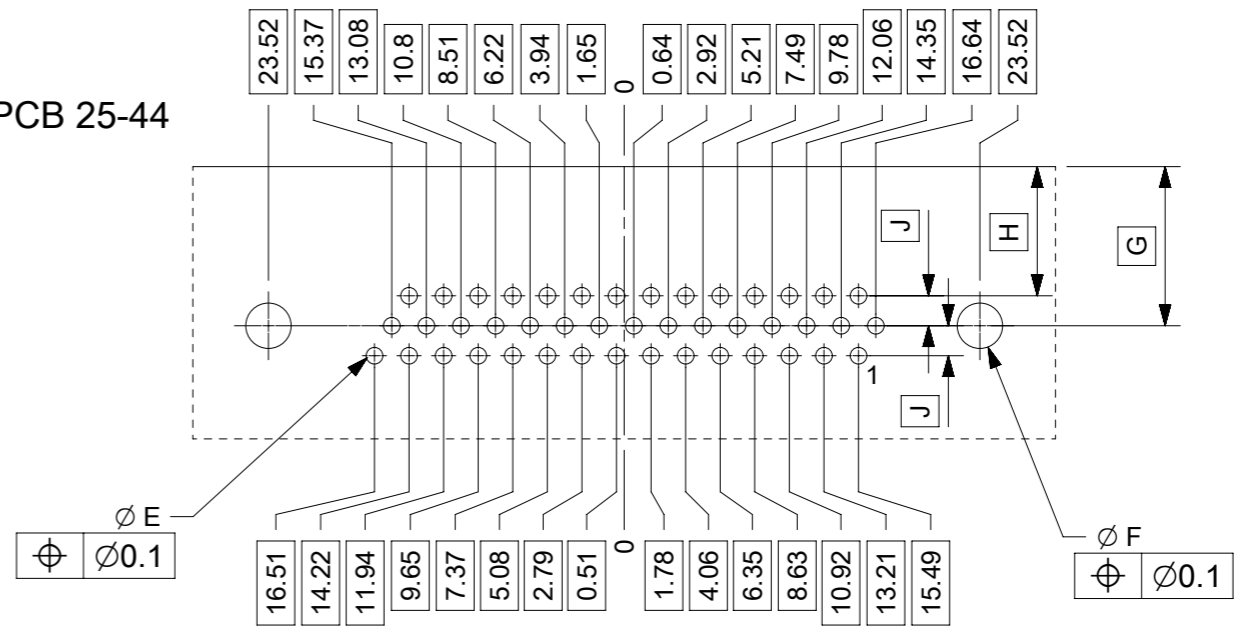
PCB 09-15



PCB 15-26



PCB 25-44



VIEW ON MOUNTING SIDE

ØE, ØF, G, H, J SEE DATA SHEET INCL. CONNECTOR
ØF, CONNECTORS WITH ACCESSORIES ONLY

THIS DRAWING CONTAINS INFORMATION THAT IS PROPRIETARY TO MOLEX ELECTRONIC TECHNOLOGIES, LLC AND SHOULD NOT BE USED WITHOUT WRITTEN PERMISSION

EC NO: 117803 DRWN: RLALSANGI CHK'D: ISHWARG APPR: ISHWARG	2017/05/12	GENERAL TOLERANCES (UNLESS SPECIFIED) ANGULAR TOL ± ° 4 PLACES ± 3 PLACES ± 2 PLACES ± 1 PLACE ± 0 PLACES ± DRAFT WHERE APPLICABLE MUST REMAIN WITHIN DIMENSIONS	DIMENSION UNITS	SCALE		
	2017/06/07		MM	1:1		
	2017/06/07		DRWN BY	DATE		RLALSANGI 2017/05/12
			CHK'D BY	DATE		ISHWARG 2017/06/07
			APPR BY	DATE		ISHWARG 2017/06/07
A	REV	DRAWING SIZE	THIRD ANGLE PROJECTION		PRODUCT CUSTOMER DRAWING	
		A3			SERIES: 173113	
					MATERIAL NUMBER: NOT APPLICABLE	
					CUSTOMER: GENERAL MARKET	
					DOCUMENT NUMBER: 1731131002	
					DOC TYPE: PSD	
					DOC PART: 000	
					SHEET NUMBER: 1 OF 1	