

MICRO SWITCH
a Honeywell Division
FED. MFG. CODE 81829

SWITCH - TOGGLE

CATALOG LISTING
104TL2887
SERIES CHART 1

THIS DRAWING COVERS A PROPRIETARY ITEM AND IS THE PROPERTY OF MICRO SWITCH, A DIVISION OF HONEYWELL. THIS DRAWING IS NOT TO BE COPIED OR USED WITHOUT THE APPROVAL OF MICRO SWITCH

ELECTRICAL RATING

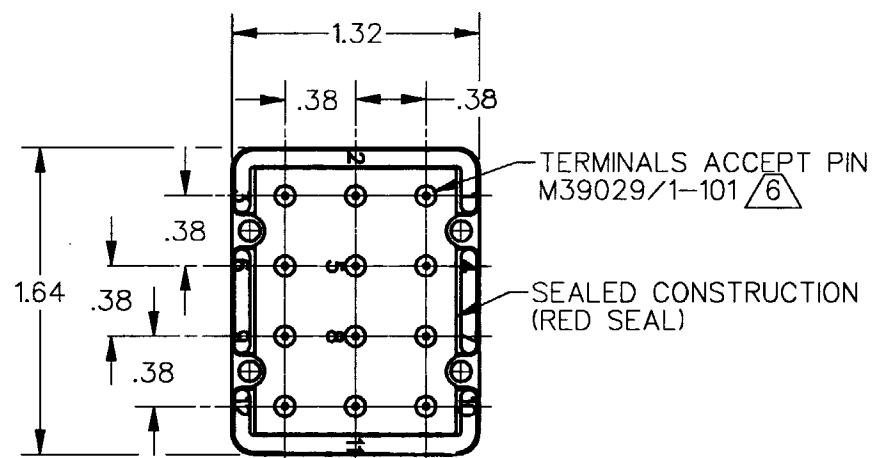
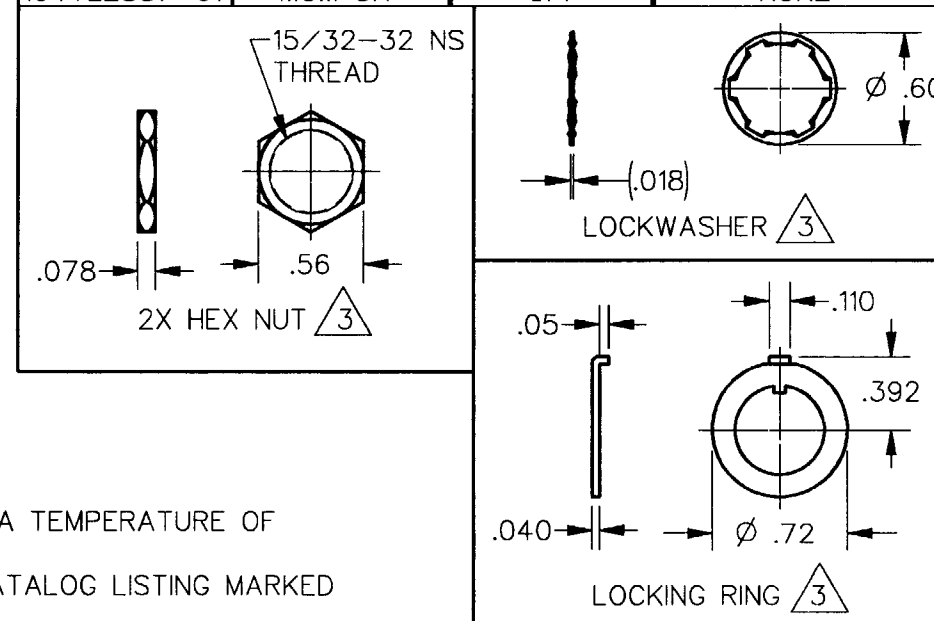
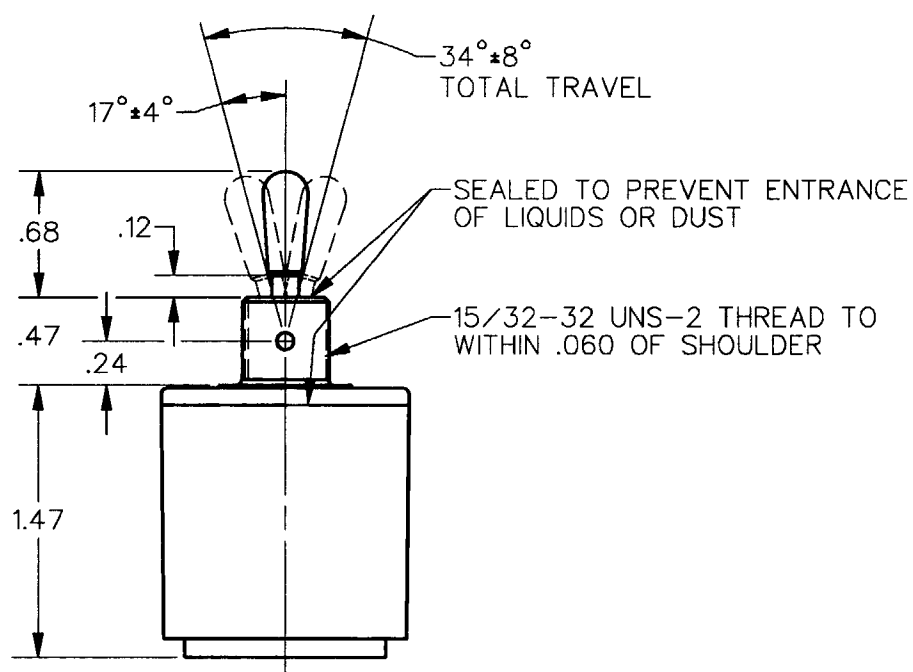
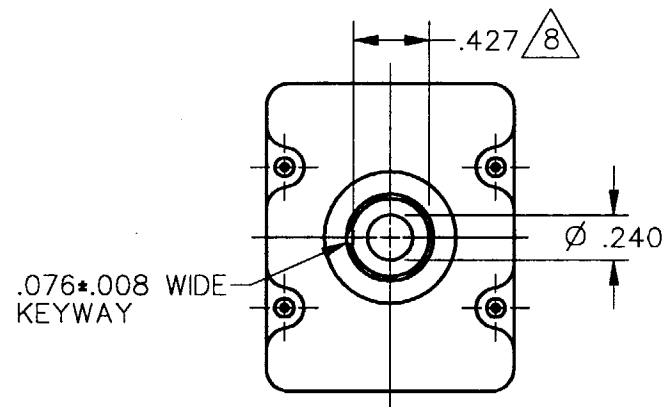
.1A 28 VDC, 115 VAC

CATALOG LISTING

5 CIRCUIT MADE WITH TOGGLE LEVER IN

KEYWAY SIDE (1-2, 4-5 7-8, 10-11)	CENTER (1-2, 4-5 7-8, 10-11)	OPPOSITE KEYWAY (2-3, 5-6, 8-9 11-12)
---	------------------------------------	---

104TL2887-1	ON	OFF	ON
104TL2887-2	OFF	NONE	ON
104TL2887-3	ON	NONE	ON
104TL2887-4	MOM OFF	NONE	ON
104TL2887-5	MOM ON	OFF	ON
104TL2887-6	MOM ON	NONE	OFF
104TL2887-7	MOM ON	OFF	MOM ON
104TL2887-8	MOM ON	NONE	ON
104TL2887-21	NONE	OFF	ON
104TL2887-31	NONE	ON	ON
104TL2887-51	NONE	ON	MOM ON
104TL2887-61	MOM ON	OFF	NONE



NOTES

- SWITCHES ARE CAPABLE OF WITHSTANDING A TEMPERATURE OF 160°F CONTINUOUSLY AT FULL RATED LOAD
- CIRCUIT DESIGNATION AND MICRO SWITCH CATALOG LISTING MARKED ON SIDE OF SWITCH
- FURNISHED UNASSEMBLED
- UNUSED TERMINAL HOLES MAY BE SEALED WITH PLUGS M83723/28-20
- APPLIES ONLY TO "ON" AND "MOMENTARY ON" POSITIONS
- THE SEALING GROMMET SHALL SEAL ON A SMOOTH WIRE INSULATION OF ϕ .040 - .083
- GOLD PLATED CONTACTS
- FROM BOTTOM OF KEYWAY TO MAJOR ϕ OF 15/32 THREAD

CATALOG LISTING
M 104TL2887 SERIES CHART 1
 ISSUE 3
 REVISIONS
 A PR-20184
 S A V
 4 SEPT 92
 CHECK
 B SEP 92
 DRAW
 D W
 CHECK
 S A V 4 SEPT 92
 DDM/CAD
 DRAWN

ANSI Y14.5M-1982 APPLIES

THIRD ANGLE PROJECTION

SCALE FULL

DO NOT SCALE PRINT

UNLESS OTHERWISE SPECIFIED TOLERANCES ARE

ONE PLACE	(.0)	±.030
TWO PLACE	(.00)	±.015
THREE PLACE	(.000)	±.005
ANGLES		±
WEIGHT	.21 LB MAX	

MICROSWITCH
a Honeywell Division
FED. MFG. CODE 91929

SWITCH - TOGGLE

104TL2887 SERIES CHART 1

CATALOG LISTING

THIS DRAWING COVERS A PROPRIETARY ITEM AND IS THE PROPERTY OF MICRO SWITCH. A DIVISION OF HONEYWELL. THIS DRAWING IS NOT TO BE COPIED OR USED WITHOUT THE APPROVAL OF MICRO SWITCH

ELECTRICAL RATING

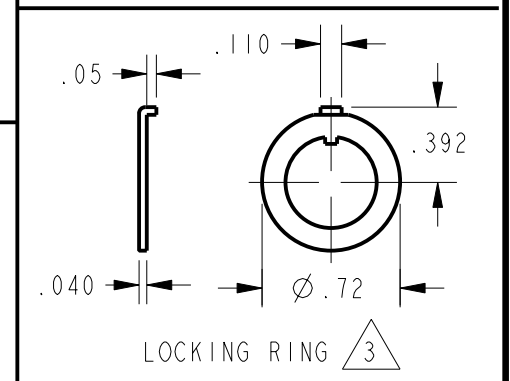
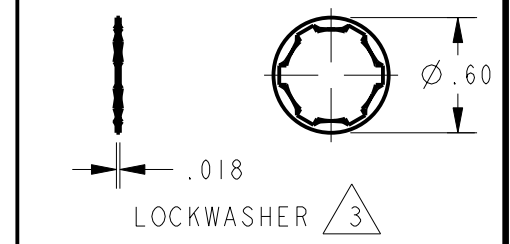
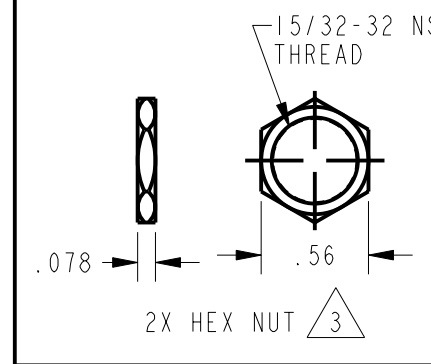
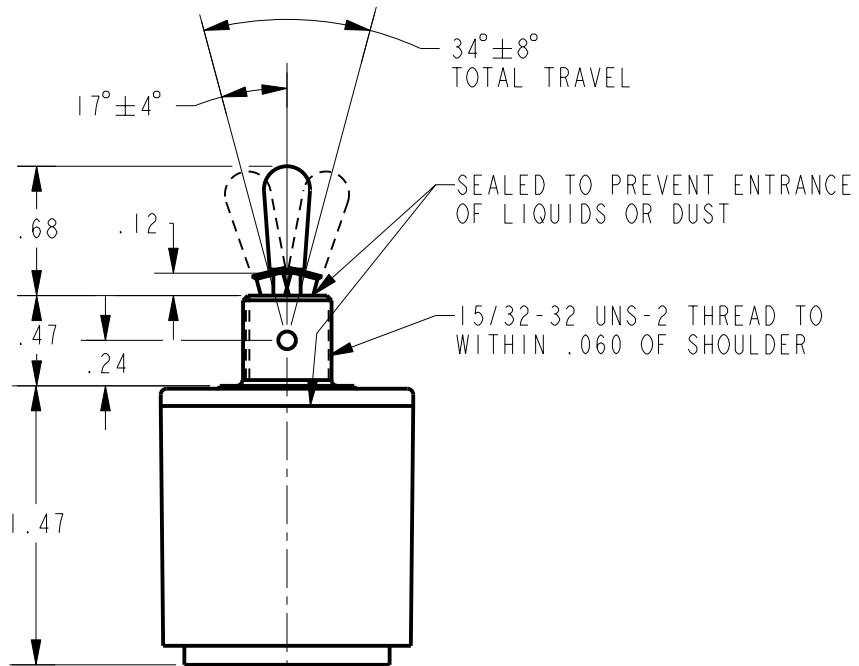
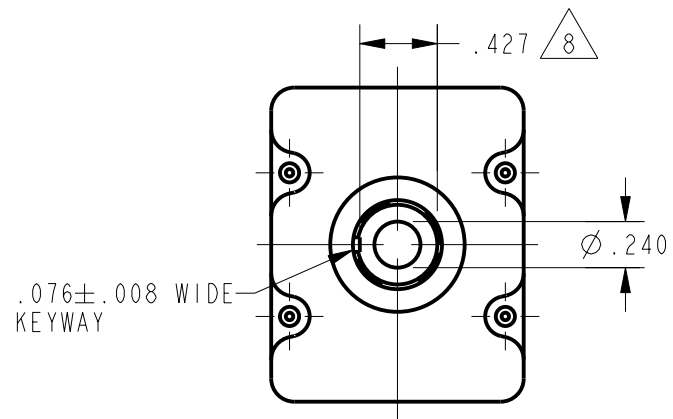
.1A 28 VDC, 115 VAC

CATALOG LISTING

$\triangle 5$ CIRCUIT MADE WITH TOGGLE LEVER IN

KEYWAY SIDE (1-2, 4-5 7-8, 10-11)	CENTER (1-2, 4-5 7-8, 10-11)	OPPOSITE KEYWAY (2-3, 5-6, 8-9 11-12)
-----------------------------------	------------------------------	---------------------------------------

104TL2887-1	ON	OFF	ON
104TL2887-2	OFF	NONE	ON
104TL2887-3	ON	NONE	ON
104TL2887-4	MOM OFF	NONE	ON
104TL2887-5	MOM ON	OFF	ON
104TL2887-6	MOM ON	NONE	OFF
104TL2887-7	MOM ON	OFF	MOM ON
104TL2887-8	MOM ON	NONE	ON
104TL2887-21	NONE	OFF	ON
104TL2887-31	NONE	ON	ON
104TL2887-51	NONE	ON	MOM ON
104TL2887-61##	MOM ON	OFF	NONE



CATALOG LISTING
104TL2887 SERIES CHART 1
PAGE 1 OF 1

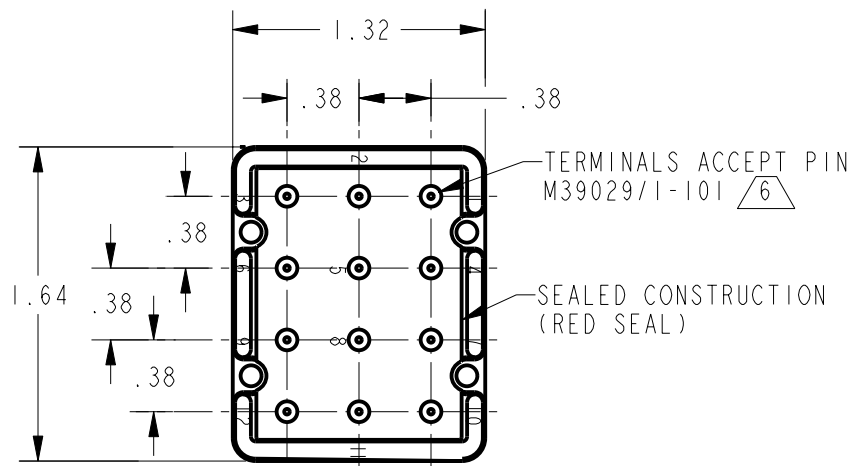
ISSUE
4

REVISIONS
A 205901
DLT
20 JUN 02

PTC/CAD 2D
DRAWN
DLT 20 JUN 02
CHECK
SAV 20 JUN 02
CHECK
REPLACES
RELEASE NO. PR-20184

NOTES

- 1 - SWITCHES ARE CAPABLE OF WITHSTANDING A TEMPERATURE OF 160°F CONTINUOUSLY AT FULL RATED LOAD
- 2 - CIRCUIT DESIGNATION AND MICRO SWITCH CATALOG LISTING MARKED ON SIDE OF SWITCH
- $\triangle 3$ - FURNISHED UNASSEMBLED
- 4 - UNUSED TERMINAL HOLES MAY BE SEALED WITH PLUGS M83723/28-20
- $\triangle 5$ - APPLIES ONLY TO "ON" AND "MOMENTARY ON" POSITIONS
- $\triangle 6$ - THE SEALING GROMMET SHALL SEAL ON A SMOOTH WIRE INSULATION OF Ø .040-.083
- 7 - GOLD PLATED CONTACTS
- 8 - FROM BOTTOM OF KEYWAY TO MAJOR Ø OF 15/32 THREAD



ANSI Y14.5M-1982 APPLIES

THIRD ANGLE PROJECTION			
SCALE	FULL		
DO NOT SCALE PRINT			
UNLESS OTHERWISE SPECIFIED TOLERANCES ARE			
ONE PLACE	(.0)	±.030	
TWO PLACE	(.00)	±.015	
THREE PLACE	(.000)	±.005	
ANGLES	±		
WEIGHT	.21 LB MAX		