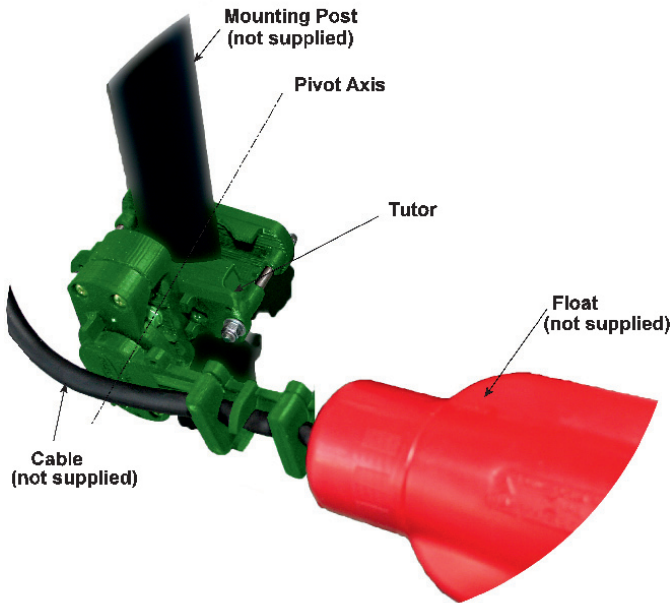


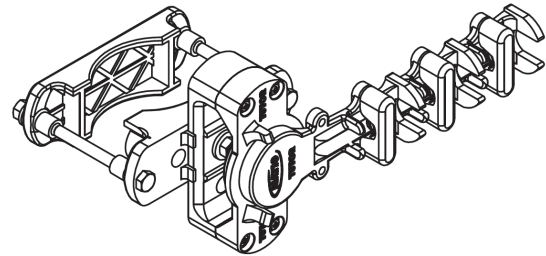


Tutor

Steering control for cable suspended float switches.



- **Constrains movement of the float to prevent fouling with other objects in the tank**
- **Cable lock feature**
- **Inert and non-hazardous in water**

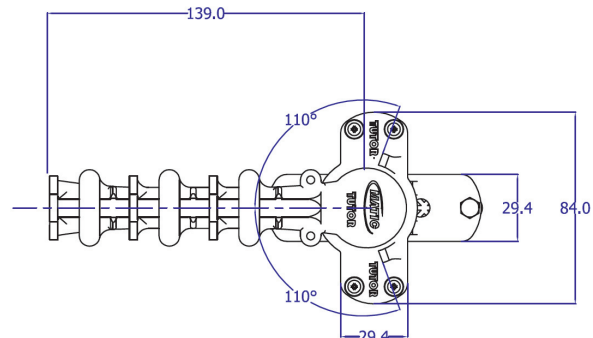
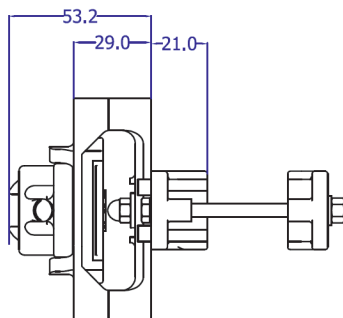
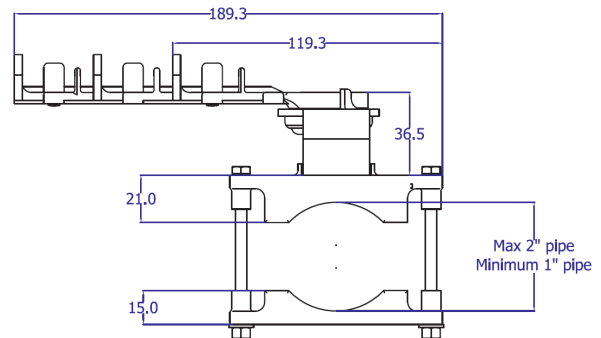


Equipped with a special bracket, the **Tutor** system can be easily fixed directly on pumps, or wall fixed, or on pipework for steering the floating switch in narrow or confined spaces to avoid the accidental fouling of other pipes, cables, walls and other obstacles.

Compared to the traditional cable locking system seen on pumps, the **Tutor** pivot system allows the full flexibility of up to only 4cm length from the fixed point, without any movement impairment.

The **Tutor** is compatible with all of Cynergy3's extensive range of cable-end float switches.

Mechanical Dimensions



Cynergy3 Components Ltd.
 7 Cobham Road
 Ferndown Industrial Estate
 Wimborne, Dorset BH21 7PE
 Telephone +44 (0) 1202 897969
 Email: sales@cynergy3.com

ISO9001 CERTIFIED

Tutor 2016

www.cynergy3.com