

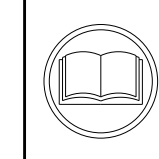
ATLANTIC VERSION TERMINATOR INTERFACE ADAPTER	PART NUMBER	REVISION	DESCRIPTION	FEED TYPE	APPLICATOR STYLE CONVERSION CHART					
					CONVERT TO	PART NUMBERS REQUIRED				
	2266481-2	A	FINE CRIMP HEIGHT ADJUST	PNEUMATIC	-	-	-	-	-	-
	2266481-5	A	FINE CRIMP HEIGHT ADJUST	SERVO LATCH PLATE	2119951-1	-	8-2266481-5	1901094-3	-	2168400-6 (QUANTITY 2)
	2266481-6	A	NON-CRIMP HEIGHT ADJUST	SERVO LATCH PLATE	2161326-1	-	8-2266481-4	-	-	-
	2266481-7	A	FINE CRIMP HEIGHT ADJUST	NONE	-	-	-	-	-	-
	7-2266481-7	A	CRIMP TOOLING KIT	-	-	-	-	-	-	-

APPLICATOR DATA		
CRIMP	SIZE	TYPE
WIRE	4.24 mm [1.67]	F
INSUL	5.15 mm [2.03]	F

APPLICATOR INSTRUCTIONS 408-10389

TERMINAL DATA: G&H (LEAR) TERMINAL LEAR CRIMP SPECIFICATION	
TERMINAL NAME: TERMINAL	
WIRE STRIP LENGTH 6.40-6.60 mm [2.52-.260 IN]	INSULATION DIAMETER RANGE Ø 3.43-4.57 mm [1.35-.180 IN]
TERMINAL APPLICATION SPECIFICATION 26880 Rev 3	
TERMINALS APPLIED	
TE TERMINAL 2113577-1	G&H (LEAR) TERMINAL 26880.000.001

WIRE SIZE	CRIMP HEIGHT mm [INCH]	CRIMP HEIGHT REFERENCE SETTING
6.00mm2	2.85+/-0.10 [1.12+/-0.04]	4.7
4.00mm2	2.45+/-0.10 [0.96+/-0.04]	8.7



- RECOMMENDED SPARE PARTS
- GREASE BEARING SURFACES LIGHTLY
- LUBRICATE DAILY PER THE APPLICATOR INSTRUCTION SHEET SUPPLIED WITH THE APPLICATOR.
- APPLICATOR SPECIFIC DATA TO BE ENTERED INTO BLANK MEMORY CHIP AT ASSEMBLY. SEE BELOW FOR PART NUMBER:
PNEUMATIC FEED WITH "SMART APPLICATOR" CONVERSION: 8-2266481-4
SERVO FEED WITH "FINE CRIMP HEIGHT ADJUST": 8-2266481-5
SERVO FEED WITH "NON-CRIMP HEIGHT ADJUST": 8-2266481-6
- ADJUSTMENT OF THE STRIPPER MAY BE REQUIRED WHEN MOVING THE APPLICATOR BETWEEN BENCH AND LEADMAKER APPLICATIONS.
- APPLY PART NUMBER 1-23419-5 LOCTITE TO THREADS OF ITEMS 62. APPLY PART NUMBER 2-23419-6 LOCTITE TO THREADS OF ITEM 242. FOR -6 ONLY APPLY PART NUMBER 1-23419-5 LOCTITE TO THREADS OF ITEMS 37.
- GREASE THREADS, GROOVE AND O-RING ON ITEMS 35 & 252.
- MAGNET, ITEM 166 MUST BE ORIENTED CORRECTLY IN ORDER TO PROPERLY ACTUATE THE COUNTER.
- CRIMP HEIGHT REFERENCE SETTING WAS THE SETTING USED WHEN THE APPLICATOR WAS QUALIFIED AT THE FACTORY. ADJUSTMENT MAY BE NECESSARY WHEN RUNNING APPLICATOR IN THE FIELD.
- TERMINAL PITCH NOT COMPATIBLE WITH MECHANICAL FEED.
- TO CONVERT THE APPLICATOR TO A NON-CARRIER CUTTING STYLE, REMOVE ITEM 13 AND ATTACH TO THE LOCATION ON THE BACK SIDE OF THE HOUSING. REFER TO INSTRUCTION SHEET FOR ADDITIONAL INFORMATION.
- WHEN ASSEMBLING A NON CRIMP HEIGHT ADJUST APPLICATOR (-6) USE SHIMS FROM ITEM 260 TO ACHIEVE A NOMINAL SHIM HEIGHT OF 2.95.

***WARNING**
ON INSTALLATION, SET WIRE DISC, ITEM 40 TO LARGEST WIRE SIZE SETTING. USE OF SETTINGS BELOW MINIMUM REQUIRED CRIMP HEIGHT SETTING WILL CAUSE DAMAGE TO CRIMP TOOLING.

-	2	2	2	2	2168083-1	SCR, SKT HD CAP, RoHS, M3 X 8.0	269
-	1	1	1	1	1633782-2	FENCE	267
-	-	1	-	-	2119957-2	APPLICATOR SHIM PACK	260
-	1	-	1	1	8-21084-0	O-RING, .676 ID, .070 DIA. MAT.	252
-	-	-	-	1	2119640-1	PUSH ROD, AIR FEED	250
-	-	-	-	1	2079988-1	BUSHING, LCH5-12, MISUMI	249
-	-	-	-	1	2119641-1	FEED CAM, AIR FEED	248
-	1	-	1	1	2119798-1	DETENT PIN	247
-	1	-	1	1	1-22279-3	SPRING, COMPRESSION	246
-	-	1	-	-	2119758-1	RAM, AMP STYLE, SIDE FEED, NON-ADJ.	245
-	1	1	1	1	2119082-3	CAM, SNAIL, INSULATION ADJUSTMENT	244
-77	-7	-6	-5	-2	PART NO	DESCRIPTION	ITEM NO

ATLANTIC VERSION
Shown on sheets 1 of 4 & 2 of 4
(Pacific version shown on sheets 3 of 4 & 4 of 4)

SET UP GAUGE	LOC	DIST	REVISIONS					
2119599-1	A	66	P	LTN	DESCRIPTION	DATE	OWN	APVD
			1		DEVELOPMENT	22SEP2014	JH	UG
			A		RELEASED	11NOV2014	JH	TE

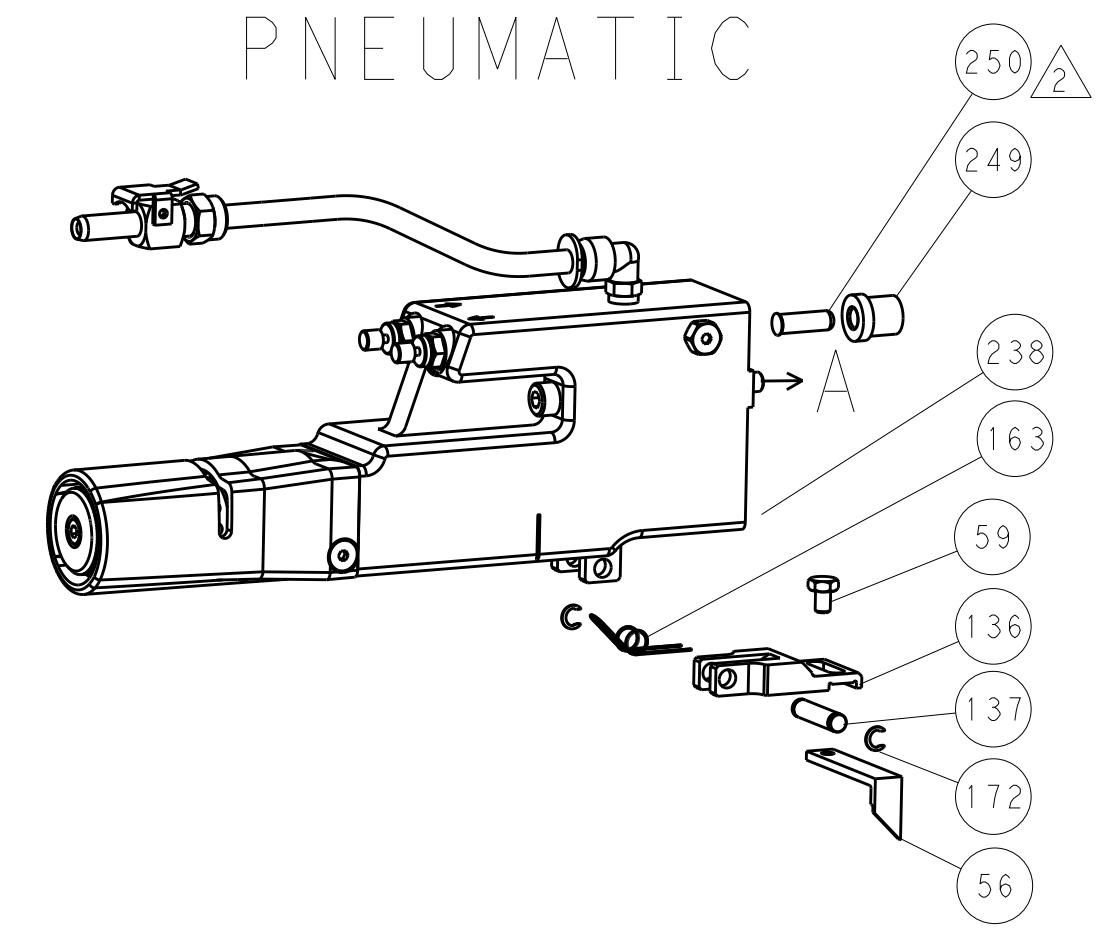
-	1	1	1	1	2079764-1	WASHER, WAVE SPRING, CREST-TO-CREST	243
-	1	1	1	1	2119083-1	RETAINER, INSULATION DIAL	242
-	1	1	1	1	7-18023-7	SCR, SKT HD CAP M3 X 4.0	241
-	-	2	2	-	2168400-6	SHCS, LOW HEAD, RoHS, M5 X 16	240
-	-	-	-	1	2063440-2	AIR FEED MODULE	238
-	-	1	1	-	2119740-2	TAG, IDENTIFICATION	213
-	-	1	1	-	1901094-3	SPACER, FEEDER	198
-	-	-	-	2	21045-3	RING, RETAIN, EXTERN, 3/16 CRESCENT	172
-	1	1	1	1	994969-1	MAGNET, RARE EARTH HIGH ENERGY	166
-	REF	REF	REF	REF	994970-2	COUNTER, MAGNETIC	164
-	-	-	-	1	240638-1	SPRING, FEED FINGER	163
-	-	-	-	1	3-23627-7	PIN, RETAIN, GRVD, 3/16 X .854	137
-	-	-	-	1	2119799-1	HOLDER, FEED FINGER, AF	136
-	-	REF	REF	-	SEE NOTE 4	MEMORY CHIP, PROGRAMMED	135
-	-	1	1	-	1633743-1	SERVO FEED LATCH ASM	133
-	-	REF	REF	-	2119944-1	FEED FINGER ASSEMBLY, SF	117
-	1	1	1	1	2119955-1	ASSY, LUBRICATOR, SIDE FEED	113
-	1	1	1	1	2-690438-2	FRONT STRIP GUIDE	96
-	2	2	2	2	2168083-1	SCR, SKT HD CAP, RoHS, M3 X 8.0	95
-	1	1	1	1	318563-1	GUARD, FRONT CHIP	89
-	1	1	1	1	455888-5	SPACER, CRIMPER	82
-	2	2	2	2	2079383-4	SCR, BHSC, RoHS (M4 X 8)	79
-	1	1	1	1	1803096-1	EXTENSION PLATE	78
-	1	1	1	1	2119956-1	DOCUMENTATION PACKAGE	71
-	1	-	-	1	2119740-1	TAG, IDENTIFICATION	67
-	2	2	2	2	2168078-1	SCREW, DRIVE, RH, RoHS, 2 x .188	66
-	1	-	-	1	2119793-1	LIMITER, ADJUSTMENT BOLT	63
-	3	-	3	3	992763-5	SCR, SET, SOC, CONE POINT, M3 X 4.0	62
-	2	2	2	2	2-18032-5	SCR, SET, FLT POINT M5 X 20.0	61
-	1	1	1	1	2079383-4	SCR, BHSC, RoHS (M4 X 8)	60
-	-	-	-	1	5-18022-5	SCR, HEX HD CAP, M4 X 6.0	59
-	-	-	-	1	1338683-8	FEED PAWL	56
-	4	4	4	4	2168400-1	SHCS, LOW HEAD, RoHS, M4 X 12	54
-	2	2	2	2	2168083-8	SCR, SKT HD CAP, RoHS, M4 X 16	53
-	1	1	1	1	5018030-1	NUT, HEX, REG, RoHS, M3	52
-	1	1	1	1	811242-5	BUMPER, HOLD DOWN	51
-	1	1	1	1	690753-2	SPACER, TONKER	50
-	-	-	-	1	18023-9	SCR, SKT HD CAP M4 X 6.0	49
-	1	1	1	1	2119656-9	APPLICATOR BASIC ASSEMBLY, SF	46
-	1	-	1	1	2119370-1	RAM, AMP STYLE, SIDE FEED	44
-	1	1	1	1	2079383-7	SCR, BHSC, RoHS (M8 X 25)	41
-	1	-	1	1	2119645-1	DISC, NUMBERED FA WIRE ADJUSTMENT	40
-	1	-	1	1	2119957-1	APPLICATOR SHIM PACK	39
-	1	1	1	1	1-2119644-3	RAM WASHER, PRECISION	38
-	1	1	1	1	2119085-1	FA HEAD, ATLANTIC STYLE	37
-	1	-	1	1	2119092-1	BOLT, ADJUSTMENT	35
-	1	1	1	1	1752356-3	SUPPORT, TERMINAL	34
-	2	2	2	2	2079383-5	SCR, BHSC, RoHS (M4 X 20)	33
-	1	1	1	1	2161328-1	HEX HEAD, FLANGED, M5 x 8mm LONG	32
-	1	1	1	1	1320908-2	SPACER, STRIP GUIDE	30
-	1	1	1	1	2119959-3	ASSEMBLY, STRIP GUIDE	29
-	1	1	1	1	455888-3	SPACER, CRIMPER	28
-	2	2	2	2	22281-8	SPRING, COMPRESSION	27
-	1	1	1	1	356835-1	LEVER, DRAG RELEASE	26
-	1	1	1	1	240792-2	DRAG, TERMINAL	25
-	1	1	1	1	1320928-4	STRIP GUIDE	24
-	1	1	1	1	980371-4	SCR, SKT HD SHLDR 5.0 DIA X 6.0	23
-	1	1	1	1	2168083-2	SCR, SKT HD CAP, RoHS, M4 X 8.0	21
-	1	1	1	1	1-18028-2	WASHER, FLAT, REG M4	20
-	1	1	1	1	2119533-1	STRIPPER, SIDE FEED	19
-	1	1	1	1	2119806-1	INSERT, SHEAR	13
-	1	1	1	1	3-22280-3	SPRING, COMPRESSION	12
-	1	1	1	1	1-356885-3	STOP, SHEAR	11
-	1	1	1	1	2119805-1	SHEAR HOLDER, FRONT	10
-	1	1	1	1	454276-5	FLOATING SHEAR, FRONT	9
-	1	1	1	1	2-1803056-2	ANVIL, COMBINATION	8
-	1	1	1	1	5-240641-0	SPACER	7
-	-	-	-	-	-	-	6
-	1	1	1	1	1-2119757-1	DEPRESSOR, SHEAR	5
-	1	1	1	1	2-238011-6	BLOCK, CRIMPER SPACER	4
-	1	1	1	1	4-1803016-4	CRIMPER, INSULATION F	3
-	1	1	1	1	455888-8	SPACER, CRIMPER	2
-	1	1	1	1	7-1633664-0	CRIMPER, WIRE	1
-77	-7	-6	-5	-2	PART NO	DESCRIPTION	ITEM NO

DIMENSIONS:		TOLERANCES UNLESS OTHERWISE SPECIFIED:		OWN	CHK	Y. YIN	APVD	U. GUO	DATE	NAME	SIZE	CAGE CODE	DRAWING NO	RESTRICTED TO
mm	0 PLC ±.5	1 PLC ±0.5	2 PLC ±0.13	3 PLC ±0.013	4 PLC ±0.001	ANGLES ±.0001			22SEP2014	Ocean Side Feed Applicator	A1	00779	2266481	Customer Accessible Production Drawing
											SCALE	1:2	SHEET 1 of 4	REV A

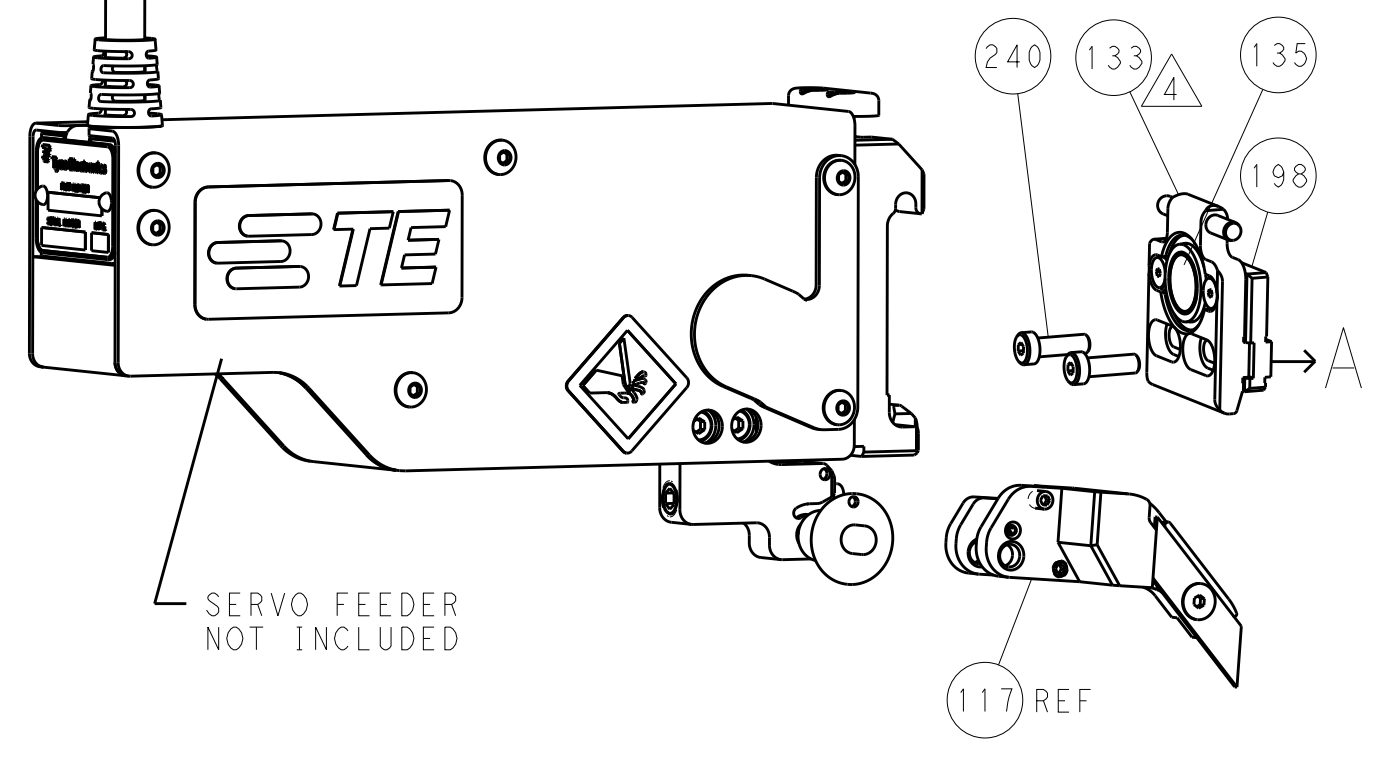
LOC		DIST		REVISIONS			
A	66	P	LTM	DESCRIPTION	DATE	OWN	APVD
-	-	-	-	SEE SHEET 1	-	-	-

FEED TYPE

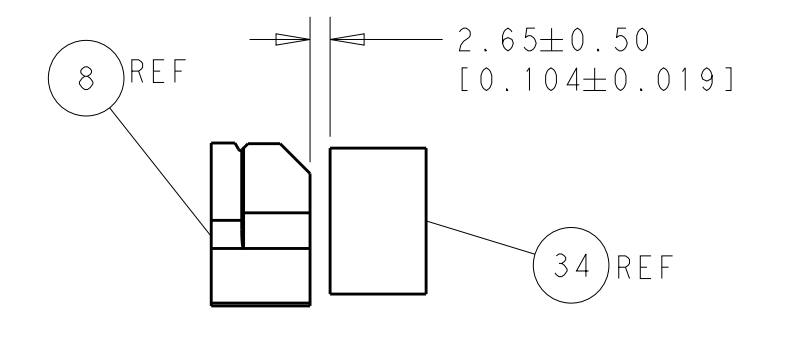
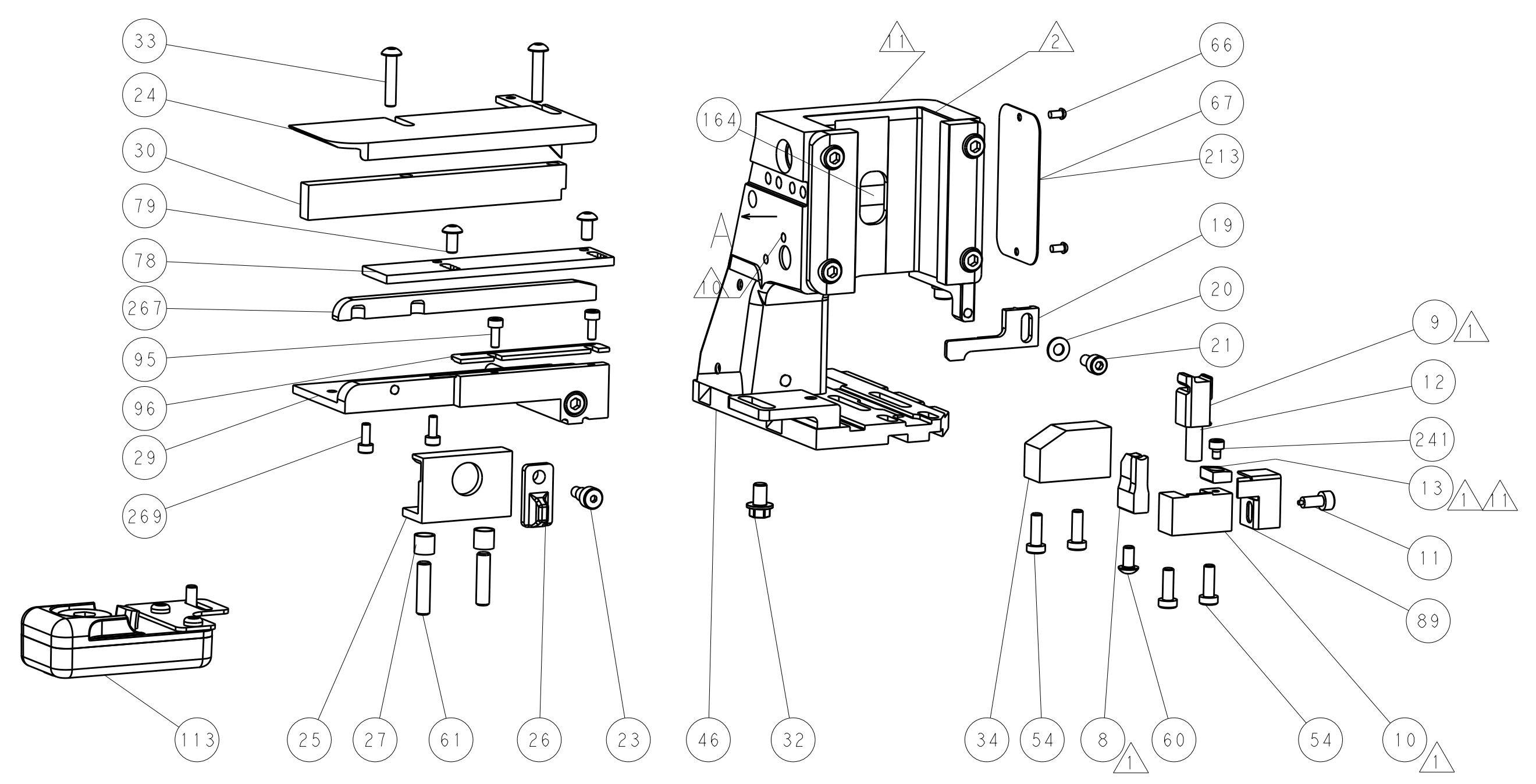
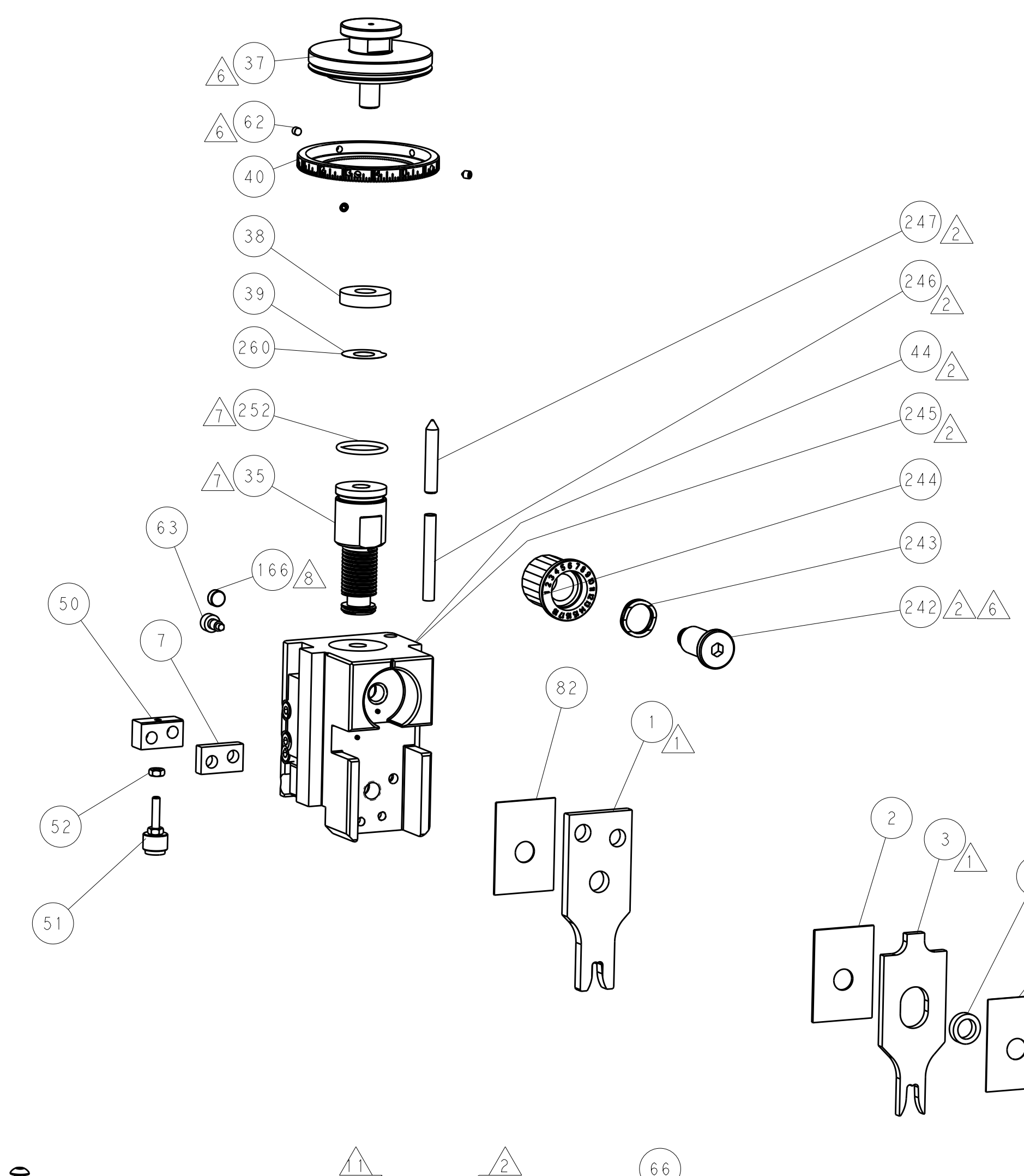
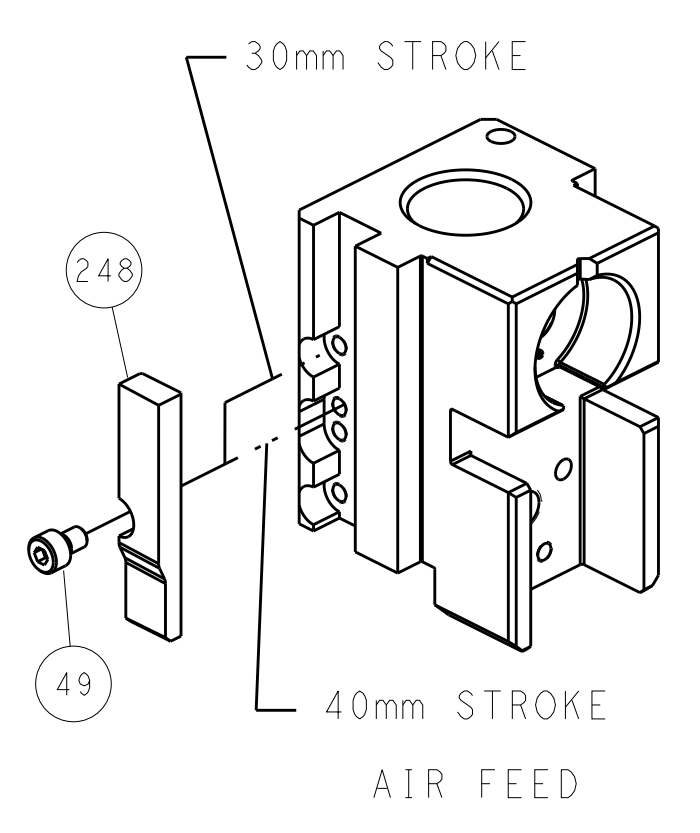
PNEUMATIC



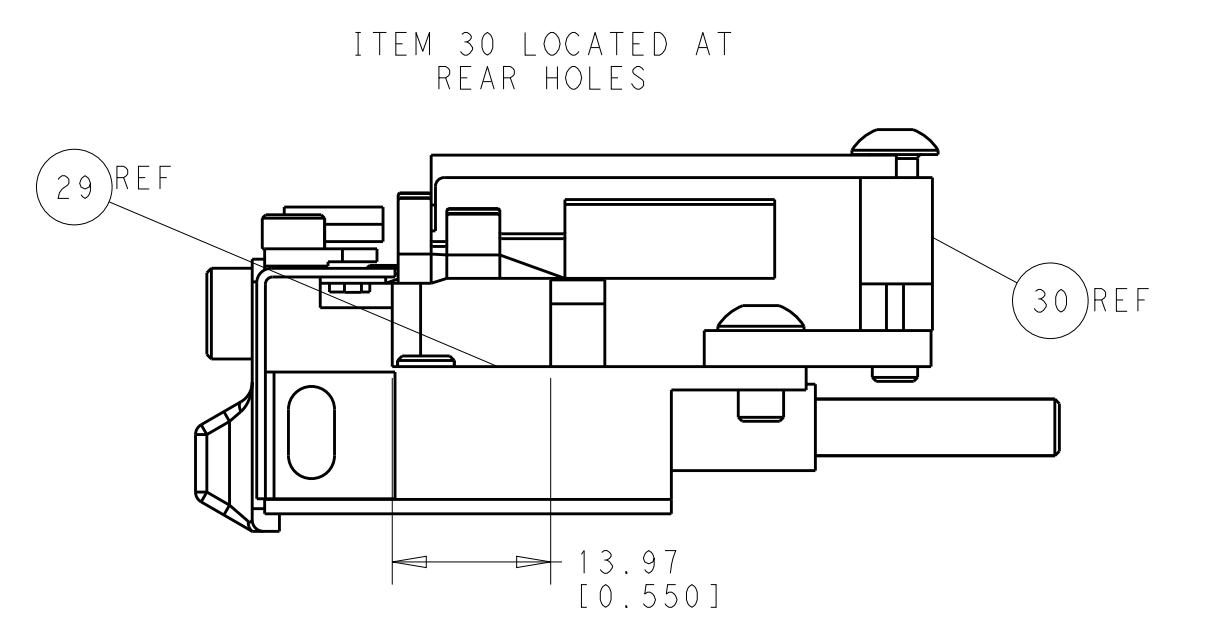
SERVO LATCH PLATE



CAM POSITION



TERMINAL SUPPORT LOCATION



FEED TRACK POSITION GUIDE BY INSULATION BARREL

ATLANTIC VERSION
 Shown on sheets 1 of 4 & 2 of 4
 (Pacific version shown on sheets 3 of 4 & 4 of 4)

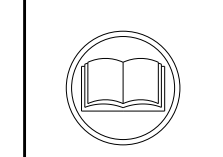
DIMENSIONS:		TOLERANCES UNLESS OTHERWISE SPECIFIED:		DWN J.HOU 22SEP2014		TE Connectivity	
mm	0 PLC ±0.5	1 PLC ±0.5	2 PLC ±0.13	3 PLC ±0.013	4 PLC ±0.001	APVD H.GUO 22SEP2014	TE Connectivity Harrisburg, PA 17105-3608
MATERIAL:		FINISH:		NAME Ocean Side Feed Applicator		RESTRICTED TO	
Customer Accessible Production Drawing		SCALE 1:2		SHEET 2 of 4		REV A	

PACIFIC VERSION TERMINATOR INTERFACE ADAPTER	PART NUMBER	REVISION	DESCRIPTION	FEED TYPE
	2-2266481-2	A	FINE CRIMP HEIGHT ADJUST	PNEUMATIC
	2-2266481-5	A	FINE CRIMP HEIGHT ADJUST	SERVO LATCH PLATE ⁴
	2-2266481-7	A	FINE CRIMP HEIGHT ADJUST	NONE
	7-2266481-7	A	CRIMP TOOLING KIT	-

APPLICATOR DATA		
CRIMP	SIZE	TYPE
WIRE	4.24 mm [1.67]	F
INSUL	5.15 mm [2.03]	F
APPLICATOR INSTRUCTIONS 408-10389		

TERMINAL DATA: G&H (LEAR) TERMINAL LEAR CRIMP SPECIFICATION			
TERMINAL NAME: TERMINAL			
WIRE STRIP LENGTH 6.40-6.60 mm [2.52-.260 IN]		INSULATION DIAMETER RANGE Ø 3.43-4.57 mm [1.35-.180 IN]	
TERMINAL APPLICATION SPECIFICATION	26880 Rev 3	-	-
TERMINALS APPLIED ¹⁰			
TE TERMINAL	G&H (LEAR) TERMINAL	TE TERMINAL	G&H (LEAR) TERMINAL
2113577-1	26880.000.001		

WIRE SIZE	CRIMP HEIGHT mm [INCH]	CRIMP HEIGHT REFERENCE SETTING
6.00mm ²	2.85 +/- 0.10 [1.12 +/- .004]	4.7
4.00mm ²	2.45 +/- 0.10 [1.096 +/- .004]	8.7



- ¹ RECOMMENDED SPARE PARTS
- ² GREASE BEARING SURFACES LIGHTLY
- 3. LUBRICATE DAILY PER THE APPLICATOR INSTRUCTION SHEET SUPPLIED WITH THE APPLICATOR.
- ⁴ APPLICATOR SPECIFIC DATA TO BE ENTERED INTO BLANK MEMORY CHIP AT ASSEMBLY. SEE BELOW FOR PART NUMBER:
PNEUMATIC FEED WITH "SMART APPLICATOR" CONVERSION: 8-2266481-4
SERVO FEED WITH "FINE CRIMP HEIGHT ADJUST": 8-2266481-5
- 5. ADJUSTMENT OF THE STRIPPER MAY BE REQUIRED WHEN MOVING THE APPLICATOR BETWEEN BENCH AND LEADMAKER APPLICATIONS.
- ⁶ APPLY PART NUMBER 1-23419-5 LOCTITE TO THREADS OF ITEMS 62.
APPLY PART NUMBER 2-23419-6 LOCTITE TO THREADS OF ITEM 242.
- ⁷ GREASE THREADS, GROOVE AND O-RING ON ITEMS 139 & 152.
- ⁸ MAGNET MUST BE ORIENTED CORRECTLY IN ORDER TO PROPERLY ACTUATE THE COUNTER.
- ⁹ CRIMP HEIGHT REFERENCE SETTING WAS THE SETTING USED WHEN THE APPLICATOR WAS QUALIFIED AT THE FACTORY. ADJUSTMENT MAY BE NECESSARY WHEN RUNNING APPLICATOR IN THE FIELD.
- ¹⁰ TERMINAL PITCH NOT COMPATIBLE WITH MECHANICAL FEED.
- ¹¹ TO CONVERT THE APPLICATOR TO A NON-CARRIER CUTTING STYLE, REMOVE ITEM 13 AND ATTACH TO THE LOCATION ON BACK SIDE OF THE HOUSING. REFER TO INSTRUCTION SHEET FOR ADDITIONAL INFORMATION.

***WARNING**
ON INSTALLATION, SET WIRE DISC, ITEM 40 TO LARGEST WIRE SIZE SETTING. USE OF SETTINGS BELOW MINIMUM REQUIRED CRIMP HEIGHT SETTING WILL CAUSE DAMAGE TO CRIMP TOOLING.

ITEM NO	DESCRIPTION	ITEM NO
-77	-27	-25
-22	PART NO	DESCRIPTION
2168083-1	SCR, SKT HD CAP, RoHS, M3 X 8.0	269
1633782-2	FENCE	267
2119782-1	FINE ADJUST HEAD ASM, PACIFIC STYLE	251
2119640-1	PUSH ROD, AIR FEED	250
2079988-1	BUSHING, LCH5-12, MISUMI	249
1-22279-3	SPRING, COMPRESSION	246
2119082-3	CAM, SNAIL, INSULATION ADJUSTMENT	244
2079764-1	WASHER, WAVE SPRING, CREST-TO-CREST	243
2119083-1	RETAINER, INSULATION DIAL	242

PACIFIC VERSION
Shown on sheets 3 of 4 & 4 of 4
(Atlantic version shown on sheets 1 of 4 & 2 of 4)

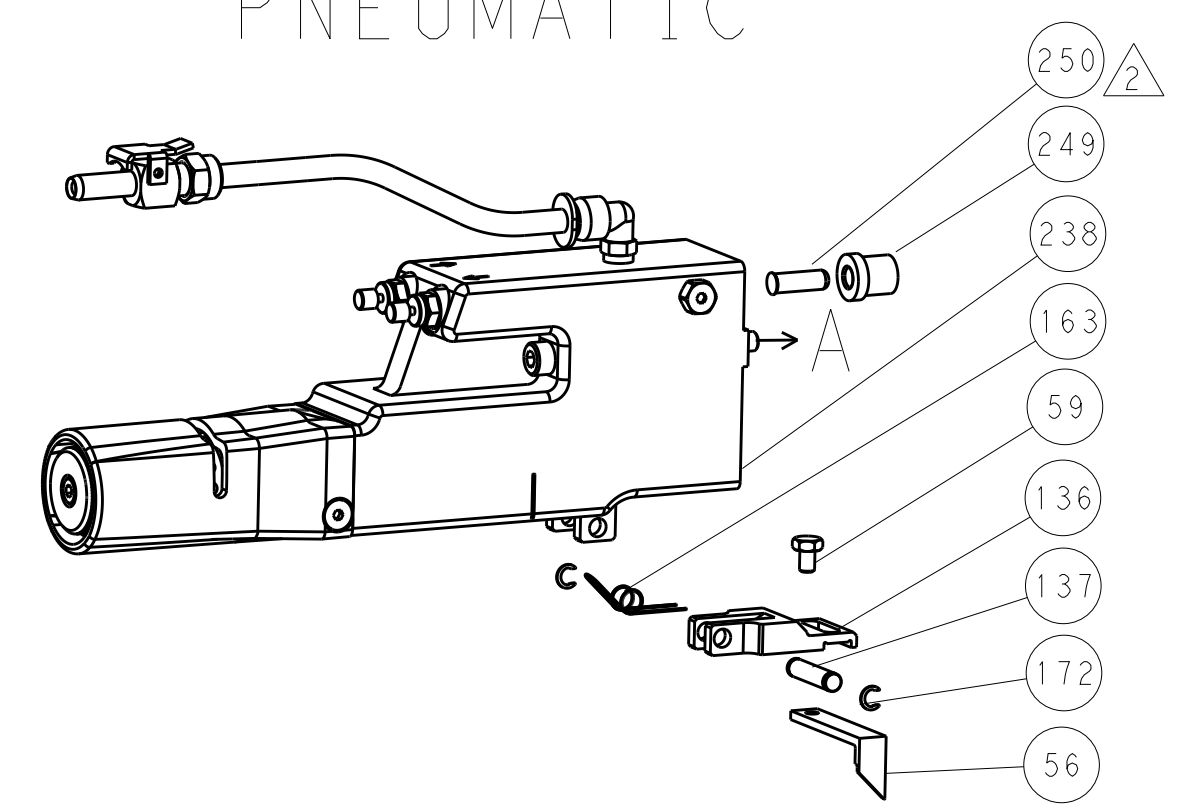
SET UP GAUGE	LOC	DIST	REVISIONS			
2119599-1	A	66	REV	DATE	BY	APPD
			-	SEE SHEET 1	-	-

REV	DATE	BY	APPD	DESCRIPTION	DATE	BY	APPD
-	1	1	1	7-18023-7	SCR, SKT HD CAP M3 X 4.0		241
-	-	2	-	2168400-6	SHCS, LOW HEAD, RoHS, M5 X 16		240
-	-	-	1	2063440-2	AIR FEED MODULE		238
-	-	-	1	2119740-2	TAG, IDENTIFICATION		213
-	-	-	1	1901094-3	SPACER, FEEDER		198
-	-	-	2	21045-3	RING, RETAIN, EXTERN, 3/16 CRESCENT		172
-	1	1	1	994969-1	MAGNET, RARE EARTH HIGH ENERGY		166
-	REF	REF	REF	994970-2	COUNTER, MAGNETIC		164
-	-	-	1	240638-1	SPRING, FEED FINGER		163
-	1	1	1	8-21084-1	O-RING, .801 ID, .070 DIA. MAT.		152
-	-	-	1	2119641-2	FEED CAM, AIR FEED		151
-	1	1	1	2119798-2	DETENT PIN		145
-	1	1	1	2079383-8	SCR, BHSC, RoHS (M4 X 16)		144
-	4	4	4	2168400-5	SHCS, LOW HEAD, RoHS, M4 X 20		143
-	1	1	1	1-2119656-0	APPLICATOR BASIC ASSEMBLY, SF		141
-	1	1	1	2119650-1	RAM, ASIAN STYLE, SIDE FEED		140
-	1	1	1	2119092-2	BOLT, ADJUSTMENT		139
-	-	-	1	3-23627-7	PIN, RETAIN, GRVD, 3/16 X .854		137
-	-	-	1	2119799-1	HOLDER, FEED FINGER, AF		136
-	-	REF	-	SEE NOTE 4	MEMORY CHIP, PROGRAMMED		135
-	-	1	-	1633743-1	SERVO FEED LATCH ASM		133
-	-	REF	-	2119944-1	FEED FINGER ASSEMBLY, SF		117
-	1	1	1	2119955-1	ASSY, LUBRICATOR, SIDE FEED		113
-	1	1	1	2-690438-2	FRONT STRIP GUIDE		96
-	2	2	2	2168083-1	SCR, SKT HD CAP, RoHS, M3 X 8.0		95
-	1	1	1	318563-1	GUARD, FRONT CHIP		89
-	1	1	1	455888-5	SPACER, CRIMPER		82
-	2	2	2	2079383-4	SCR, BHSC, RoHS (M4 X 8)		79
-	1	1	1	1803096-1	EXTENSION PLATE		78
-	1	1	1	2119956-1	DOCUMENTATION PACKAGE		71
-	1	-	1	2119740-1	TAG, IDENTIFICATION		67
-	2	2	2	2168078-1	SCREW, DRIVE, RH, RoHS, 2 x .188		66
-	1	1	1	2119793-1	LIMITER, ADJUSTMENT BOLT		63
-	3	3	3	992763-5	SCR, SET, SOC, CONE POINT, M3 x 4.0		62
-	2	2	2	2-18032-5	SCR, SET, FLT POINT M5 X 20.0		61
-	-	-	1	5-18022-5	SCR, HEX HD CAP, M4 X 6.0		59
-	-	-	1	1338683-8	FEED PAWL		56
-	2	2	2	2168083-8	SCR, SKT HD CAP, RoHS, M4 X 16		53
-	1	1	1	5018030-1	NUT, HEX, REG, RoHS, M3		52
-	1	1	1	811242-5	BUMPER, HOLD DOWN		51
-	1	1	1	690753-2	SPACER, TONKER		50
-	-	-	1	18023-9	SCR, SKT HD CAP M4 X 6.0		49
-	1	1	1	2079383-7	SCR, BHSC, RoHS (M8 X 25)		41
-	1	1	1	2119645-1	DISC, NUMBERED FA WIRE ADJUSTMENT		40
-	1	1	1	2119957-1	APPLICATOR SHIM PACK		39
-	1	1	1	1-2119644-3	RAM WASHER, PRECISION		38
-	1	1	1	1752356-3	SUPPORT, TERMINAL		34
-	2	2	2	2079383-5	SCR, BHSC, RoHS (M4 X 20)		33
-	1	1	1	2161328-1	HEX HEAD, FLANGED, M5 x 8mm LONG		32
-	1	1	1	1320908-2	SPACER, STRIP GUIDE		30
-	1	1	1	2119959-3	ASSEMBLY, STRIP GUIDE		29
-	1	1	1	455888-3	SPACER, CRIMPER		28
-	2	2	2	22281-8	SPRING, COMPRESSION		27
-	1	1	1	356835-1	LEVER, DRAG RELEASE		26
-	1	1	1	240792-2	DRAG, TERMINAL		25
-	1	1	1	1320928-4	STRIP GUIDE		24
-	1	1	1	980371-4	SCR, SKT HD SHLDR 5.0 DIA X 6.0		23
-	1	1	1	2168083-2	SCR, SKT HD CAP, RoHS, M4 X 8.0		21
-	1	1	1	1-18028-2	WASHER, FLAT, REG M4		20
-	1	1	1	2119533-1	STRIPPER, SIDE FEED		19
-	1	1	1	2119806-1	INSERT, SHEAR		13
-	1	1	1	3-22280-3	SPRING, COMPRESSION		12
-	1	1	1	1-356885-3	STOP, SHEAR		11
-	1	1	1	2119805-1	SHEAR HOLDER, FRONT		10
-	1	1	1	454276-5	FLOATING SHEAR, FRONT		9
-	1	1	1	2-1803056-2	ANVIL, COMBINATION		8
-	1	1	1	5-240641-0	SPACER		7
-	-	-	-	-	-		6
-	1	1	1	1-2119757-1	DEPRESSOR, SHEAR		5
-	1	1	1	2-238011-6	BLOCK, CRIMPER SPACER		4
-	1	1	1	4-1803016-4	CRIMPER, INSULATION F		3
-	1	1	1	455888-8	SPACER, CRIMPER		2
-	1	1	1	7-1633664-0	CRIMPER, WIRE		1

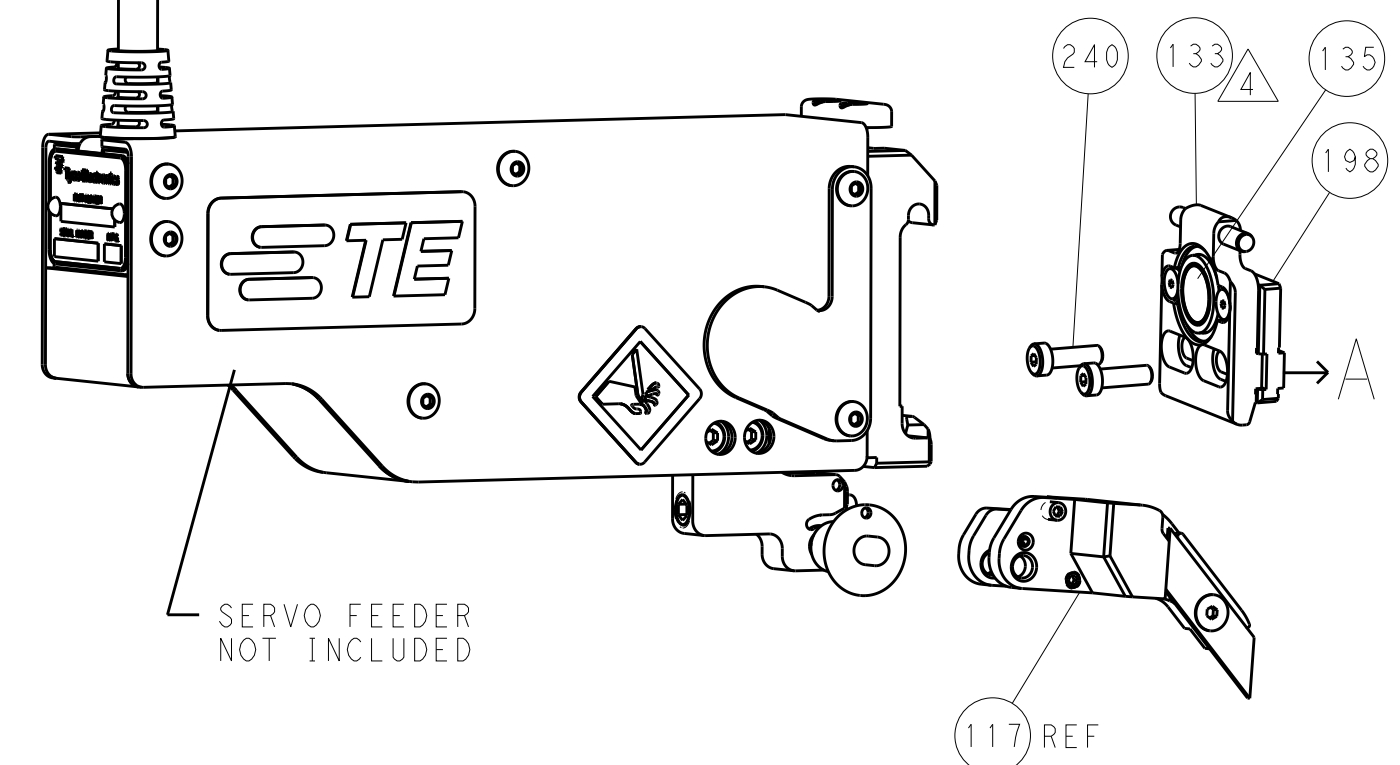
DIMENSIONS:		TOLERANCES UNLESS OTHERWISE SPECIFIED:		DATE	
mm	0 PLC ±.5	1 PLC ±0.5	2 PLC ±0.13	3 PLC ±0.013	4 PLC ±0.0001
	ANGLES ±.0001				
MATERIAL:		FINISH:		WEIGHT:	
				A1 00779	
				Customer Accessible Production Drawing	
				SCALE 1:2 SHEET 3 OF 4 REV A	

LOC		DIST		REVISIONS			
A	66	P	LTM	DESCRIPTION	DATE	OWN	APVD
		-		SEE SHEET 1			

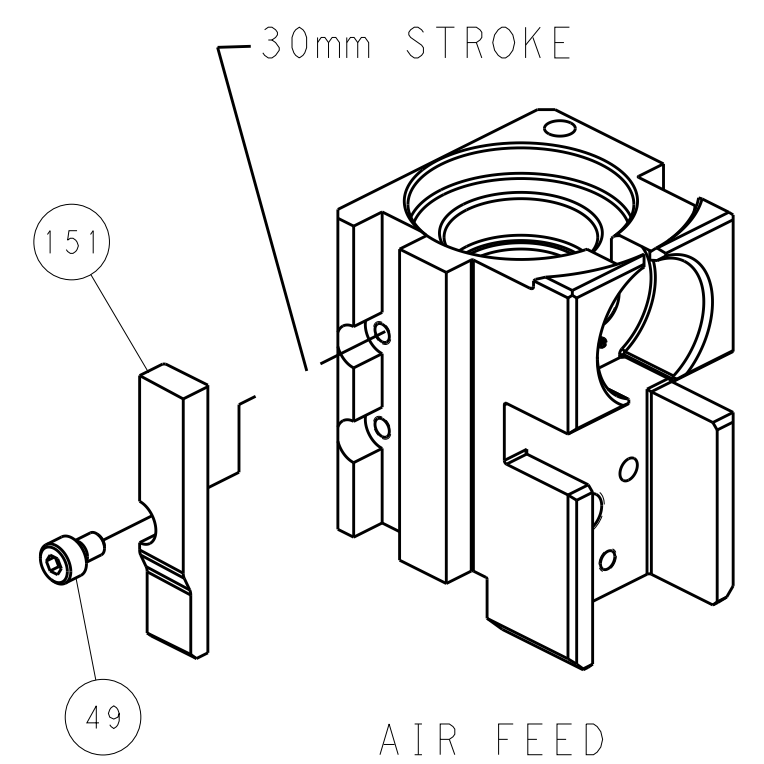
FEED TYPE PNEUMATIC



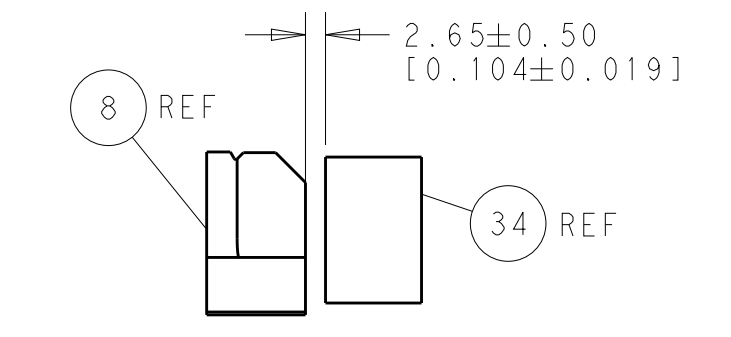
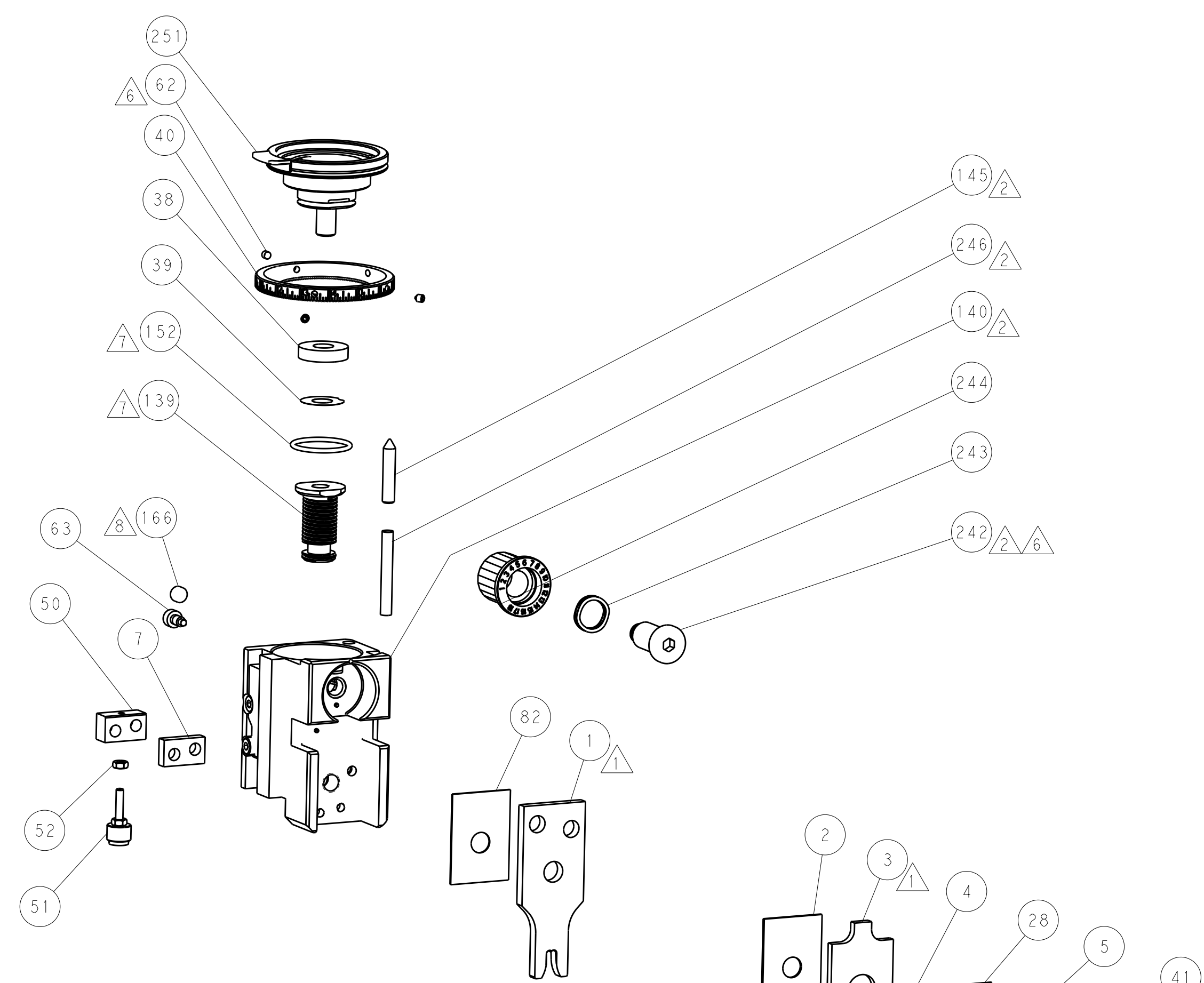
SERVO LATCH PLATE



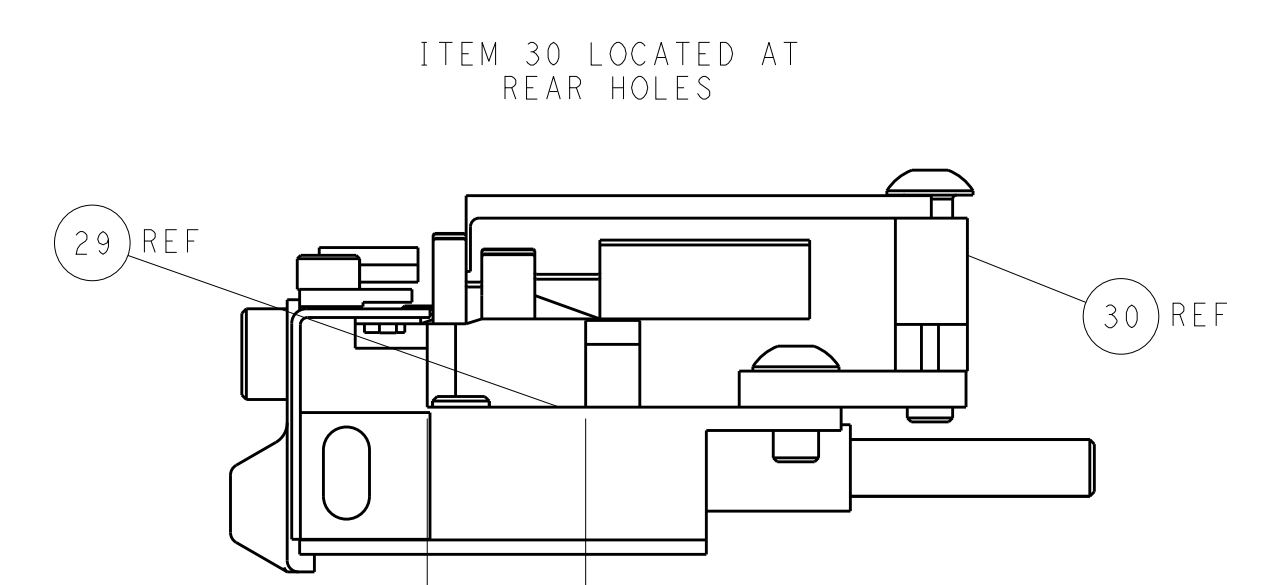
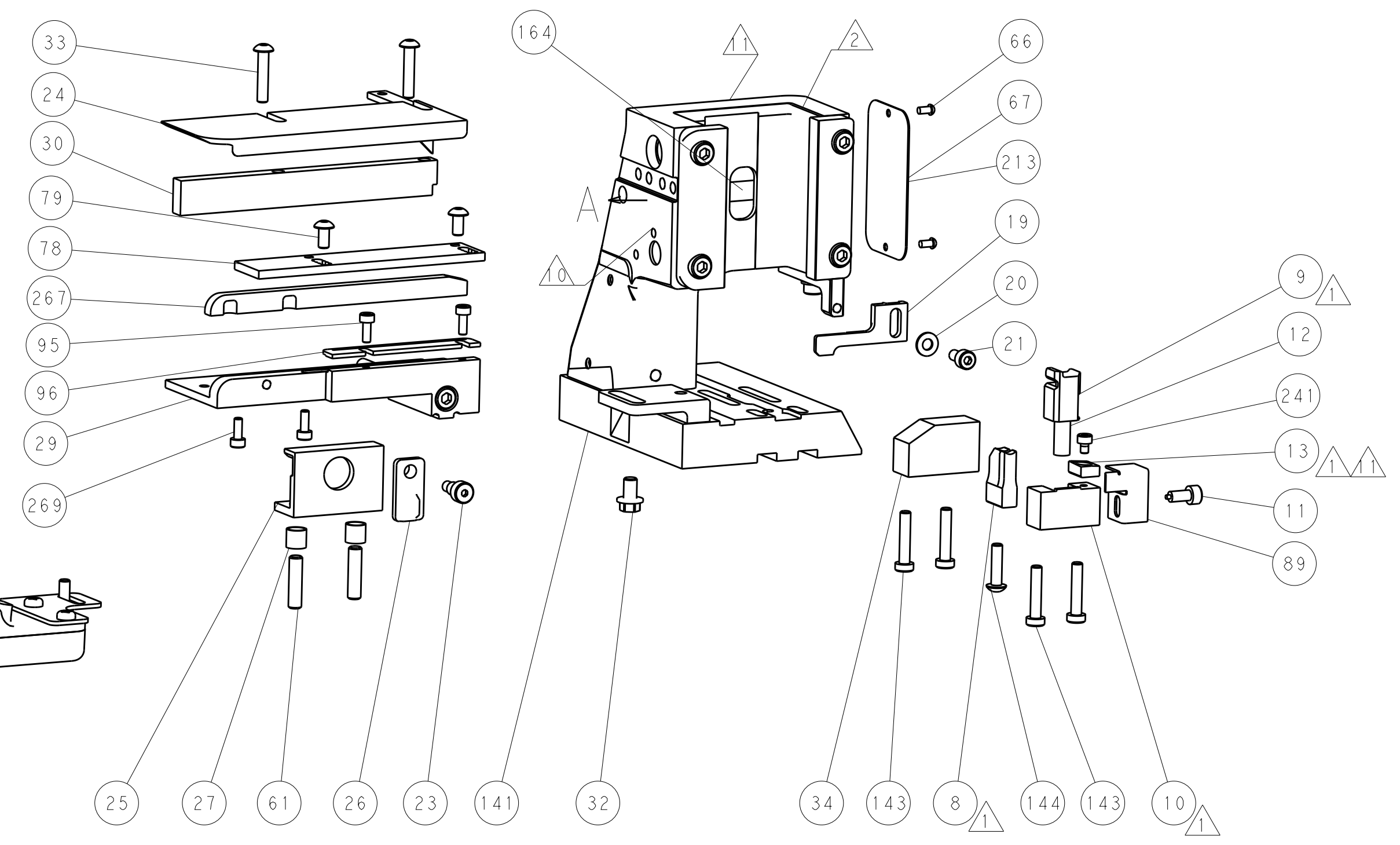
CAM POSITION



AIR FEED



TERMINAL SUPPORT LOCATION



FEED TRACK POSITION
GUIDE BY INSULATION BARREL

PACIFIC VERSION
 Shown on sheets 3 of 4 & 4 of 4
 (Atlantic version shown on sheets 1 of 4 & 2 of 4)

DIMENSIONS:		TOLERANCES UNLESS OTHERWISE SPECIFIED:		DWG: J.HOU 22SEP2014		REV: Y.YIN 22SEP2014		NAME: Ocean Side Feed Applicator	
mm	0 PLC ±0.5	1 PLC ±0.5	2 PLC ±0.13	3 PLC ±0.013	4 PLC ±0.001	ANGLES ±0.001	FINISH	SIZE: A1	CAGE CODE: 00779
MATERIAL:								SCALE: 1:2	SHEET: 4 OF 4
Customer Accessible Production Drawing								RESTRICTED TO:	REV: A