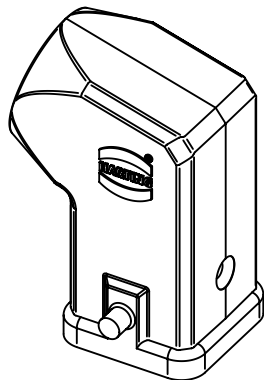
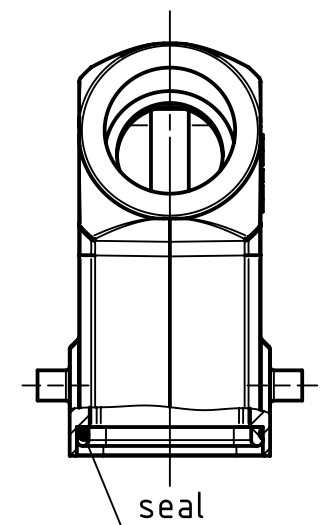
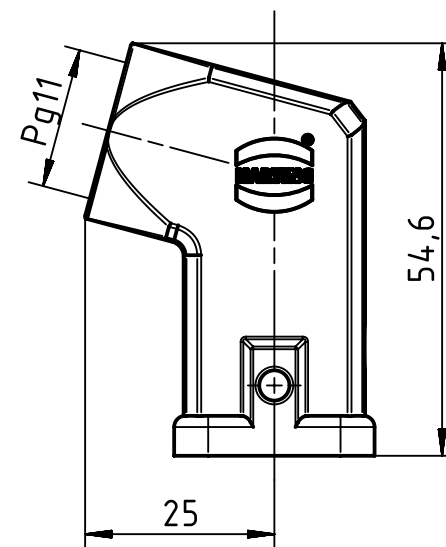
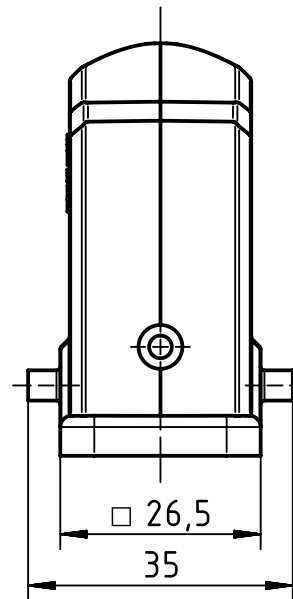
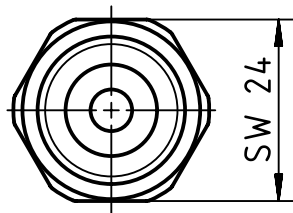
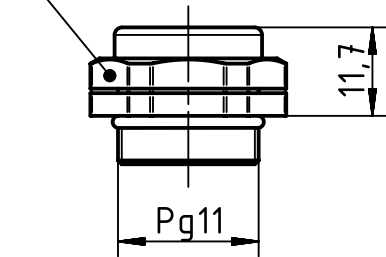



cable entry protection 09000005182
is in range of delivery



with sealing

	All rights reserved Department EL PD - DE	All Dimensions in mm Original Size DIN A4		Scale 1:1	Free size tol.	Ref.
		HARTING Electric GmbH & Co. KG D-32339 Espelkamp	Created by PRIESTER	Inspected by BERGHORN	Standardisation TIEMANNA	Date 2014-05-14
Title Han A Hood Top Angled Entry PG11 for Han						Doc-Key / ECM-Nr. 100087099/UGD/003/A 500000074473
Type TB				Number 09 20 003 0623		Rev. A
						Page 1/1