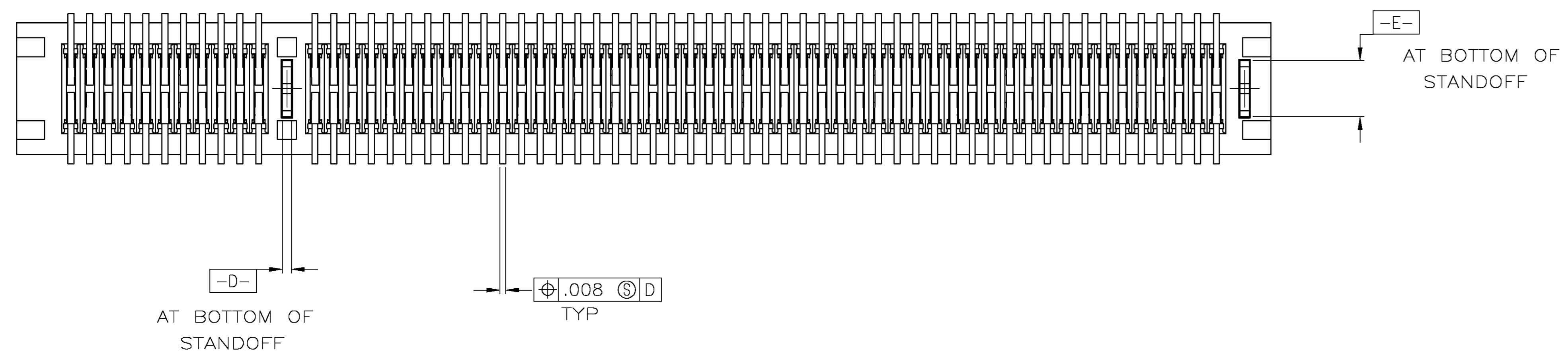
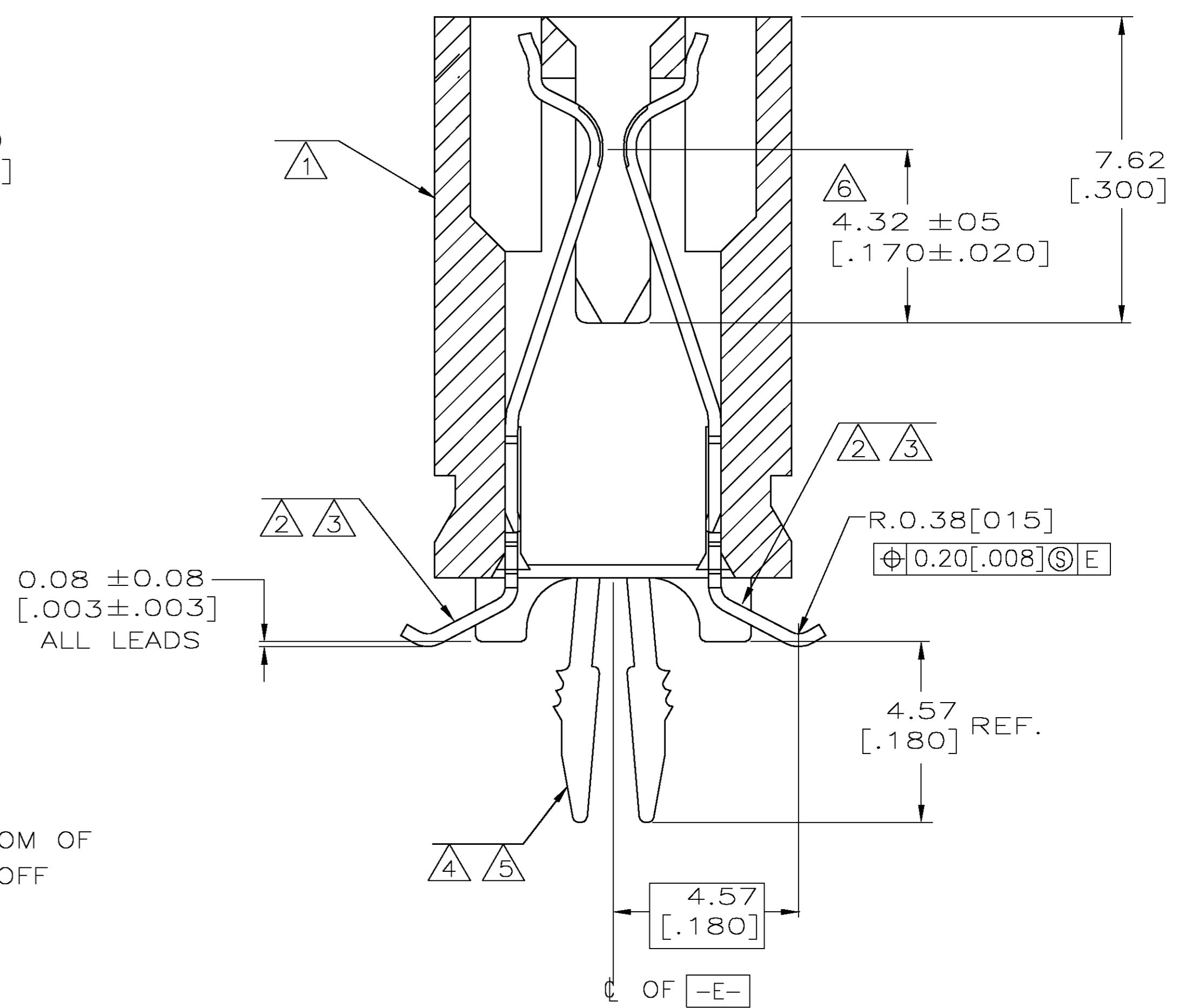
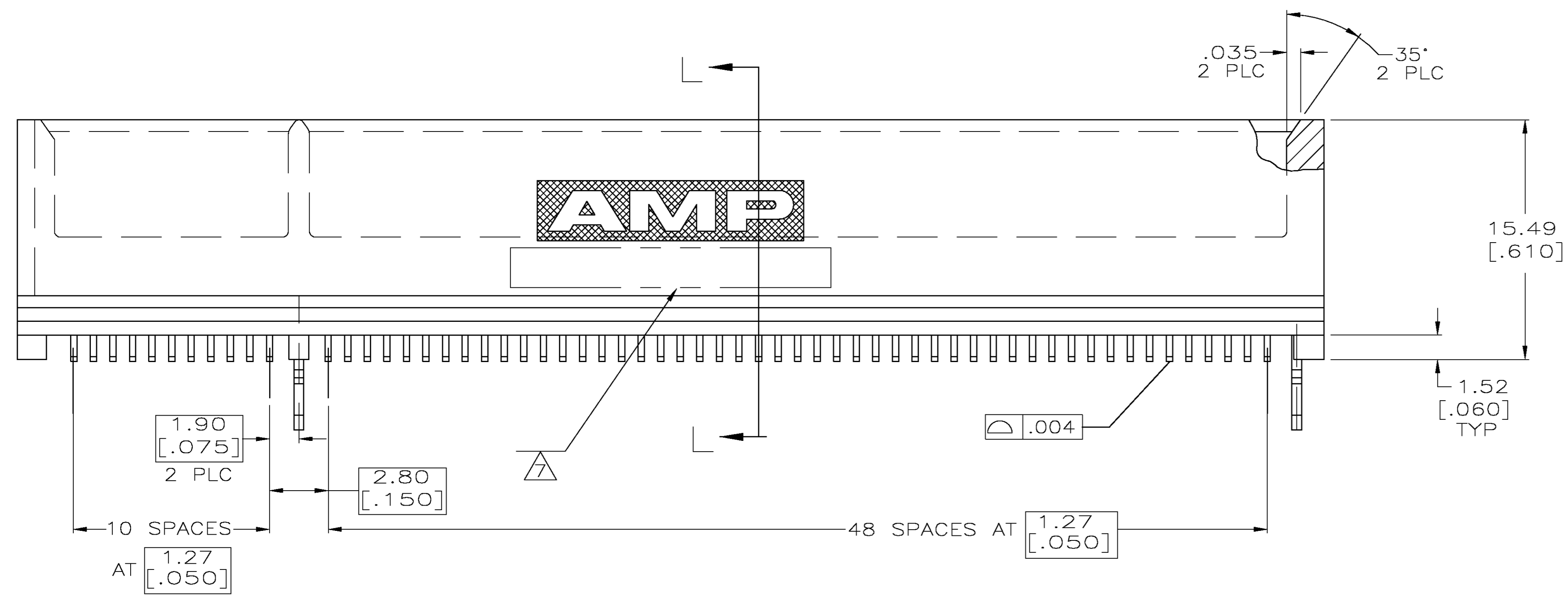
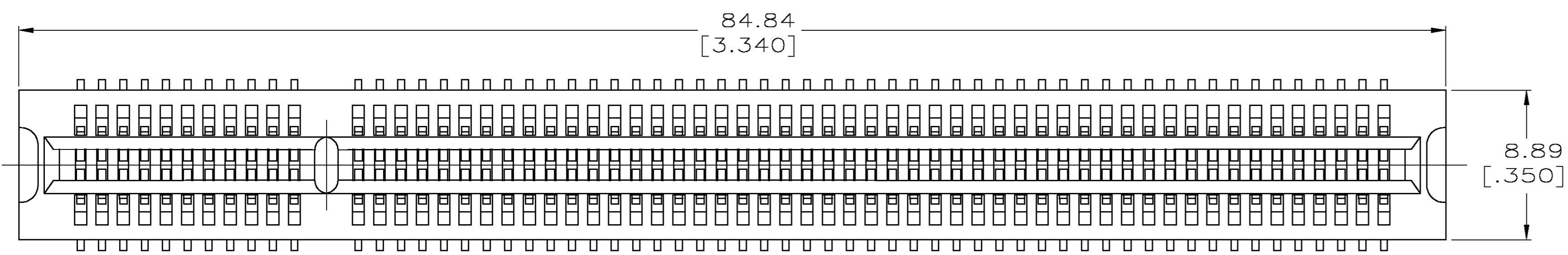


LOC		DIST		REVISIONS			
F	LTR	DESCRIPTION	DATE	DRN	APVD		
B		REVISED PER EC 0515-0122-05	06 JUN 05	AWF	AWF		

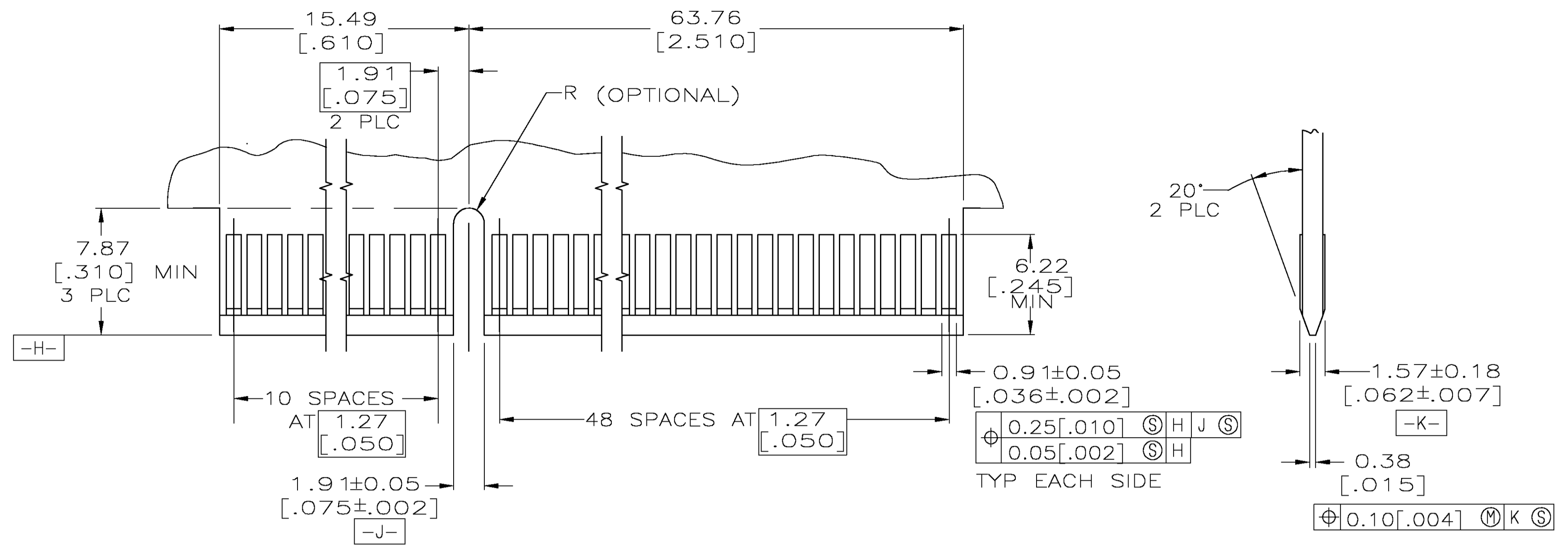
- ① HOUSING: HIGH TEMPERATURE THERMOPLASTIC.
- ② CONTACT: PHOSPHOR BRONZE.
- ③ CONTACT FINISH: .000100 MIN NICKEL ALL OVER.  
.000030 MIN GOLD OVER NICKEL IN CONTACT AREA.  
.000100 MIN MATTE TIN OVER NICKEL ON SOLDER TAILS.
- ④ METAL HOLD DOWN: BRASS
- ⑤ METAL HOLD DOWN FINISH: .000050 MIN NICKEL ALL OVER,  
.000150 MIN MATTE TIN ALL OVER.
- ⑥ DISTANCE FROM CONTACT POINT TO BOTTOM OF CARD SLOT.
- ⑦ AMP PART NUMBER, DATE CODE AND CSA LOGO MARKED IN APPROXIMATE AREA SHOWN.



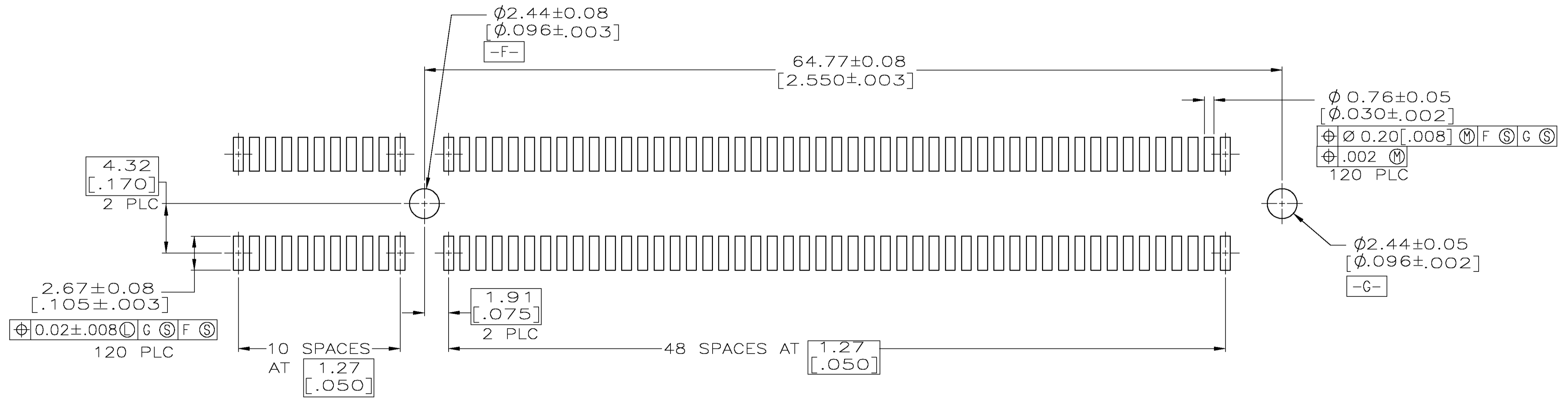
SECTION L-L  
SCALE 8:1

1761842-1 AS SHOWN

THIS DRAWING IS A CONTROLLED DOCUMENT.		DRN AL FRANTUM 30 MAR 05	Tyco Electronics Corporation Harrisburg, Pa 17105-3608
DIMENSIONS: mm		APVD AL FRANTUM	
TOLERANCES UNLESS OTHERWISE SPECIFIED:		PRODUCT SPEC 108-14034	NAME CONNECTOR ASSEMBLY, 60 DUAL POSITION, .050 SERIEIS, STANDARD EDGE, SURFACE MOUNT
0 PLC ± - 1 PLC ± - 2 PLC ± 0.13[.005] 3 PLC ± - 4 PLC ± - ANGLES ± 7 FINISH		APPLICATION SPEC 114-13148	RESTRICTED TO
MATERIAL		SIZE A1	CAGE CODE 00779
① ② ③ ④ ⑤ ⑥ ⑦		DRAWING NO 1761842	SCALE 5:1 SHEET 1 OF 2 REV B
CUSTOMER DRAWING			



RECOMMENDED MATING BOARD EDGE CONFIGURATION



RECOMMENDED PC BOARD PATTERN  
(CONNECTOR SIDE SHOWN)

THIS DRAWING IS A CONTROLLED DOCUMENT.		DIN AL FRANTUM 30 MAR 05		Tyco Electronics Corporation Harrisburg, Pa 17105-3608	
DIMENSIONS: mm		CIK AL FRANTUM 30 MAR 05		NAME	CONNECTOR ASSEMBLY, 60 DUAL POSITION, .050 SERIEIS, STANDARD EDGE, SURFACE MOUNT
TOLERANCES UNLESS OTHERWISE SPECIFIED:		APVD	PRODUCT SPEC	108-14034	
0 PLC ± -			APPLICATION SPEC	114-13148	
1 PLC ± -			SIZE	A1	
2 PLC ± 0.13[.005]			WEIGHT	00779 C=1761842	
3 PLC ± -			CUSTOMER DRAWING	SCALE 5:1 SHEET 2 OF 2 REV B	
4 PLC ± -					
ANGLES ± -					
FINISH					