

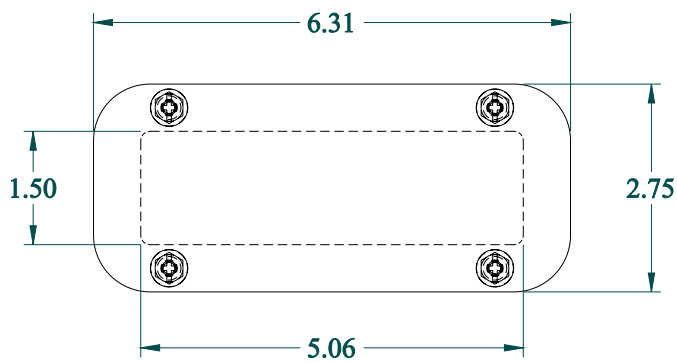
PART No. **GP063LG**

for more information visit

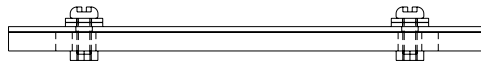
www.hammfg.com

Data subject to change without notice

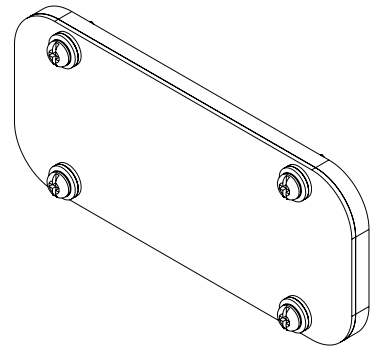
Isometric drawing Not to Scale



FRONT VIEW



BOTTOM VIEW



ISOMETRIC VIEW