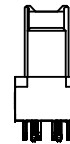
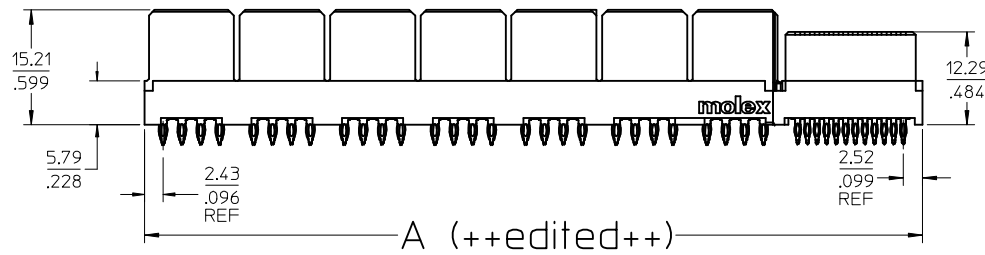
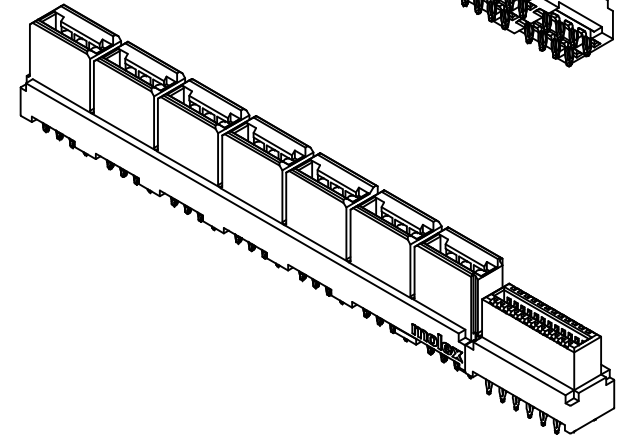


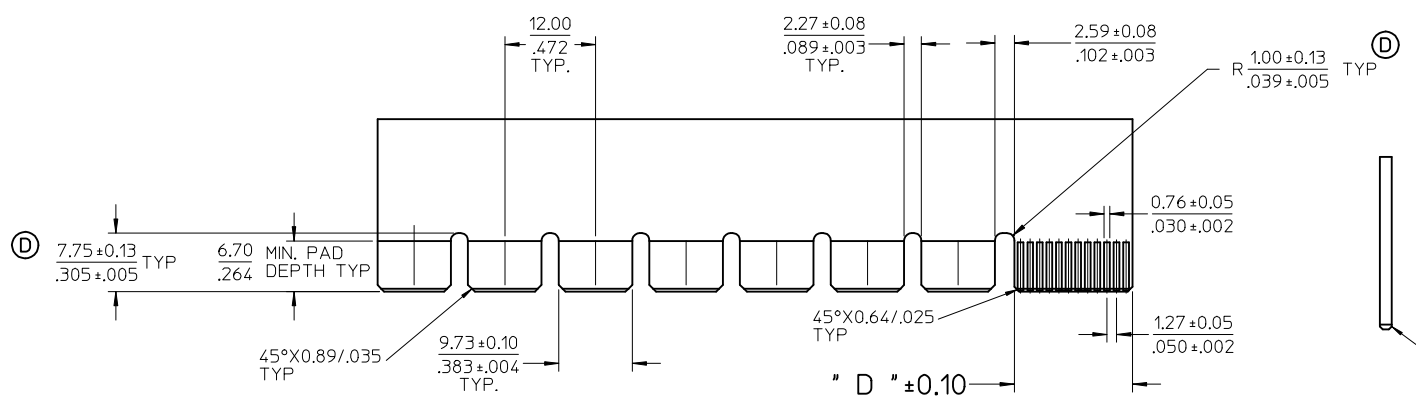
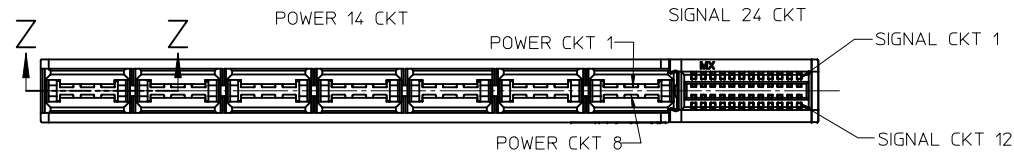
MATERIAL # 46114-1425  
SHOWN



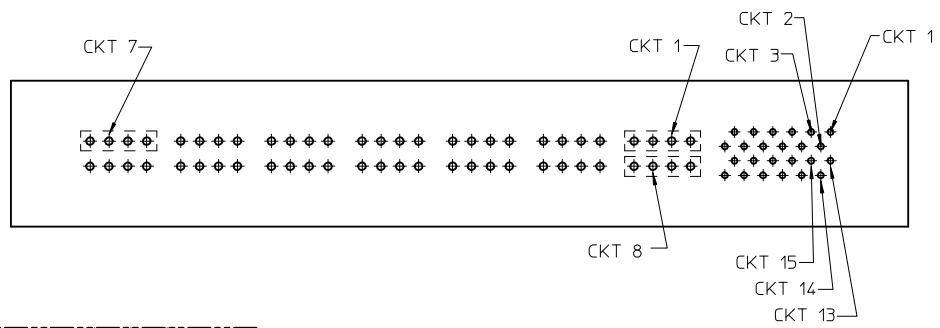
NO OF SIGNALS	MATERIAL NUMBER	COMPLIANT PIN PLATING	DIM A	DIM B	DIM C
12	46114-1413	TIN	95.34/3.754	95.84/3.773	2.69/1.06
16	46114-1417	TIN	97.88/3.854	98.38/3.873	
20	46114-1421	TIN	100.42/3.954	100.92/3.973	
24	46114-1425	TIN	102.96/4.054	103.46/4.073	
28	46114-1429	TIN	105.50/4.154	106.00/4.173	
32	46114-1433	TIN	108.04/4.254	108.54/4.273	
36	46114-1437	TIN	110.58/4.354	111.04/4.373	
40	46114-1441	TIN	113.12/4.454	113.62/4.473	

SEE SHEET 1 EC NO: UCP2015-0571 DRAWN: BANDURA 2015/03/11 CHKD: APPR: APATEL 2015/04/20	QUALITY SYMBOLS DESCRIPTION	GENERAL TOLERANCES (UNLESS SPECIFIED)		DIMENSION STYLE	SCALE	DESIGN UNITS	THIRD ANGLE PROJECTION
				MM/IN	2:1	METRIC	
				DRAWN BY: MKARADIMAS DATE: 2007/07/18	TITLE: LPH VERTICAL RECEPTACLE COMPLIANT PIN ASSEMBLY 14CKT PWR CON, PRESS FIT		
				CHECKED BY: APATEL DATE: 2007/07/20	APPROVED BY: JCOMERC I DATE: 2009/12/03		
		ANGULAR ±1/2°		MATERIAL NO. SEE CHART		DOCUMENT NO. SD-46114-140	
		DRAFT WHERE APPLICABLE MUST REMAIN WITHIN DIMENSIONS		SIZE C		SHEET NO. 2 OF 3	
THIS DRAWING CONTAINS INFORMATION THAT IS PROPRIETARY TO MOLEX INCORPORATED AND SHOULD NOT BE USED WITHOUT WRITTEN PERMISSION							

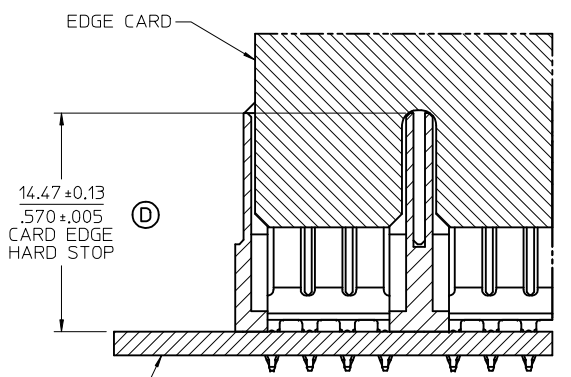
NO OF SIGNAL	DIM. D
12	8.00/.315
16	10.54/.415
20	13.08/.515
24	15.62/.615
28	18.16/.715
32	20.70/.815
36	23.24/.915
40	25.78/1.015



RECOMMENDED EDGE CARD LAYOUT  
EDGE CARD THICKNESS: 1.57/.062 ± 0.15/.006  
PLATING: GOLD 30 μ INCHES MIN.  
OVER 150 μ INCHES NICKEL.



PCB LAYOUT: COMPONENT SIDE  
SEE SHT 1 FOR DIMENSIONS



SECTION Z-Z  
SCALE 4:1

<b>SEE SHEET 1</b> EC NO: UCP2015-0571 DRAWN: BANDURA 2015/03/11 CHKD: APPR: APATEL 2015/04/20	QUALITY SYMBOLS	GENERAL TOLERANCES (UNLESS SPECIFIED)	DIMENSION STYLE MM/IN	SCALE 2:1	DESIGN UNITS METRIC	THIRD ANGLE PROJECTION															
		<table border="1"> <tr> <th></th> <th>mm</th> <th>INCH</th> </tr> <tr> <td>4 PLACES</td> <td>± .010</td> <td>± .004</td> </tr> <tr> <td>3 PLACES</td> <td>± .010</td> <td>± .004</td> </tr> <tr> <td>2 PLACES</td> <td>± 0.25</td> <td>± .010</td> </tr> <tr> <td>1 PLACE</td> <td>± .010</td> <td>± .004</td> </tr> </table>		mm	INCH	4 PLACES	± .010	± .004	3 PLACES	± .010	± .004	2 PLACES	± 0.25	± .010	1 PLACE	± .010	± .004	DRAWN BY: MKARADIMAS DATE: 2007/07/18 CHECKED BY: APATEL DATE: 2007/07/20 APPROVED BY: JCOMERC I DATE: 2009/12/03	TITLE	LPH VERTICAL RECEPTACLE COMPLIANT PIN ASSEMBLY 14CKT PWR CON, PRESS FIT	
		mm	INCH																		
	4 PLACES	± .010	± .004																		
3 PLACES	± .010	± .004																			
2 PLACES	± 0.25	± .010																			
1 PLACE	± .010	± .004																			
	ANGULAR ±1/2°	DRAFT WHERE APPLICABLE MUST REMAIN WITHIN DIMENSIONS	SEE CHART	MOLEX INCORPORATED		SHEET NO. 3 OF 3															
				DOCUMENT NO. SD-46114-140																	