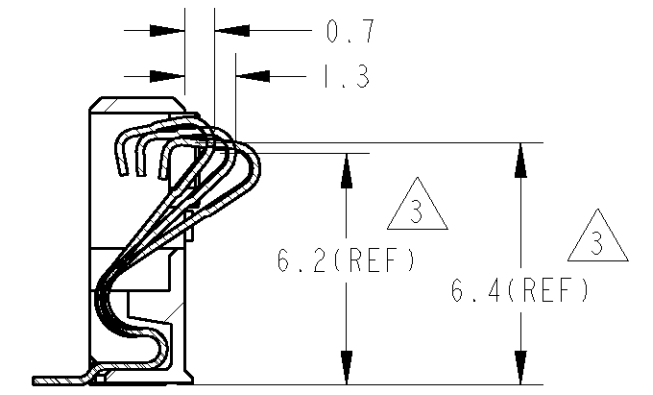
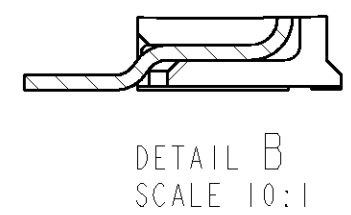
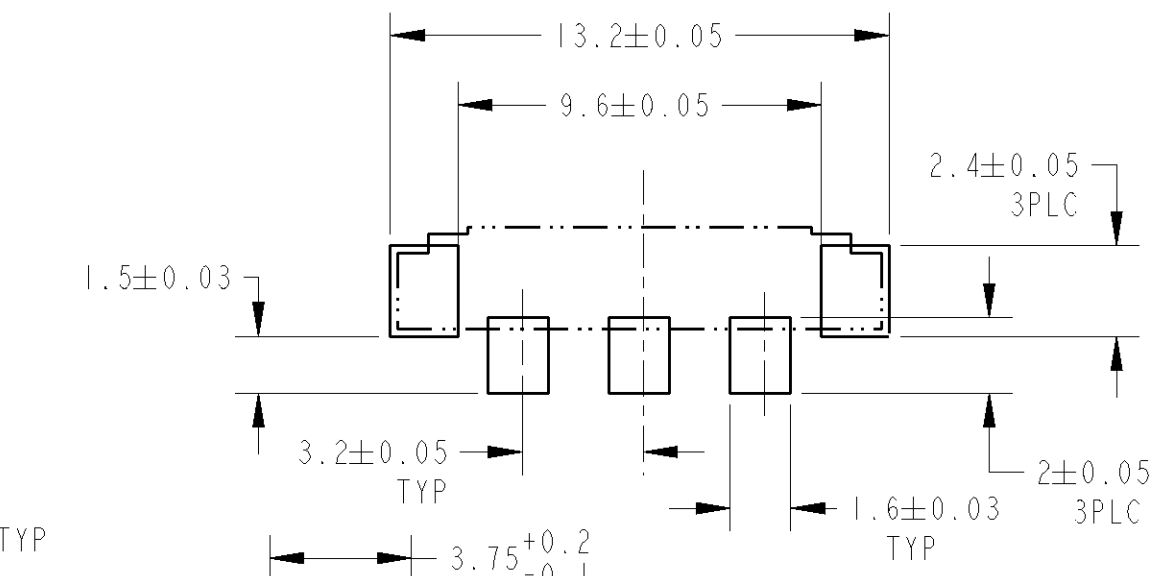
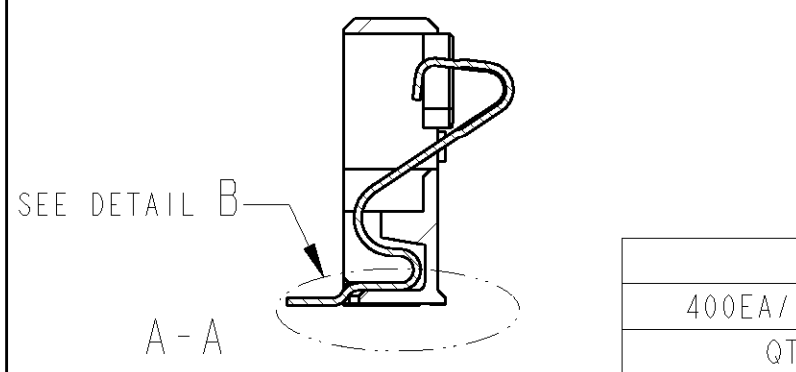
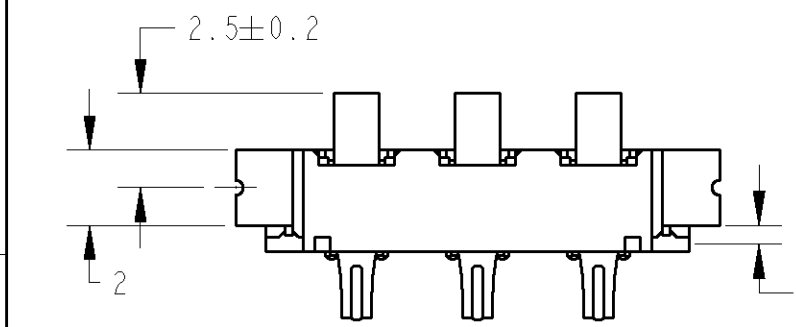
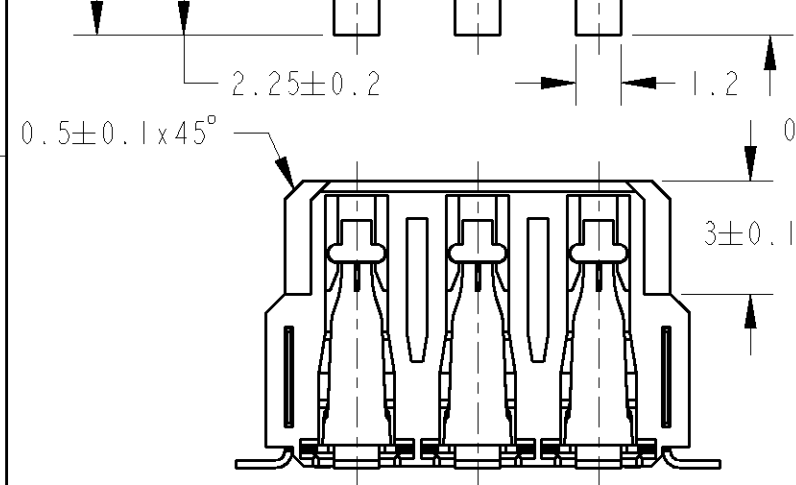
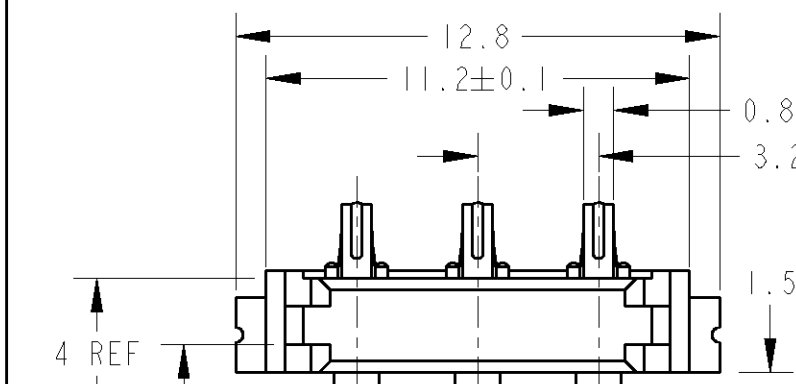
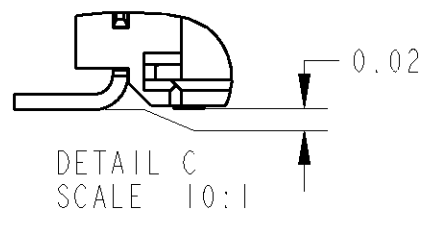


THIS DRAWING IS UNPUBLISHED. RELEASED FOR PUBLICATION
 © COPYRIGHT 20 BY TYCO ELECTRONICS CORPORATION. ALL RIGHTS RESERVED.

LOC	DIST	REVISIONS					
		P	LTR	DESCRIPTION	DATE	DWN	APVD
J	-		F	REVISED	030CT2007	M.O	Y.N



- ストローク時参考寸法
- ① 材料
 コンタクト: 銅合金
 ハウジング: 熱可塑性樹脂, UL94V-0, 黒
 ソルダペグ: 銅合金
 - ② 仕上げ
 コンタクト: ニッケル下地めっき1.27μm以上
 接点部 金めっき1μm以上
 半田付け部: 金フラッシュめっき0.05~0.13μm
 ソルダペグ: ニッケル下地めっき1μm以上
 錫めっき1μm以上
 - ③ ストローク時接点位置 (ワイピング量) は相手側パッドとの摩擦係数に依存する。
 4. コ-planarity 0.1MAX.
 - ① MATERIAL
 CONTACT: COPPER ALLOY
 HOUSING: THERMO PLASTIC UL94V-0, BLACK
 SOLDER PEG: COPPER ALLOY
 - ② FINISH
 CONTACT: NICKEL ALL OVER UNDER PLATING,
 THK. 1.27μm MIN.
 GOLD PLATING AT CONTACT AREA,
 THK. 1μm MIN.
 GOLD FLASH PLATING AT LEAD AREA,
 THK. 0.05~0.13μm.
 SOLDER PEG: NICKEL ALL OVER UNDER PLATING,
 THK. 1μm MIN.
 TIN PLATING, THK. 1μm MIN.
 - ③ DEPEND ON FRICTION COEFFICIENT
 AGAINST PAD OF BATTERY PACK.
 4. COPLANARITY 0.1MAX.



400EA/1 REEL	1981061-1
QTY	P/N

THIS DRAWING IS A CONTROLLED DOCUMENT FOR TYCO ELECTRONICS CORPORATION
 IT IS SUBJECT TO CHANGE AND THE CONTROLLING ENGINEERING ORGANIZATION
 SHOULD BE CONTACTED FOR THE LATEST REVISION.

DIMENSIONS: 単位: 殆 mm	TOLERANCES UNLESS OTHERWISE SPECIFIED:
	一般公差 ±0.3
	0-PLC ±
	1-PLC ±0.1
	2-PLC ±0.01
	3-PLC ±0.001
	4-PLC ±0.0001
	ANGLES ±3°

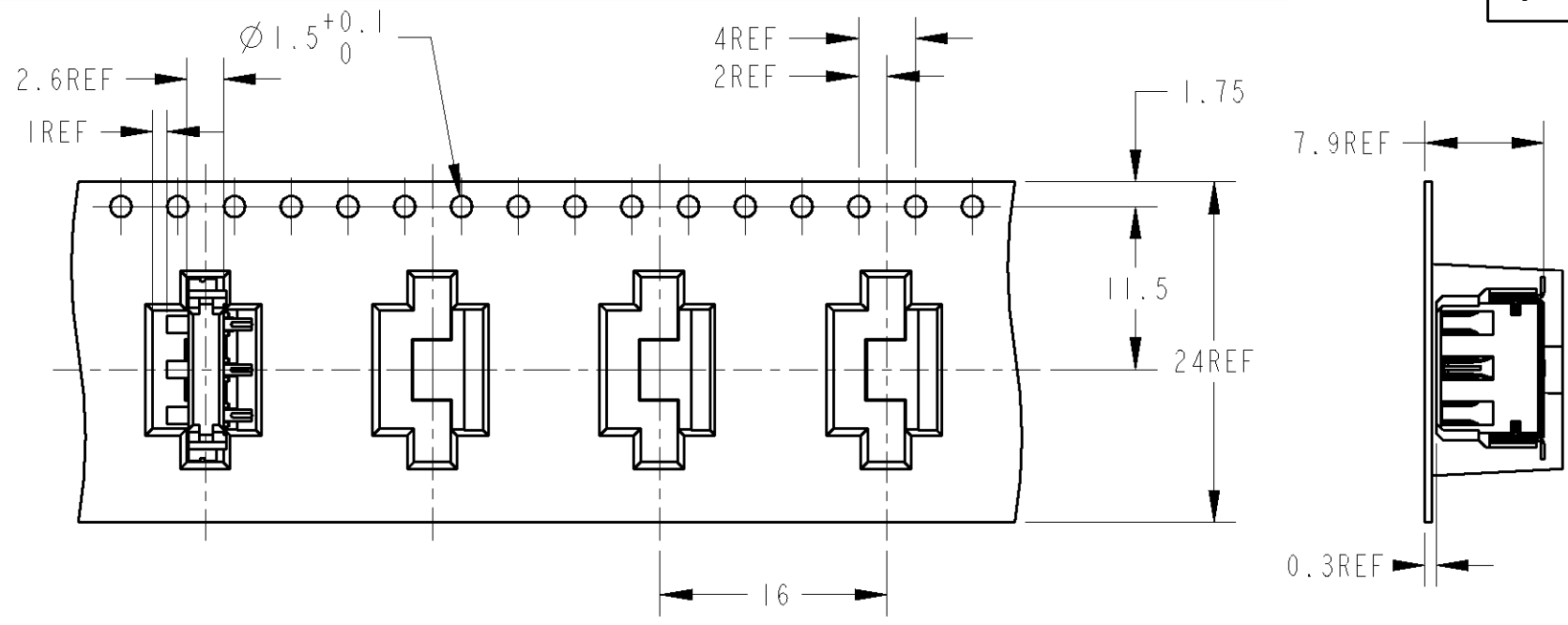
MATERIAL ① FINISH ②

DWN	M. OSHIMA	14SEP06
CHK	C. OHASHI	15SEP06
APVD	Y. YAMOTO	15SEP06
PRODUCT SPEC	108-5956	
APPLICATION SPEC		
WEIGHT	0.31g	

Tyco Electronics AMP K.K. Kawasaki, Japan		NAME 名称	
LEAF TYPE BATTERY CONNECTOR 3POS. WITHOUT BOSS			
SIZE	CAGE CODE	DRAWING NO 番号	RESTRICTED TO
A3	00779	C-1981061	-
CUSTOMER DRAWING		SCALE 5:1	SHEET 1 OF 2 REV F

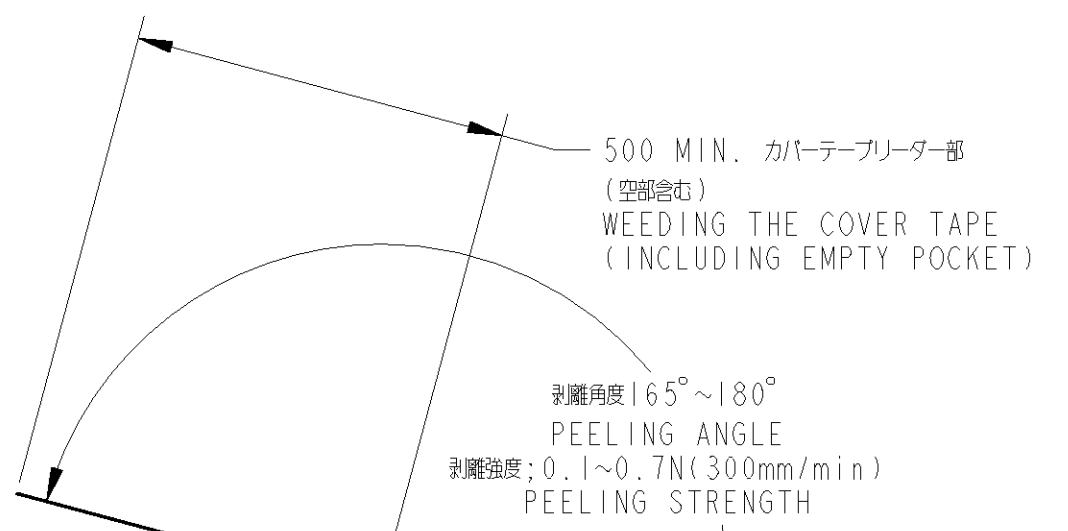
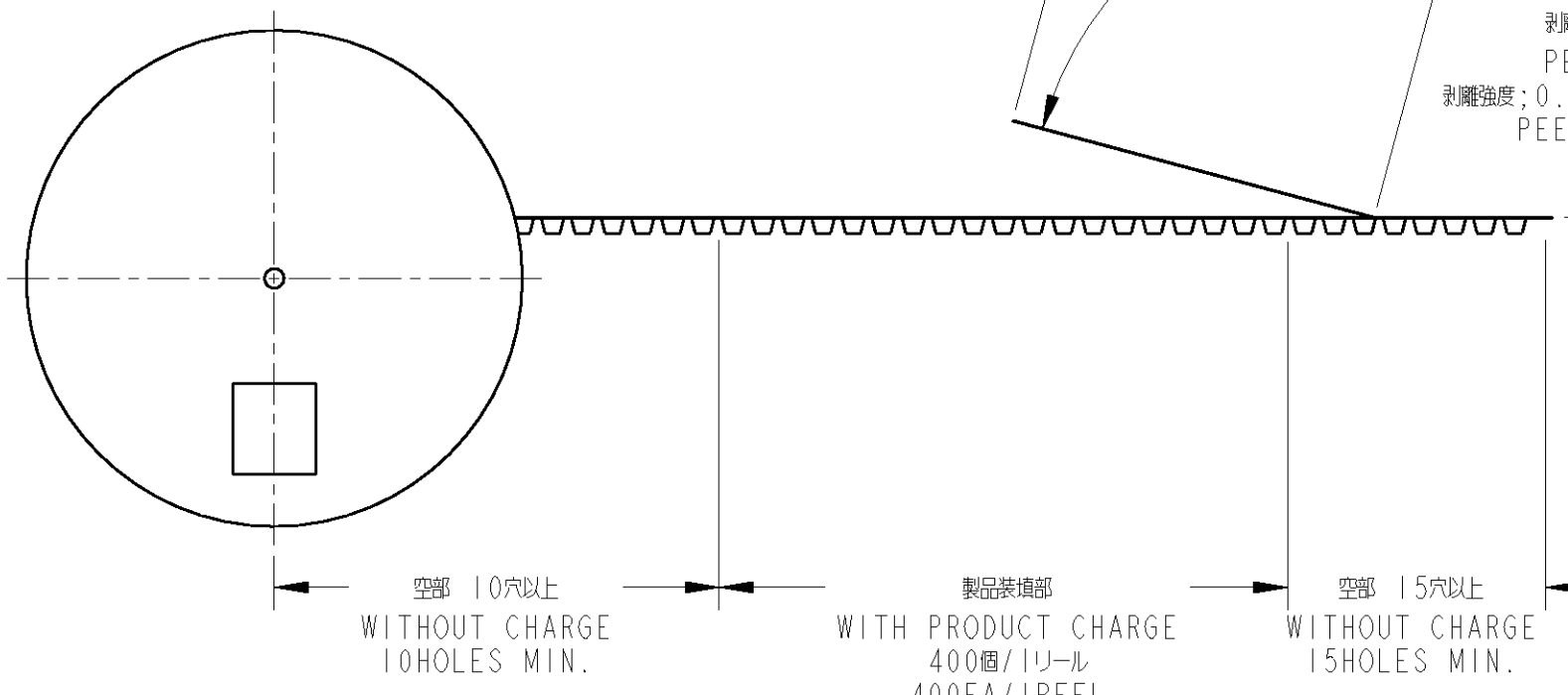
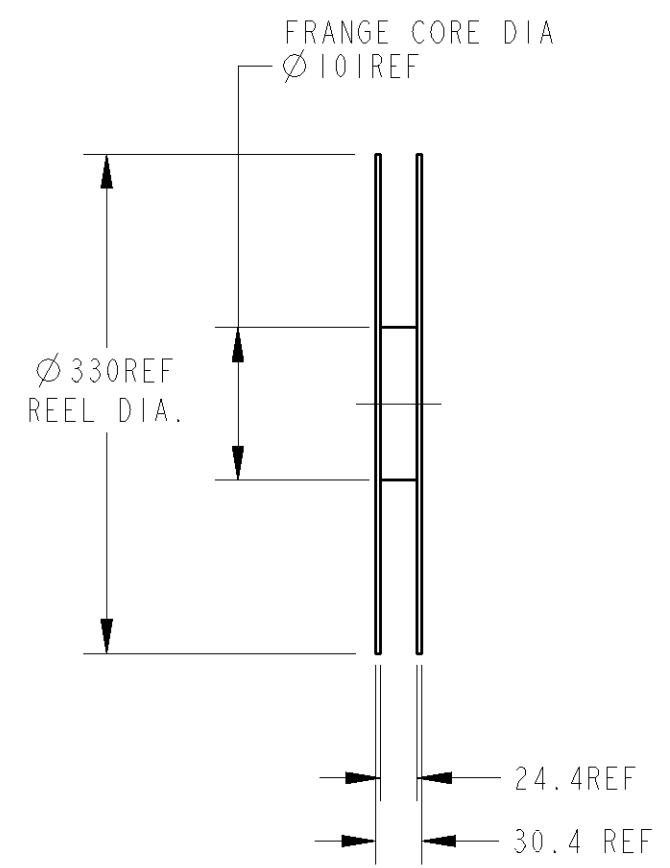
THIS DRAWING IS UNPUBLISHED. RELEASED FOR PUBLICATION 20
 © COPYRIGHT 20 BY TYCO ELECTRONICS CORPORATION. ALL RIGHTS RESERVED.

LOC	DIST	REVISIONS					
J	-	P	LTR	DESCRIPTION	DATE	DWN	APVD
		-		SEE SHEET 1			



1981061-1; MODEL NUMBER
 1981061-1; 型番

SCALE 2:1



THIS DRAWING IS A CONTROLLED DOCUMENT FOR TYCO ELECTRONICS CORPORATION IT IS SUBJECT TO CHANGE AND THE CONTROLLING ENGINEERING ORGANIZATION SHOULD BE CONTACTED FOR THE LATEST REVISION.		DWN M. OSHIMA 14SEP06	Tyco Electronics Tyco Electronics AMP K.K. Kawasaki, Japan	
DIMENSIONS: 単位: 概 mm		CHK C. OHASHI 15SEP06	NAME 名称	
TOLERANCES UNLESS OTHERWISE SPECIFIED: 一般公差 ± 0.3		APVD Y. YAMOTO 15SEP06	PRODUCT SPEC 108-5956	
0-PLC \pm		APPLICATION SPEC 取付適用規格		
1-PLC ± 0.1		WEIGHT 0.31g		
2-PLC ± 0.01		SIZE A3		
3-PLC ± 0.001		CAGE CODE 00779		
4-PLC ± 0.0001		DRAWING NO. 1981061		
ANGLES $\pm 3'$		RESTRICTED TO		
MATERIAL 材料	FINISH 仕上	SCALE 1:1 SHEET 2 OF 2 REV F		
CUSTOMER DRAWING				