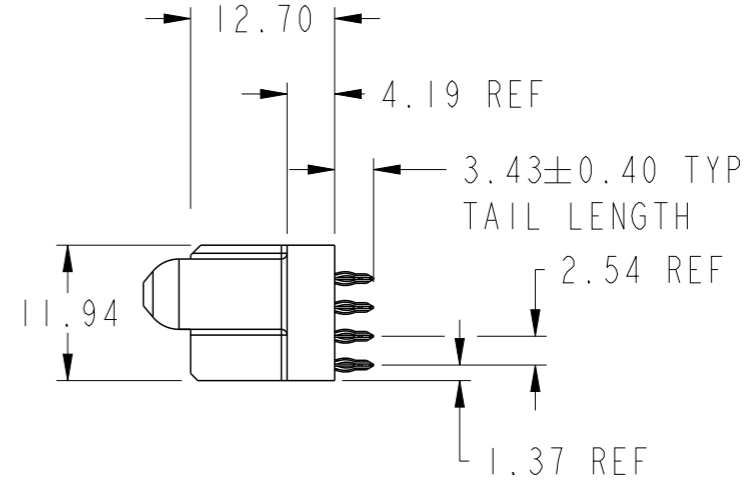
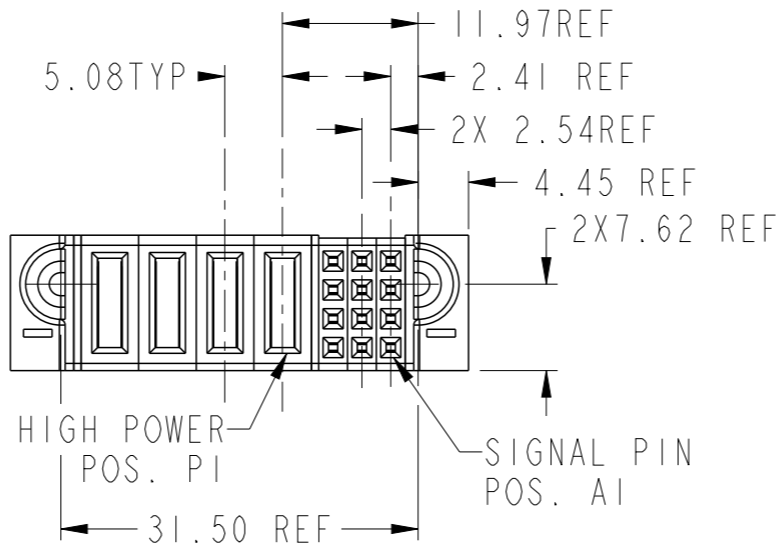
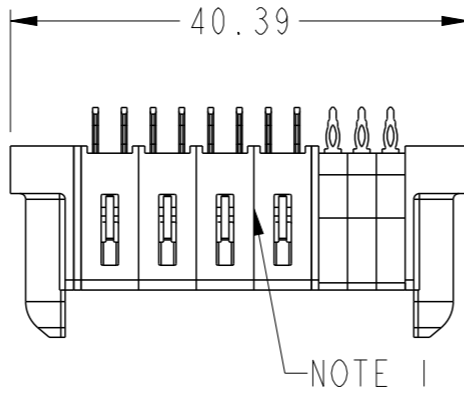
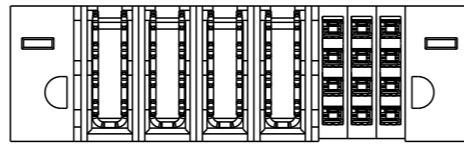


PRODUCT NUMBER SEE SHEET 2

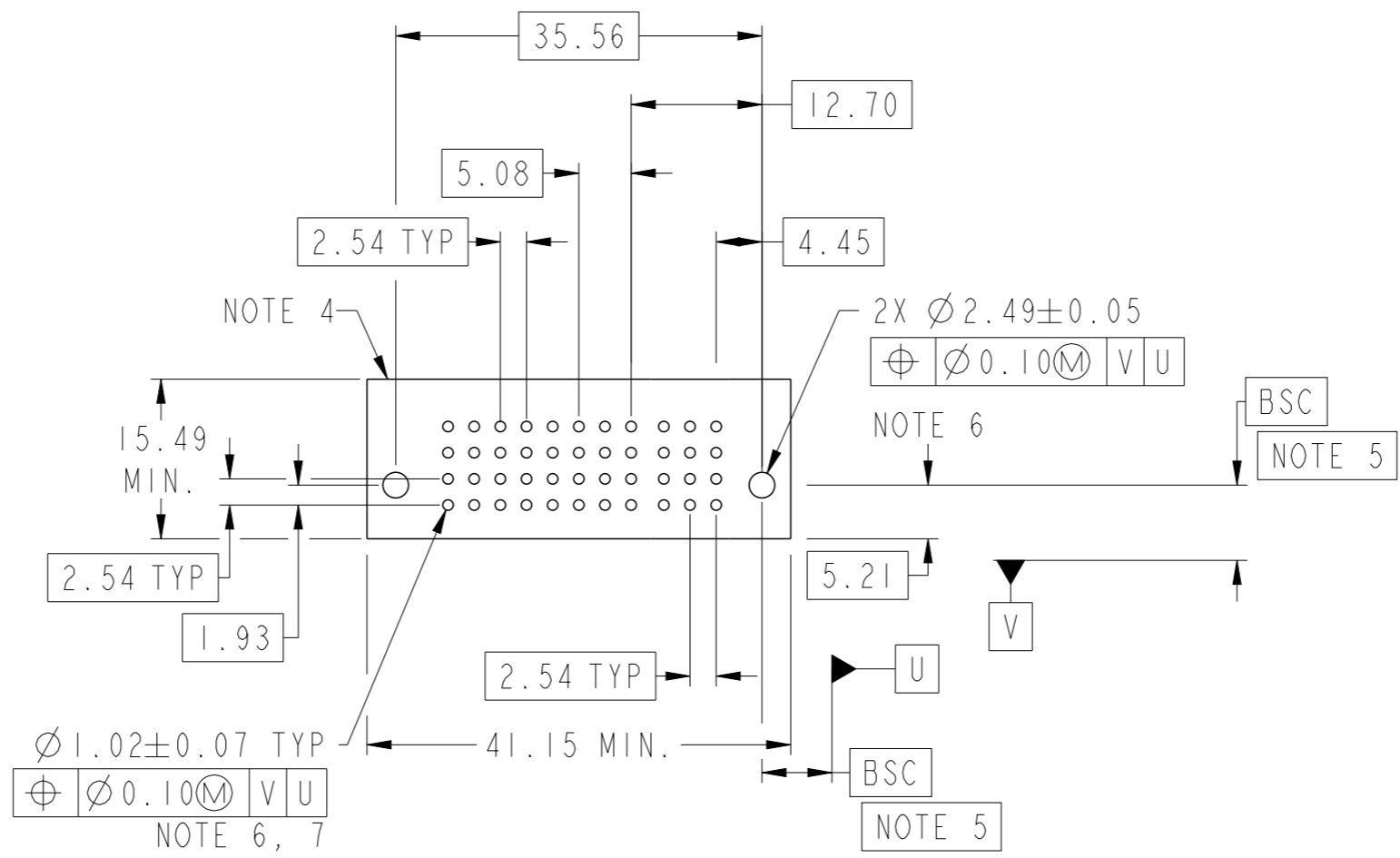


Copyright FCI.

spec ref		dr	Xie Bob	2014/04/03	projection	MM	size	A3	scale	3:2
tolerance std ASME Y14.5		TOLERANCES UNLESS OTHERWISE SPECIFIED			eng	Xie Bob	2014/04/08	ecn no	-	
		chr	Li-He	2014/04/08	product family		PowerBlade+	rel level		
		appr	Pei-Ming Zheng	2014/04/08				Released		
surface	linear	0.X	±0.50		FCI	12S+4HDP	dwg no	10106139-4003002	rev	A
		0.XX	±0.25							
		0.XXX	±0.10							
ASME Y14.5		angular	0°	±2°	www.fci.com	cat. no.	Product - Customer Drw		sheet 1 of 3	

PRODUCT NO.	ROWS	HP				SIG			E2
		E1	P4	P3	P2	P1	3	2	
10106139-4003002LF	DCBA		HG	HG	HD	HD	F	F	F
						F	F	F	
						F	F	F	
						F	F	F	

CODE	DESCRIPTION
F	STD SIGNAL CONTACT
HD	MFBL HIGH POWER CONTACT (3.43)
HG	STD HIGH POWER CONTACT (3.43)



dr	Xie Bob	2014/04/03	projection	MM	size	A3	scale	3:2	
eng	Xie Bob	2014/04/08		← →	ecn no	-	rel level	Released	
chr	Li-He	2014/04/08							
appr	Pei-Ming Zheng	2014/04/08	product family	PowerBlade+					
			12S+4HDP		dwg no	10106139-4003002		rev	A
www.fci.com			VT PF RECEPTACLE		cat. no.		Product - Customer Drw		sheet 2 of 3

Copyright FCI.

A

B

C

D

A

B

C

D

NOTES:

- 1) "FCI", PART NUMBER AND DATE CODE TO BE MARKED ON THIS SURFACE.
THE MARK CAN BE OMITTED IF THERE IS NOT ENOUGH SPACE ON THIS SURFACE.
- 2) MATERIALS:
-HOUSING - GLASS FILLED WITH HIGH TEMP THERMOPLASTIC, UL94V-0.
-SIGNAL CONTACT - COPPER ALLOY.
-POWER CONTACT - HIGH CONDUCTIVITY COPPER ALLOY.
- 3) PLATING SPECIFICATION REFER TO FCI 10116351
- 4) DENOTES CONNECTOR KEEP OUT ZONE.
- 5) DATUM AND BASIC DIMENIONS WERE ESTABLISHED BY CUSTOMER.
- 6) ALL HOLE DIAMETERS ARE FINISHED HOLE SIZES.
- 7) 1.15 ± 0.025MM DRILLED HOLE PLATED WITH 0.00762MM MIN Sn
OVER 0.0254-0.0762MM Cu PLATING TO ACHIEVE A 1.02 ± 0.07MM HOLE.
- 8) PRODUCT SPECIFICATION REFER TO FCI GS-12-658.
APPLICATION SPECIFICATION REFER TO FCI GS-20-141.
PRODUCT PACKAGED IN TRAYS, REFER TO FCI GS-14-1502.
- 9) THE VOID CORING IN BETWEEN POWER MODULES, SIGNAL
MODULES AND END MODULES ARE OPTIONAL AND THE SHAPE
MAY BE DIFFERENT FOR OPTIMIZE THE MOLDING PROCESS. THE
VOID CORING WILL NOT EFFECT TO PRODUCT FUNCTION.



Copyright FCI.

dr	Xie Bob	2014/04/03	projection 	MM ←→	size	A3	scale	1:1		
eng	Xie Bob	2014/04/08			ecn no	-				
chr	Li-He	2014/04/08			rel level	Released				
appr	Pei-Ming Zheng	2014/04/08	product family	PowerBlade+						
		title			12S+4HDP	dwg no		10106139-4003002	rev	A
www.fci.com		cat. no.			Product - Customer Drw			sheet 3 of 3		