

REFERENCE SPECIFICATIONS

-NFC 93425 (in compliance with HE 507)

PHYSICAL CHARACTERISTICS

-INSULATOR MATERIAL: THERMOPLASTIC UL94V0  
 -CONTACT MATERIAL: BRASS

-ACCESSORIES: BRASS  
 -SHELLS: STEEL

ELECTRICAL CHARACTERISTICS

-NOMINAL CURRENT: 7.5A  
 -CONTACT RESISTANCE: <= 7.3 m ohms  
 -CONTACT/CONTACT : >=1000 V  
 -CONTACT/GROUND : >=1200 V  
 -INSULATION RESISTANCE: >=5000 MOhms

ENVIRONMENTAL CHARACTERISTICS

- CLIMATIC CATEGORY: 55/125/21  
 TEMPERATURE RANGE -55°C TO +125°C  
 DAMP HEAT STEADY STATE 21 DAYS  
 SALT SPRAY 48 HOURS

MECHANICAL CHARACTERISTICS

RETENTION AGAINST TORQUE: - Threaded insert: 0.7 N.m minimum  
 - Female screw : 0.5 N.m minimum

NOTE RoHS INFORMATION

- The "LF" products meet european union Directives and other country regulations as described in GS-22-008.
- Termination plating spec:  
Ni + Gold
- Active area plating spec:  
Ni + Gold
- Shell plating :2 to 4µm Cu + Ni + 3 to 10µm Sn,pure bright
- Accessories: Sn pure bright + nickel
- Packaging spec: See GS-14-920

# DBL13W3P043A00LF

Series

Shell size: **E A B C D**  
 see sheet 3  
 Front accessory definition  
 see sheet 2

**Blank** :without accessory  
**L** :threaded insert M3  
**O** :threaded insert UNC 4-40

Layout of contacts (see sheet 3)

Contacts

**P** :Pin

Plating

**Blank** signal solder bucket 200 matings/unmatings  
**043** signal solder bucket 500 matings/unmatings

PCB accessory definition

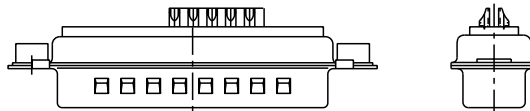
**A** without accessory on PCB

Power contacts

**00** without power contact

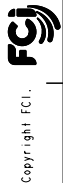
See note RoHS

13W3 FOR EXAMPLE

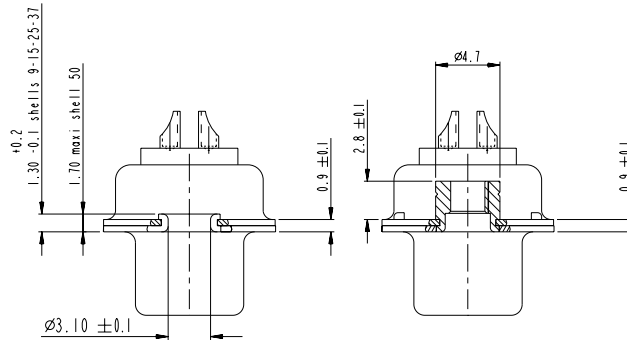


rev	ecn no	dr	date
A	LS05-0101	MPE	2005-10-11
B	LS06-0208	LGO	2006-12-13
C	LS07-0173	MPE	2007-06-18
D	LS07-0273	MPE	2007/10/31
-	-	-	-
-	-	-	-
-	-	-	-

www.fciconnect.com		surface	tolerance std	projection	mm
		ISO 1302	ISO 406 ISO 1101	⊕	
		TOLERANCES UNLESS OTHERWISE SPECIFIED			
Dr	M PESSON	2005-10-11	ANGULAR	0.X ±0.3	size A2 Scale 2:1
Eng	P LEGARE	2005-10-11	LINEAR	0.xx ±0.1	
Chr			0° ±2°	0.xxx ±0.05	ECN LS07-0273
Appr					Spec ref
Product family					
FCI		SUB MALE DW		Rev. D	
mixed power+solder bucket		catalog no		C01-8639-2307	
		CUSTOMER		sheet 1 of 7	



Copyright FCI.



FRONT ACCESSORY	<b>Blank</b> without	<b>L</b> insert M3
		<b>O</b> insert UNC 4.40
PCB ACCESSORIES	<b>A</b> without	<b>A</b> without

PART NUMBER	MATINGS/ UNMATINGS	FRONT ACCESSORY	PCB ACCESSORIES
D*xWxPA00LF	200	without	without
D*LxWxPA00LF	200	insert M3	without
D*OxWxPA00LF	200	insert UNC 4.40	without
D*xWxP043A00LF	500	without	without
D*LxWxP043A00LF	500	insert M3	without
D*OxWxP043A00LF	500	insert UNC 4.40	without

shell size	LAYOUTS
E	xWx 5W1
A	11W1
A	7W2
B	21W1
B	17W2
B	13W3
B	9W4
C	25W3
C	21WA4
C	27W2
D	47W1
D	24W7
D	36W4



Copyright FCI.

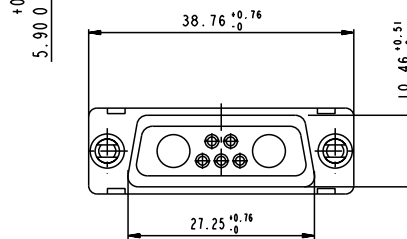
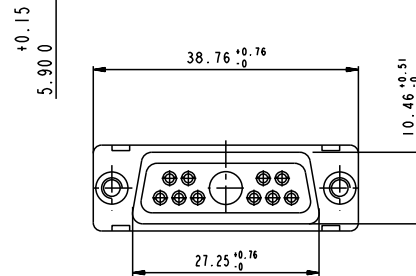
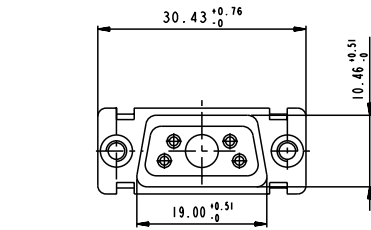
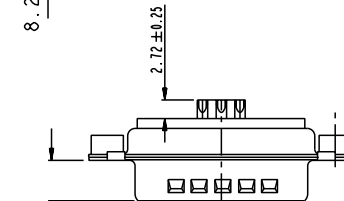
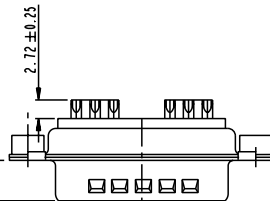
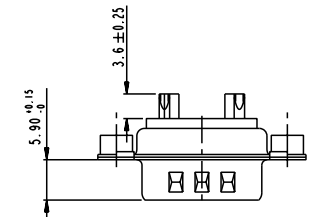
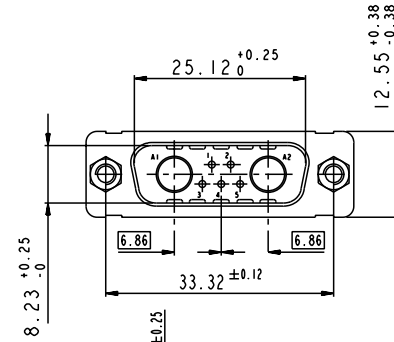
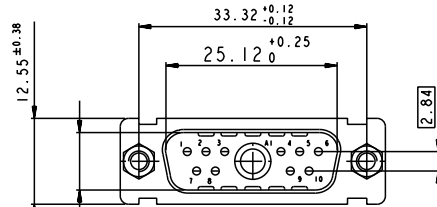
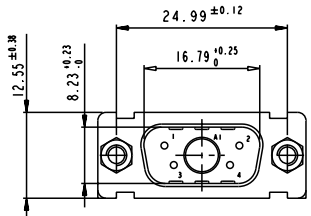
www.fciconnect.com		surface ISO 1302	tolerance std ISO 406 ISO 1101	projection mm
		TOLERANCES UNLESS OTHERWISE SPECIFIED		
Dr M PESSON	2005-10-11	ANGULAR	0.X ±0.3	size A2 Scale 2:1
Eng P LEGARE	2005-10-11	LINEAR	0.XX ±0.1	
Chr		0° ±2°	0.XXX ±0.05	ECN LS07-0273
Appr		Product family	-	Spec ref
FCI		SUB MALE DW		Rev. D
mixed power+solder bucket		catlog no	C01-8639-2307	sheet 2 of 7

SCALE: 4

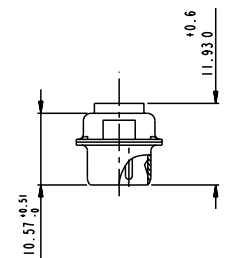
5W1

11W1

7W2



SIDE VIEW FOR LAYOUTS: E A B C



Floating signal contacts



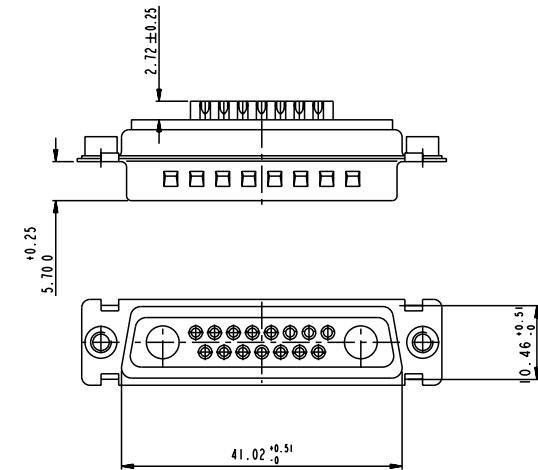
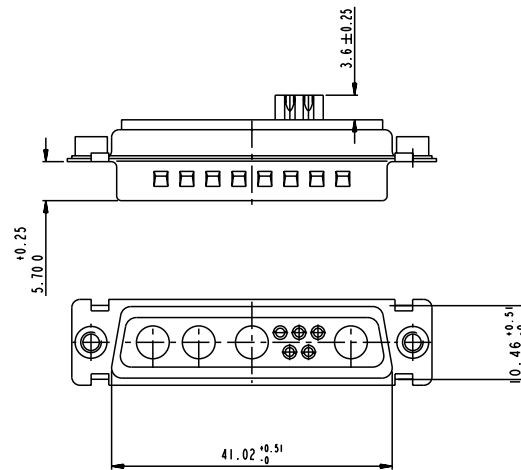
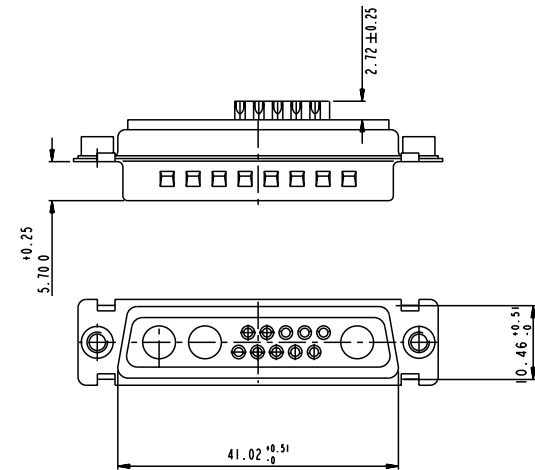
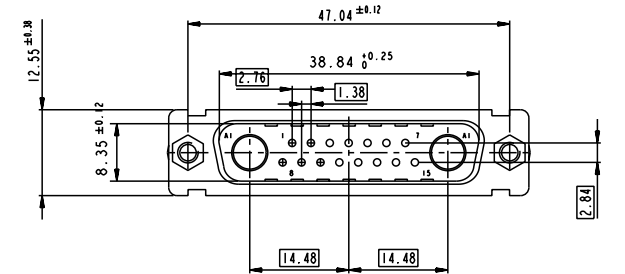
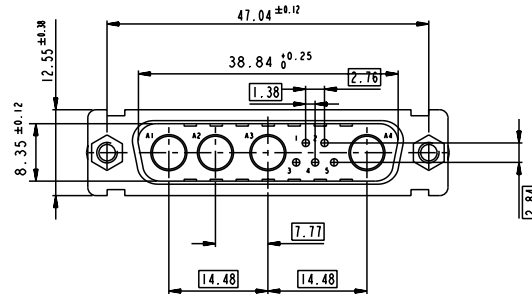
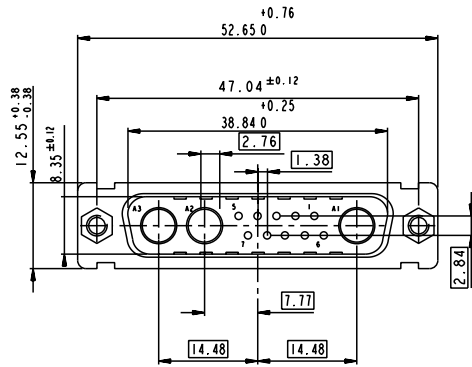
Copyright FCI.

www.fciconnect.com		surface ISO 1302	tolerance std ISO 406 ISO 1101	projection mm
		TOLERANCES UNLESS OTHERWISE SPECIFIED		
Dr M PESSON	2005-10-11	ANGULAR	0.X ±0.3	size A2 Scale 2:1
Eng P LEGARE	2005-10-11	LINEAR	0.XX ±0.1	ECN LS07-0273
Chr		0° ±2°	0.XXX ±0.05	Product family - Spec ref
Appr		Product family		
FCI		SUB MALE DW		Rev. D
mixed power+solder bucket		cat no C01-8639-2307		sheet 3 of 7
CUSTOMER				

13W3

9W4

17W2

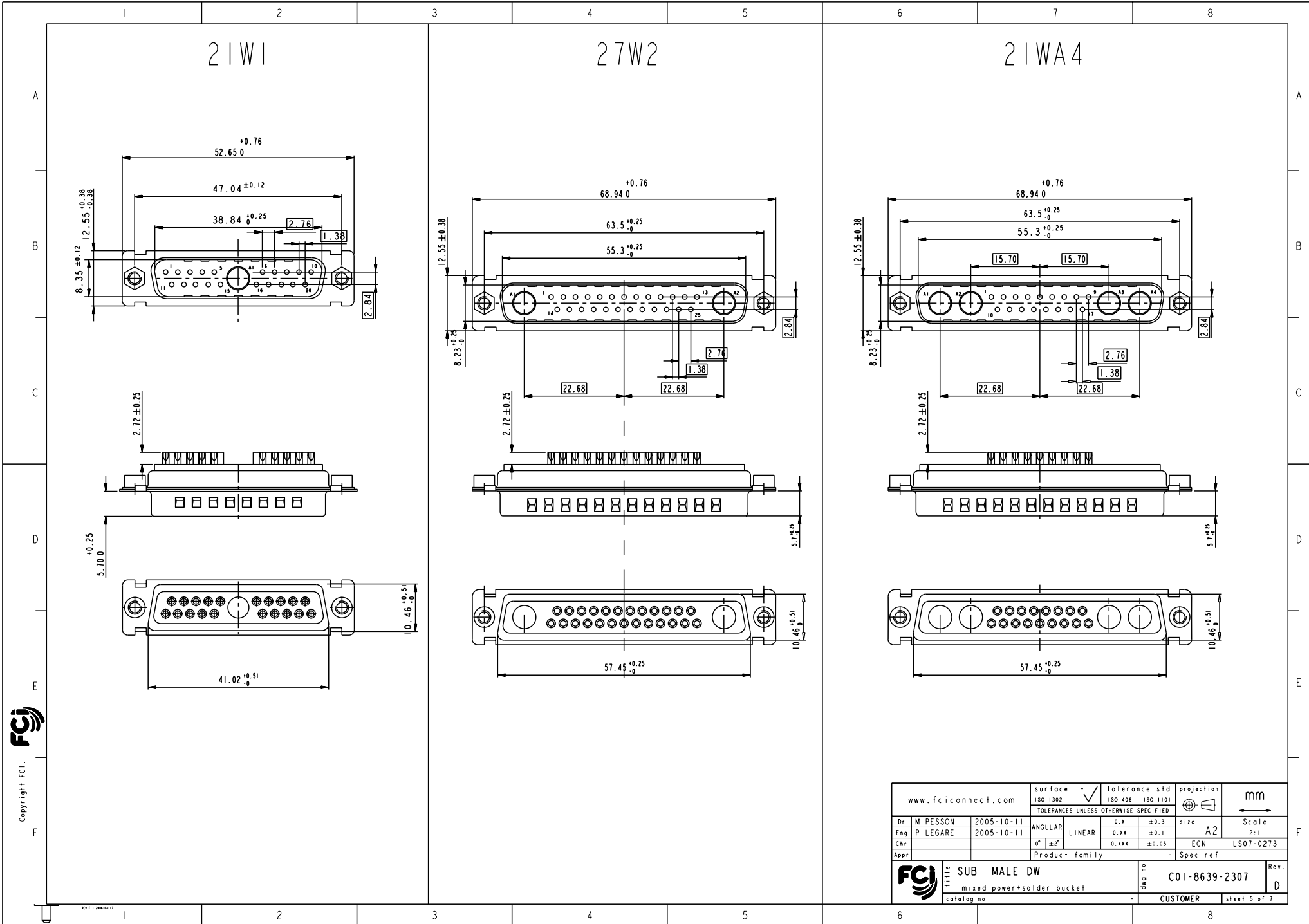


Floating signal contacts



Copyright FCI.

www.fciconnect.com		surface ISO 1302	tolerance std ISO 406 ISO 1101	projection mm
		TOLERANCES UNLESS OTHERWISE SPECIFIED		
Dr M PESSON	2005-10-11	ANGULAR	0.X ±0.3	size A2 Scale 2:1
Eng P LEGARE	2005-10-11	LINEAR	0.XX ±0.1	ECN LS07-0273
Chr		0° ±2°	0.XXX ±0.05	Spec ref
Appr		Product family		
FCI SUB MALE DW		ang no	C01-8639-2307	Rev. D
mixed power+solder bucket		catalog no	CUSTOMER	sheet 4 of 7



Copyright FCI.

www.fciconnect.com		surface ISO 1302	tolerance std ISO 406 ISO 1101	projection mm
		TOLERANCES UNLESS OTHERWISE SPECIFIED		
Dr M PESSON	2005-10-11	ANGULAR	0.X ±0.3	size A2 Scale 2:1
Eng P LEGARE	2005-10-11	LINEAR	0.XX ±0.1	ECN LS07-0273
Chr		0° ±2°	0.XXX ±0.05	Product family
Appr				Spec ref
FCI SUB MALE DW		C01-8639-2307		Rev. D
mixed power+solder bucket		CUSTOMER		sheet 5 of 7
catalog no				

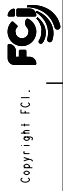
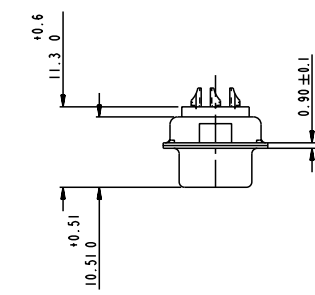
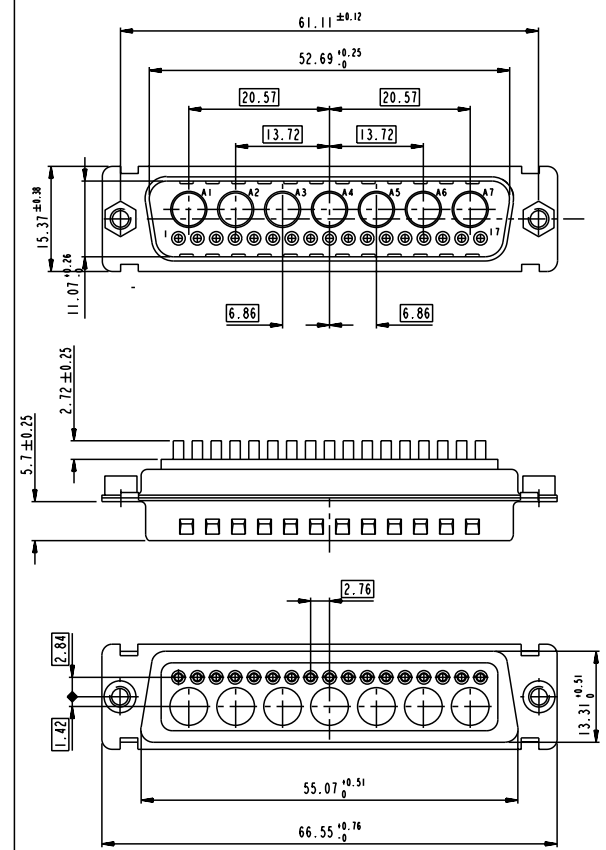
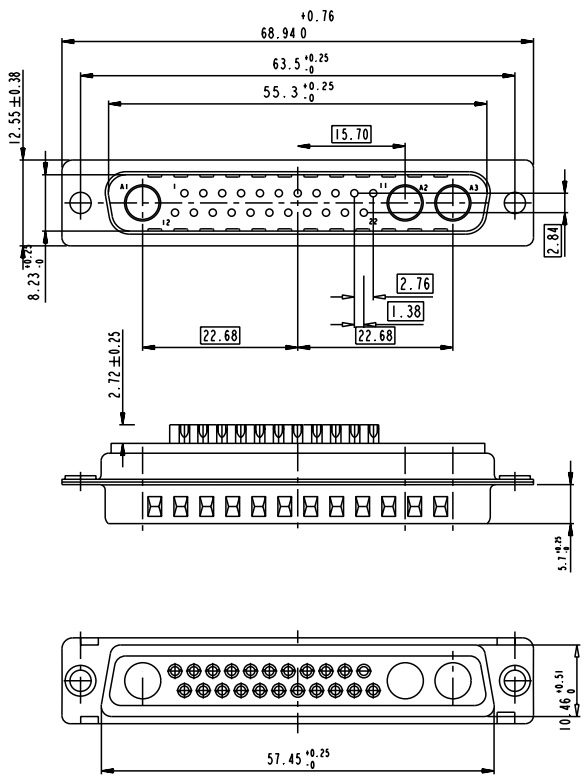
25W3

24W7

SIDE VIEW FOR  
LAYOUT: D

A  
B  
C  
D  
E  
F

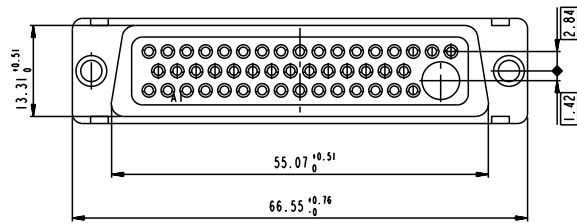
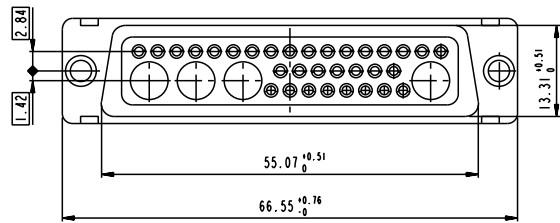
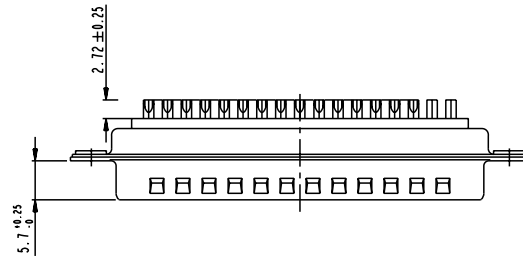
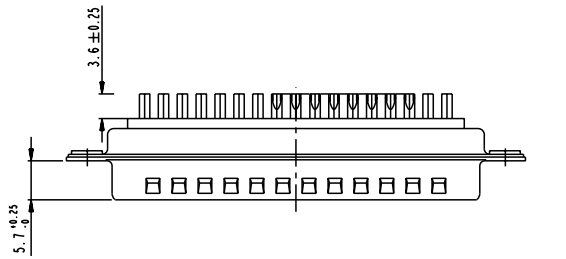
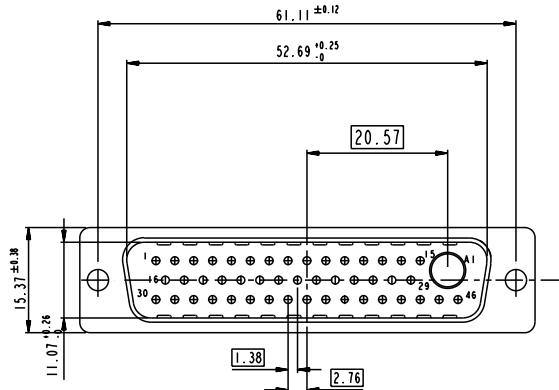
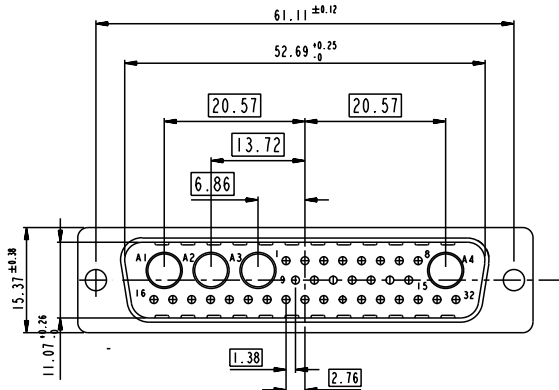
A  
B  
C  
D  
E  
F



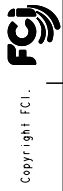
www.fciconnect.com		surface ISO 1302	tolerance std ISO 406 ISO 1101	projection mm
		TOLERANCES UNLESS OTHERWISE SPECIFIED		
Dr M PESSON	2005-10-11	ANGULAR	0.X ± 0.3	size A2 Scale 2:1
Eng P LEGARE	2005-10-11	LINEAR	0.XX ± 0.1	
Chr		0° ± 2°	0.XXX ± 0.05	ECN LS07-0273
Appr		Product family		Spec ref
FCI		SUB MALE DW		Rev. D
mixed power+solder bucket		C01-8639-2307		sheet 6 of 7
catalog no		CUSTOMER		

36W4

47W1



Floating signal contacts



Copyright FCI.

www.fciconnect.com		surface ISO 1302	tolerance std ISO 406 ISO 1101	projection mm
		TOLERANCES UNLESS OTHERWISE SPECIFIED		
Dr M PESSON	2005-10-11	ANGULAR	0.X ±0.3	size A2 Scale 2:1
Eng P LEGARE	2005-10-11	LINEAR	0.XX ±0.1	
Chr		0° ±2'	0.XXX ±0.05	ECN LS07-0273
Appr		Product family	-	Spec ref
FCI		SUB MALE DW		Rev. D
mixed power+solder bucket		cat no	C01-8639-2307	
catalog no		CUSTOMER		sheet 7 of 7