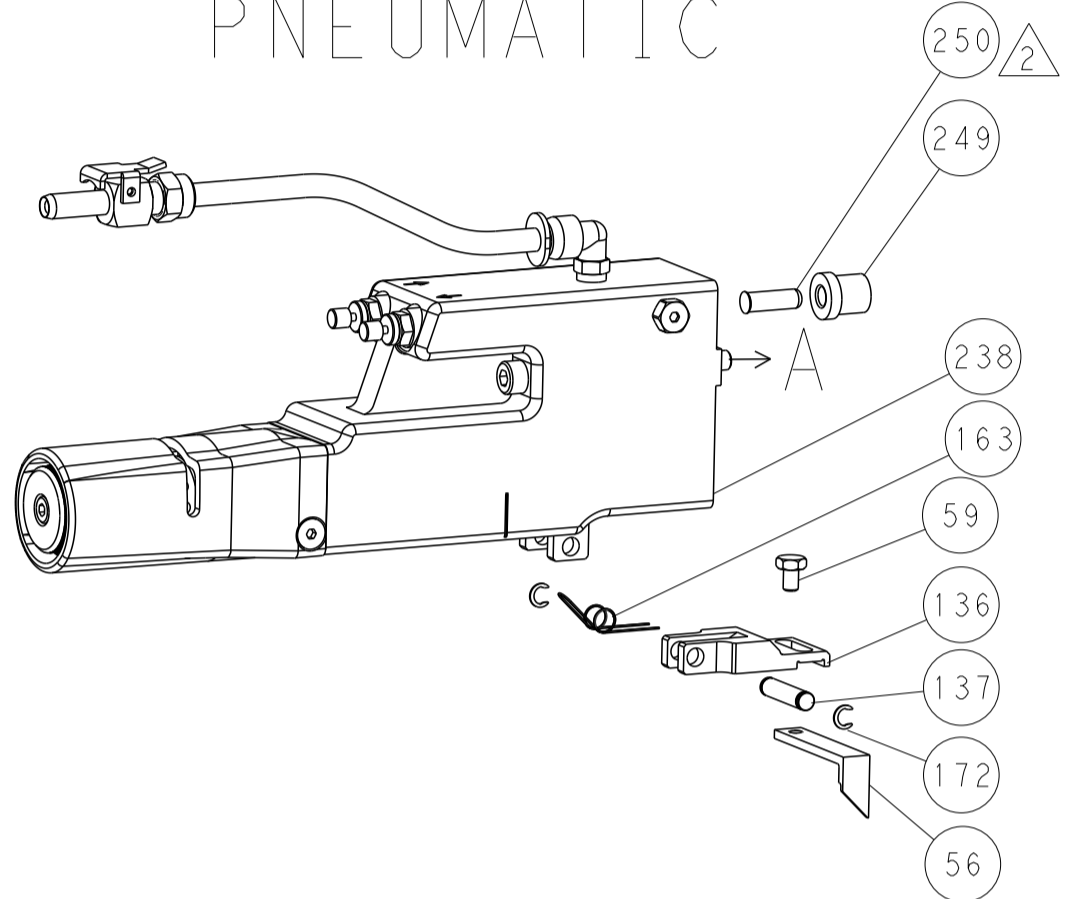


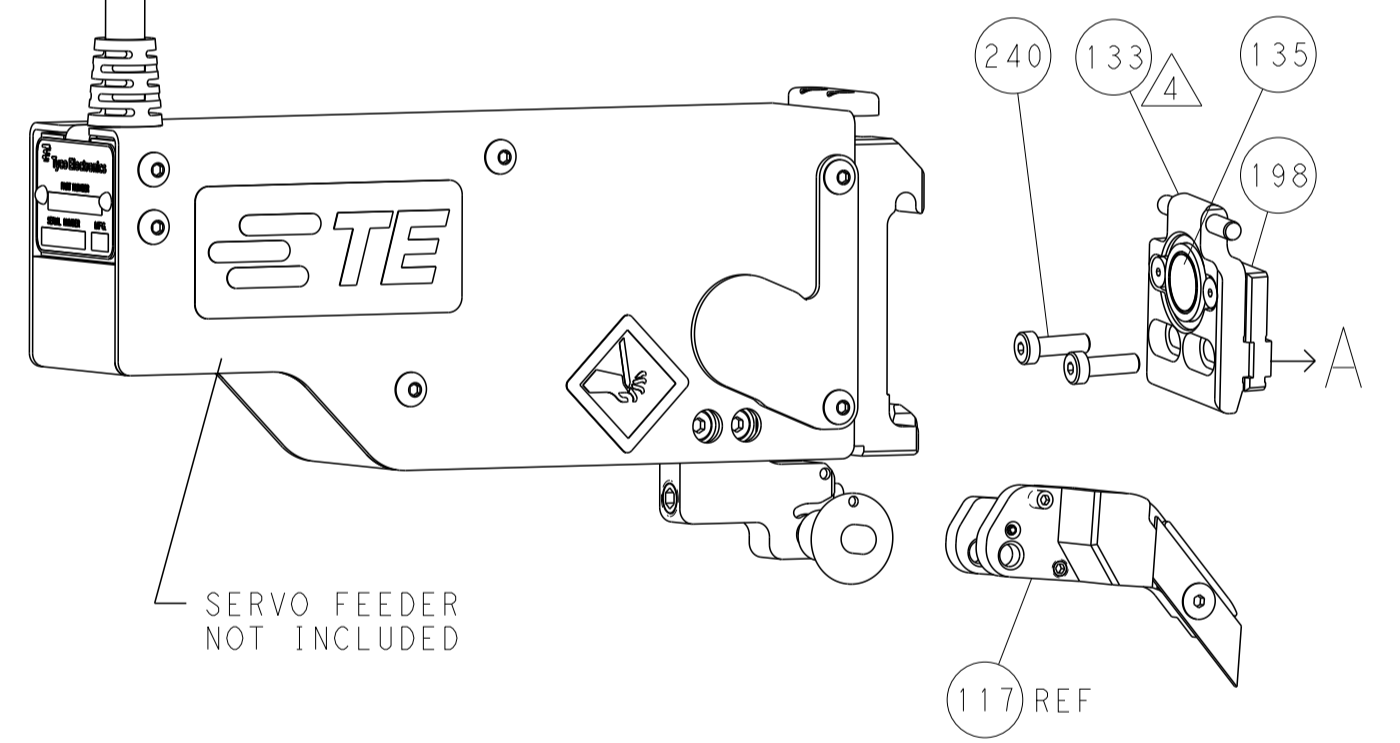
LOC	DIST	REVISIONS					
A	66	P	LTN	DESCRIPTION	DATE	DWN	APVD
		-		SEE SHEET 1		-	-

FEED TYPE

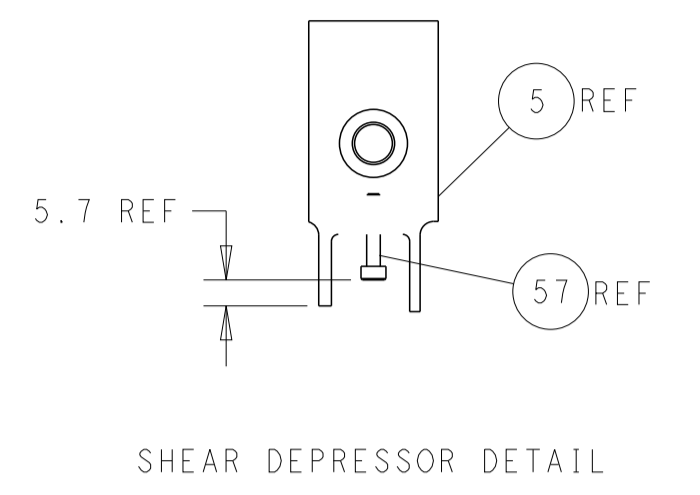
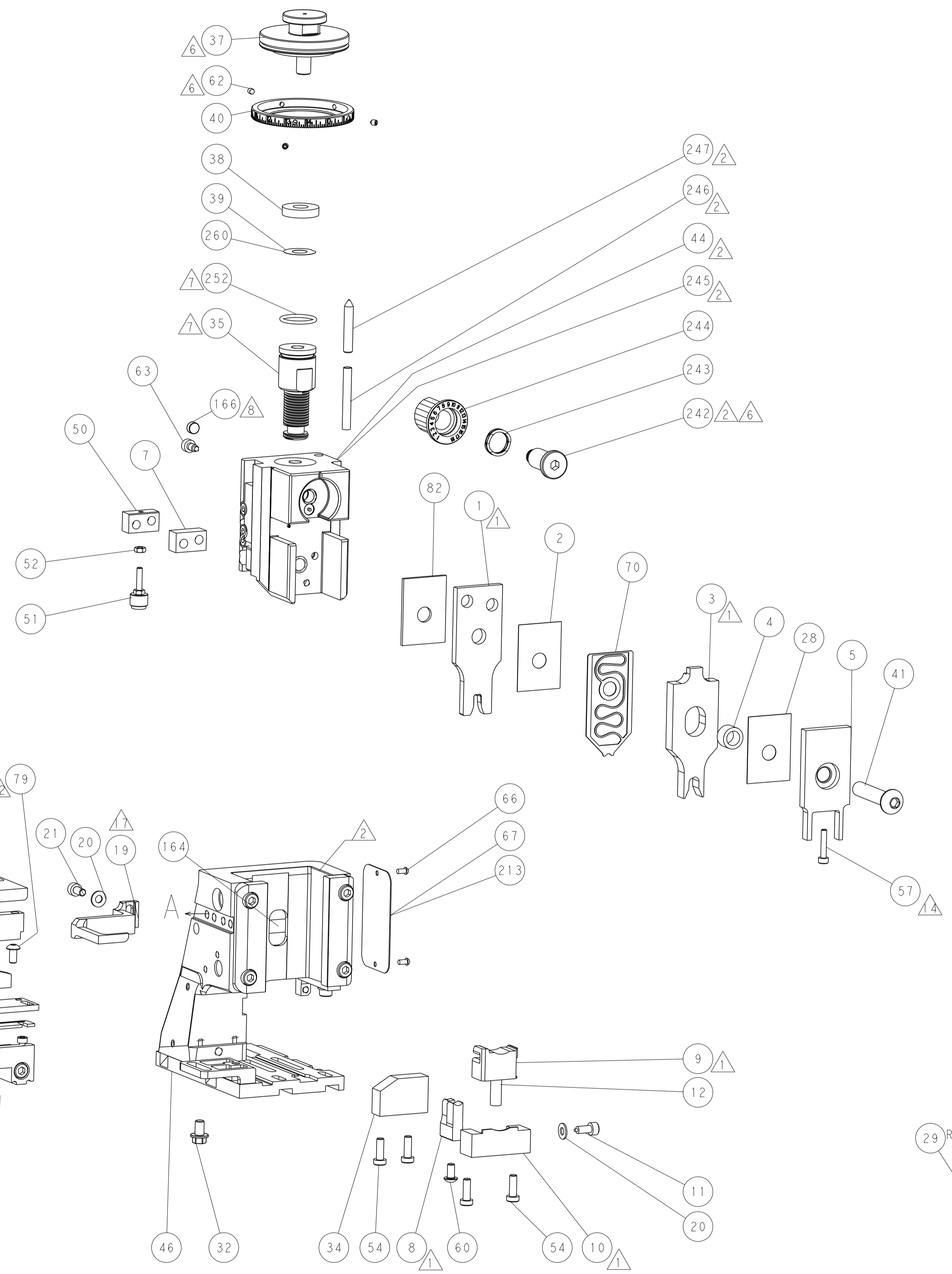
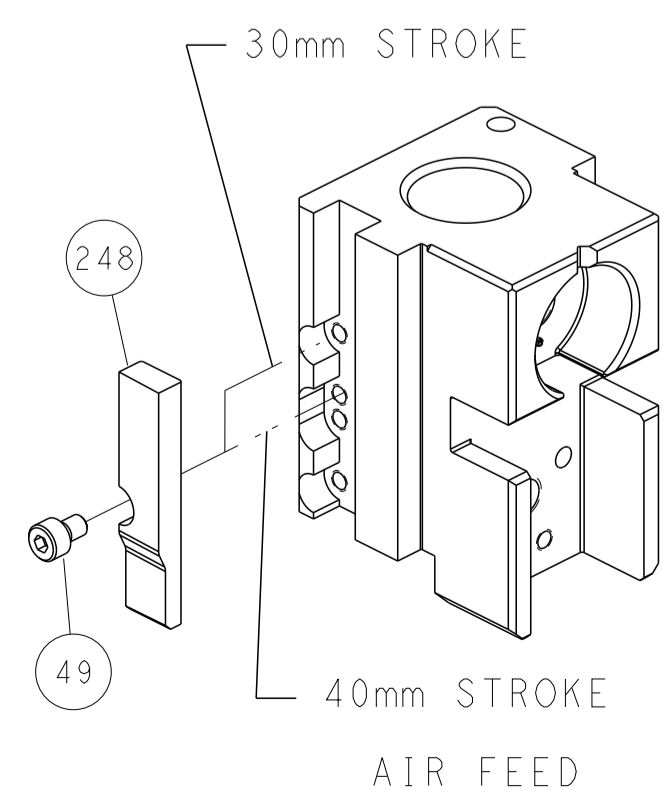
PNEUMATIC



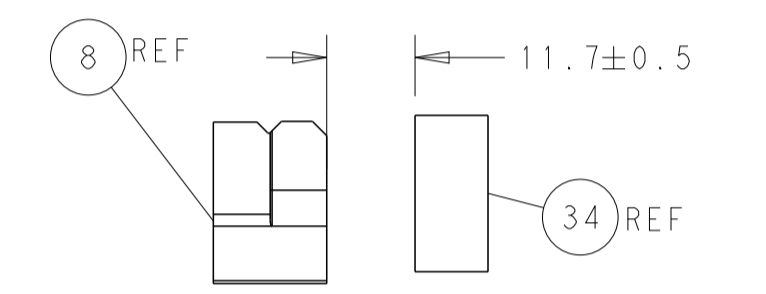
SERVO LATCH PLATE



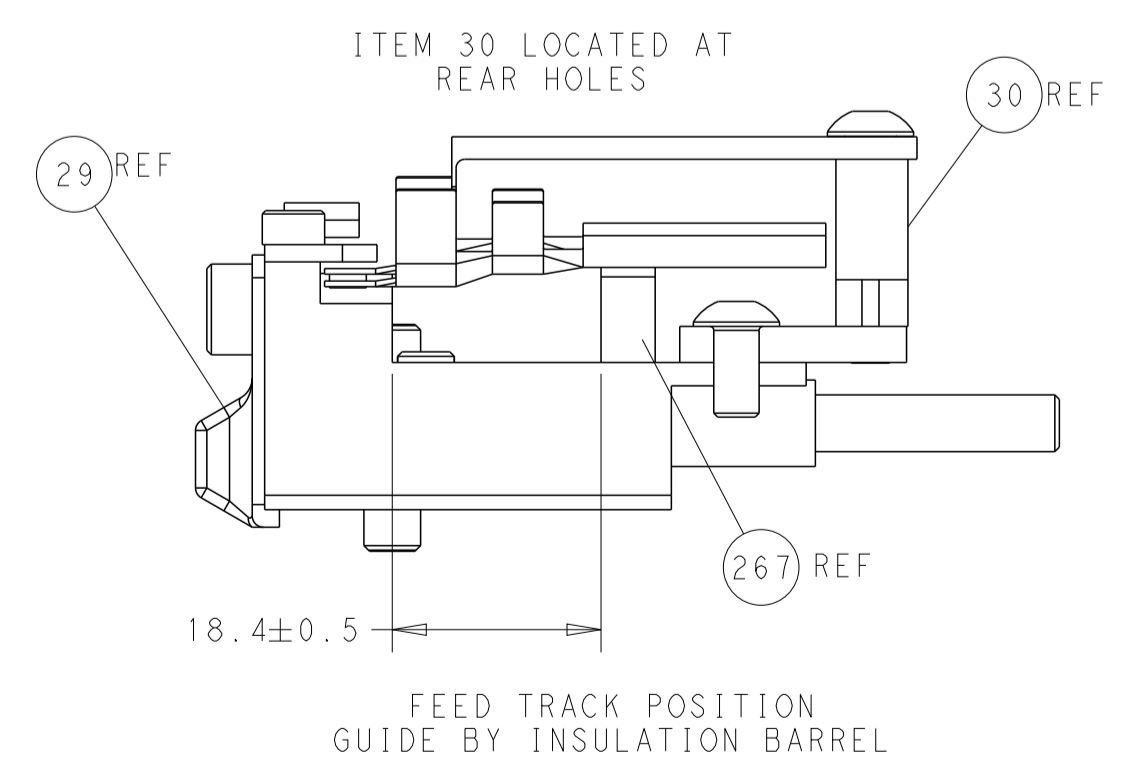
CAM POSITION



SHEAR DEPRESSOR DETAIL



TERMINAL SUPPORT LOCATION



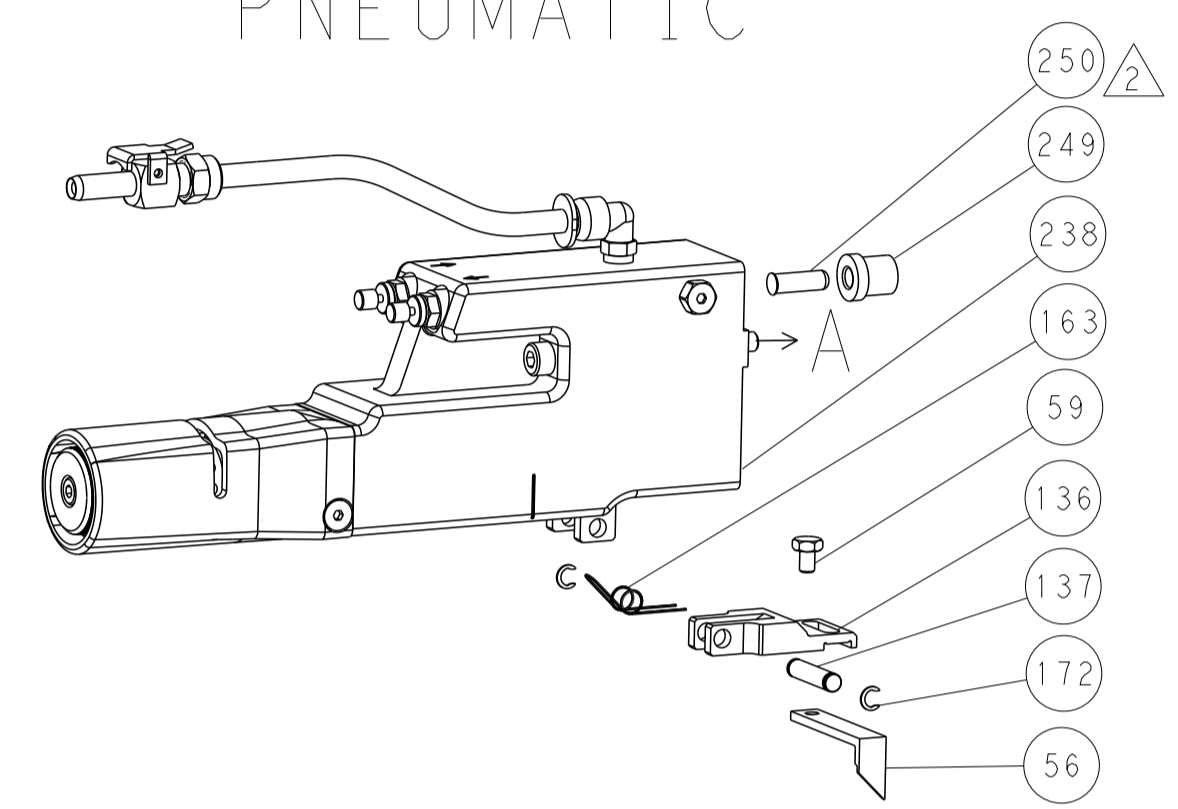
FEED TRACK POSITION GUIDE BY INSULATION BARREL

ATLANTIC VERSION
 Shown on sheets 1 of 4 & 2 of 4
 (Pacific version shown on sheets 3 of 4 & 4 of 4)

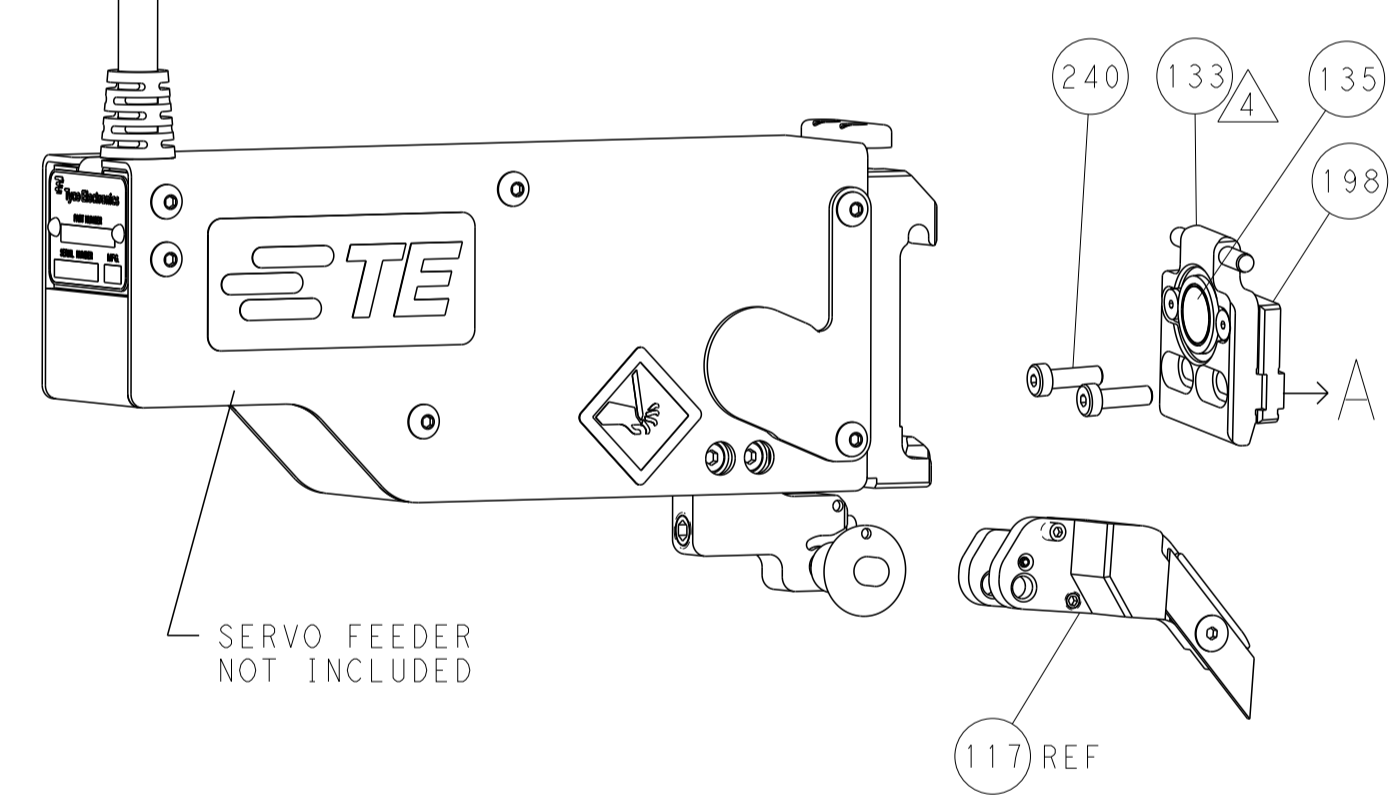
<small>THIS DRAWING IS UNPUBLISHED. RELEASED FOR PUBLICATION. IT IS THE PROPERTY OF COMPANY AND SHOULD BE KEPT UNDER STRICT CONTROL. REPRODUCTION OR DISSEMINATION WITHOUT THE WRITTEN PERMISSION OF COMPANY IS PROHIBITED.</small>		DWN: EL_GROSS 21NOV2014 CHK: T_ELBIN 21NOV2014 APVD: D_STOUGH 21NOV2014	STE TE Connectivity Harrisburg, PA 17105-3608
DIMENSIONS: mm TOLERANCES UNLESS OTHERWISE SPECIFIED: 0 PLC ± 1 PLC ± 2 PLC ± 3 PLC ± 4 PLC ± ANGLES ± MATERIAL: - FINISH: -	NAME: Ocean Side Feed Applicator SIZE: A1 CAGE CODE: 00779 DRAWING NO: C=2266583 SCALE: 1:2 SHEET: 2 OF 4 REV: B	PRODUCT SPEC: APPLICATION SPEC: WEIGHT: RESTRICTED TO:	Customer Accessible Production Drawing

LOC		DIST		REVISIONS			
A	66	P	LTM	DESCRIPTION	DATE	DWN	APVD
		-		SEE SHEET 1			

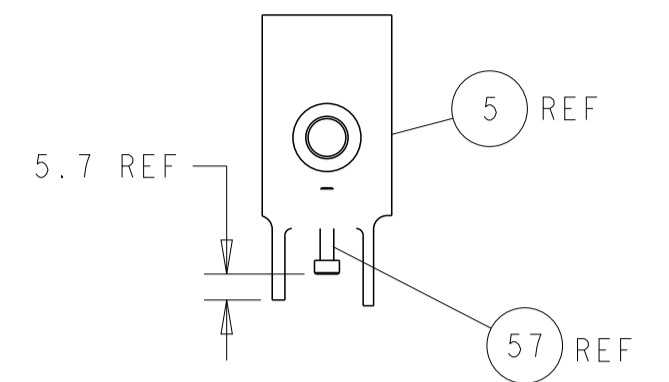
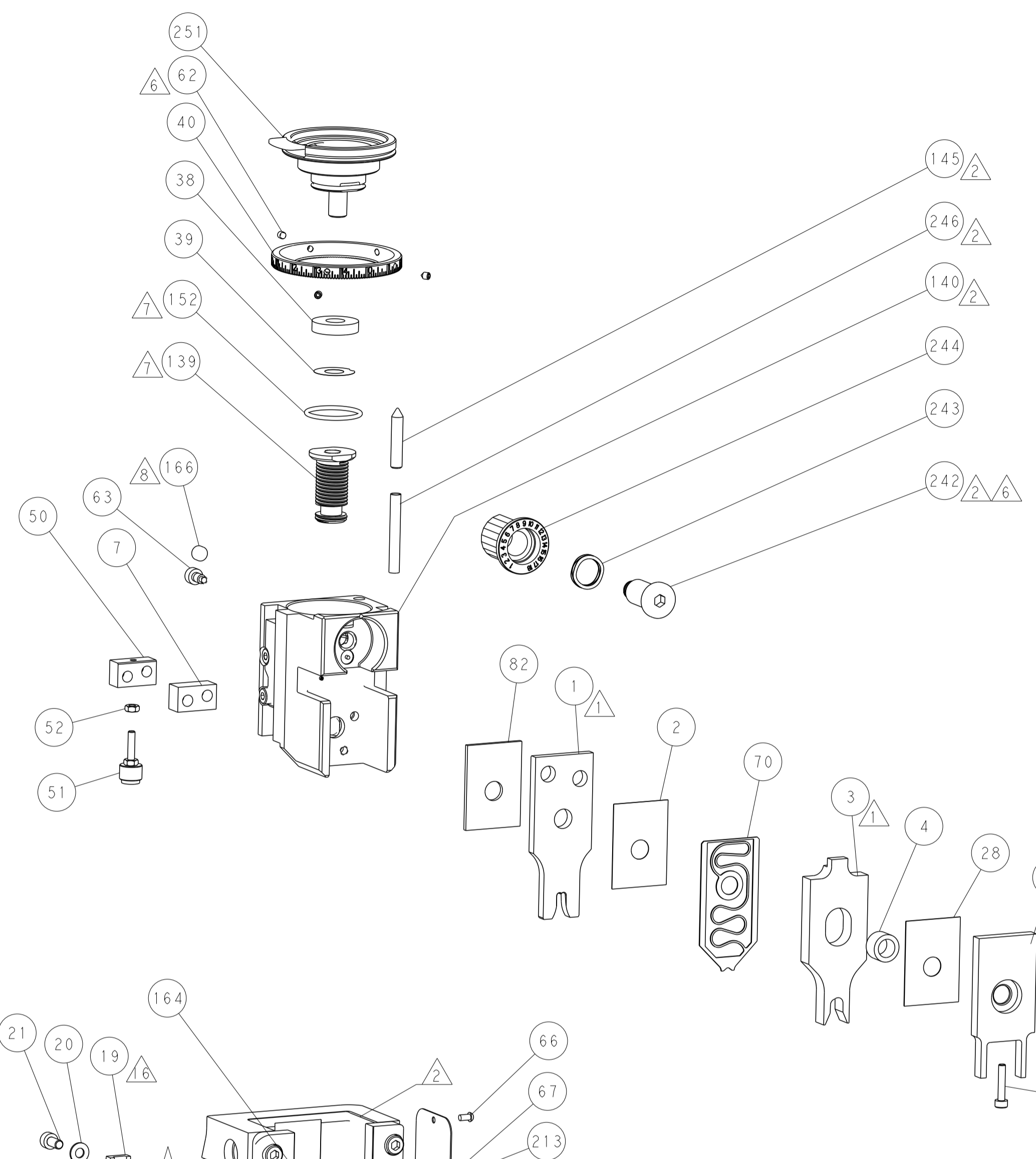
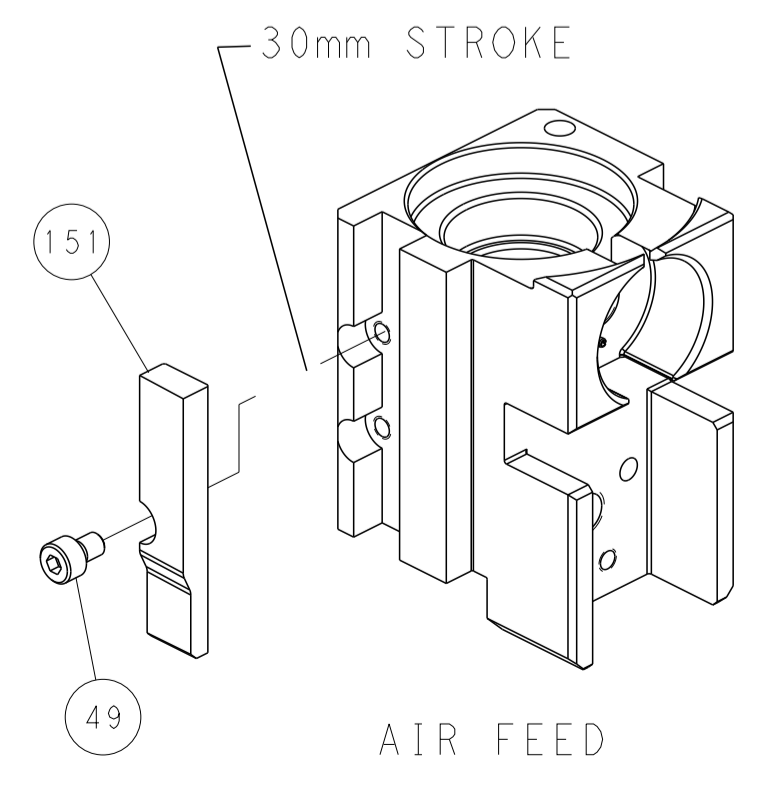
FEED TYPE PNEUMATIC



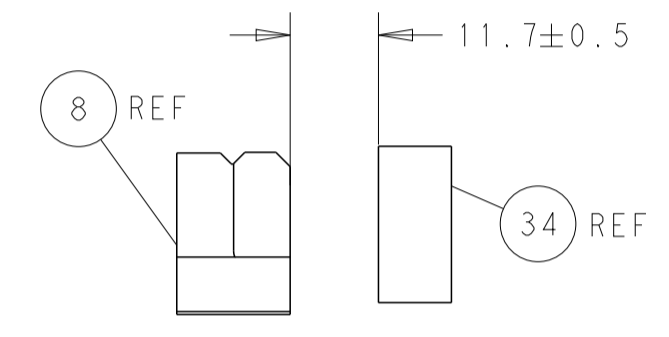
SERVO LATCH PLATE



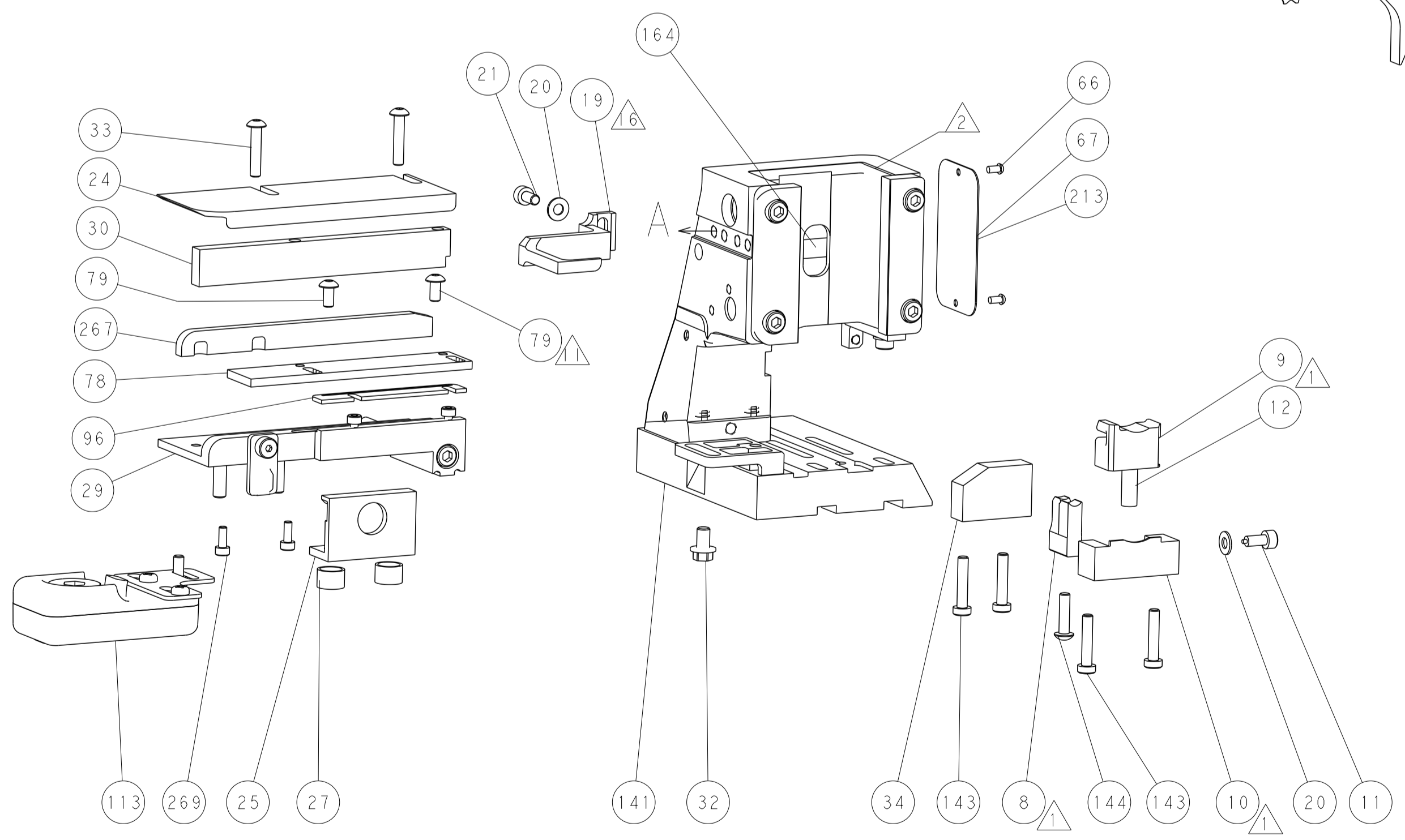
CAM POSITION



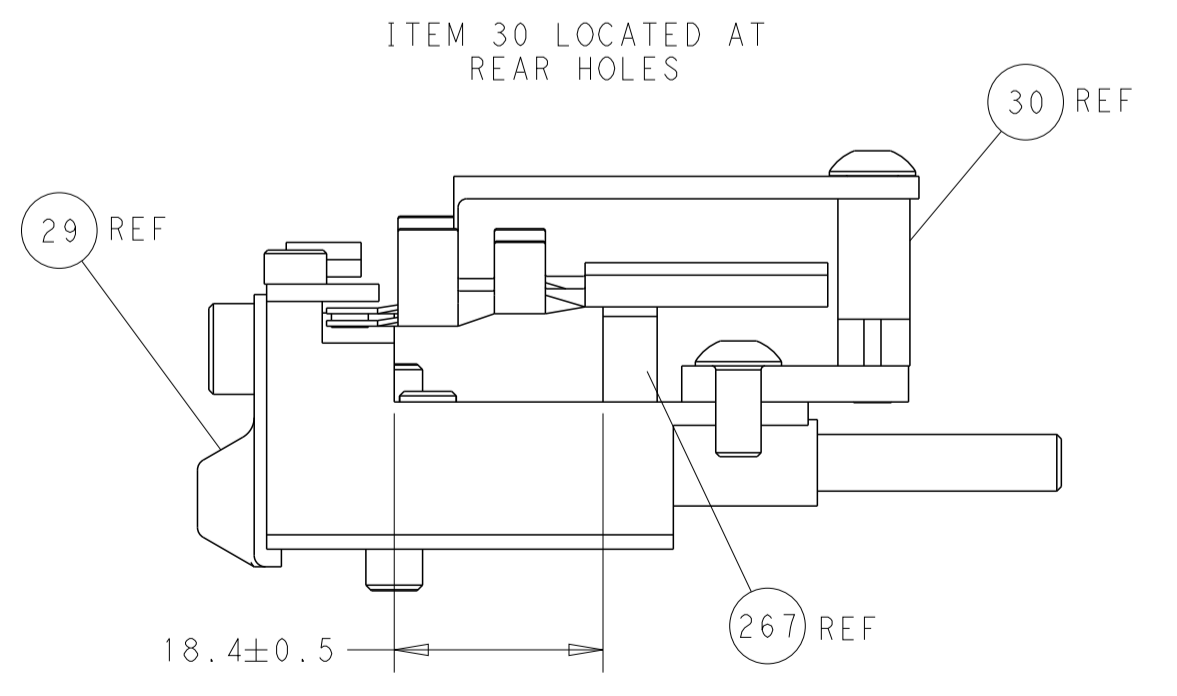
SHEAR DEPRESSOR DETAIL



TERMINAL SUPPORT LOCATION



PACIFIC VERSION
 Shown on sheets 3 of 4 & 4 of 4
 (Atlantic version shown on sheets 1 of 4 & 2 of 4)



FEED TRACK POSITION
GUIDE BY INSULATION BARREL

DIMENSIONS:		TOLERANCES UNLESS OTHERWISE SPECIFIED:		DWN L. GROSS 21NOV2014		TE Connectivity Harrisburg, PA 17105-3608	
mm	0 PLC ±	1 PLC ±	2 PLC ±	3 PLC ±	4 PLC ±	NAME Ocean Side Feed Applicator	
MATERIAL:		FINISH:		APVD D. STOUGH 21NOV2014		RESTRICTED TO	
				PRODUCT SPEC		SIZE A1	
				APPLICATION SPEC		CAGE CODE 00779	
				WEIGHT		DRAWING NO 2266583	
				SCALE 1:2		SHEET 4 OF 4	
				Customer Accessible Production Drawing		REV B	