

# 3M™ Industrial RJ45 Modular Plug, 3R108 Series

The 3M Industrial RJ45 Modular Plug is based on the standard RJ45 pin profile and was developed specifically for use in rugged industrial IP 20 environments using double-shielded, four twisted pair enhanced category 5 (Cat5e) cabling. 3M's 50-year, award-winning, insulation displacement contact (IDC) technology incorporated into the RJ45 modular plug allows a reliable and easy termination process without the need to strip the wires. This RJ45 modular plug can be terminated in the field using only a pair of pliers. The plug is compact at 44 mm long and has a robust design that helps reduce the likelihood of the latch breaking during multiple insertion and withdrawal cycles. All components of the field terminable Industrial RJ45 Modular Plug are provided in a convenient blister pack.

The 3M Industrial RJ45 Modular Plug is designed to be used mainly in industrial atmospheres as an interface for industrial ethernet. More and more industrial appliances are connected and controlled using ethernet technology to optimize factory and process automation. However, a more noise-tolerant and robust-structured modular plug is required compared to a common office LAN application. The modular plugs and cables must have a strong shielded structure and be designed to work in harsh environments such as extreme temperatures, humidity, vibration, etc.

Typical applications include industrial machinery:

- Programmable Logic Controller (PLCs)
- Industrial PCs
- Remote I/Os
- Industrial Robots
- Human Machine Interface (HMIs)
- Inspection Cameras

## Specifications

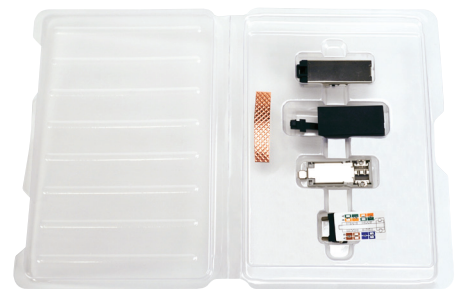
Material:	PBT body and case cover, Nylon latch
Flammability:	UL94V-0
Current Rating:	0.5 Amps
Voltage Rating:	24V (AC/DC)
Temperature Rating:	-40°C to 70°C

## Fast Facts:

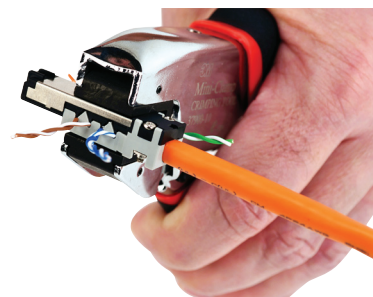
- Allows customers to use only the cable length they need
- Easy and reliable IDC termination with no special wire prep; no stripping, tinning or special tooling
- Compatible to double-shielded Cat5e cables
  - Solid Wire: AWG 24
  - Stranded Wire: AWG 24-26 (7 wires)
  - Max Diameter: 6.8 mm
- Robust structured latch helps minimize breakages
- 4-side shielding
- Compact length: 44 mm
- EU RoHS Compliant\*



3M™ Industrial RJ45 Modular Plug



3M™ Industrial RJ45 Modular Plug Packaging



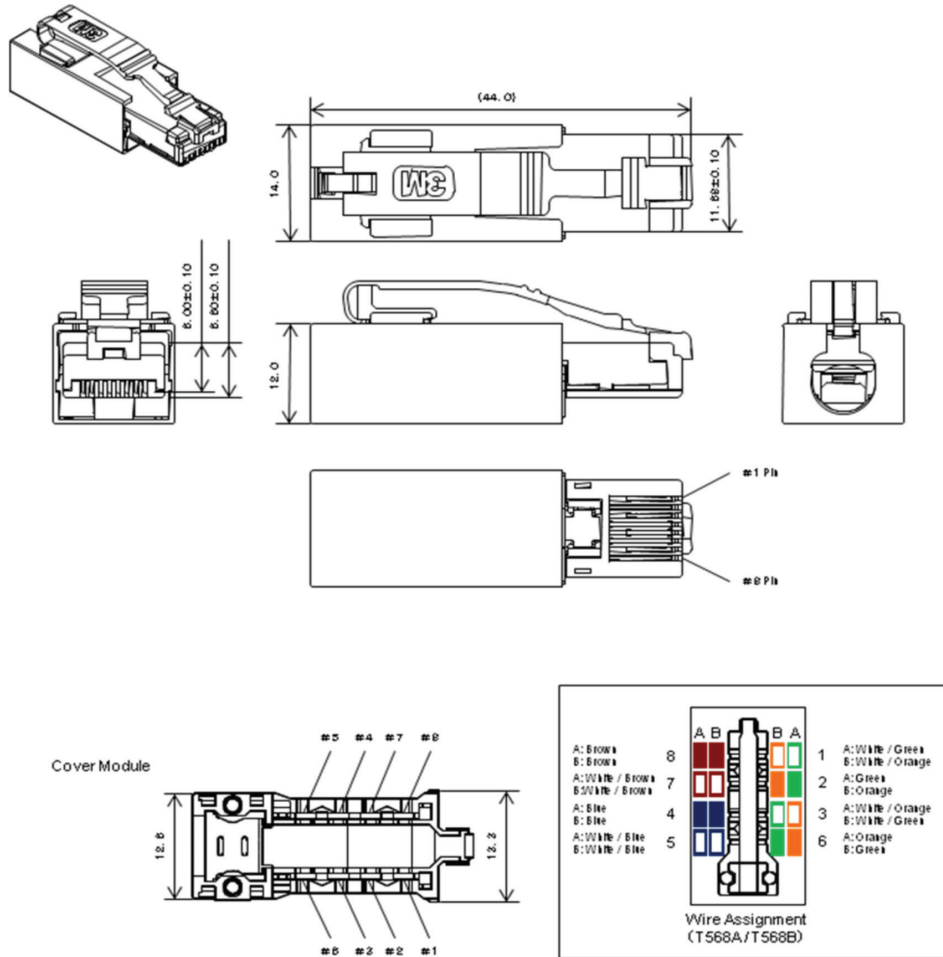
Easy to Terminate



# 3M™ Industrial RJ45 Modular Plug

## Ordering Information

Part Number: 3R108-0000-000 CE



TOLERANCE UNLESS NOTED

Dimension	.0	.00
Tolerance	±.3	±.13

\*\*RoHS Compliant 2002/95/EC\*\* means that the product or part ("Product") does not contain any of the substances in excess of the maximum concentration values in EU Directive 2002/95/EC, as amended by Commission Decision 2005/618/EC, unless the substance is in an application that is exempt under EU RoHS. This information represents 3M's knowledge and belief, which may be based in whole or in part on information provided by third party suppliers to 3M.

3M is a trademark of 3M Company.

### Important Notice

All statements, technical information, and recommendations related to 3M's products are based on information believed to be reliable, but the accuracy or completeness is not guaranteed. Before using this product, you must evaluate it and determine if it is suitable for your intended application. You assume all risks and liability associated with such use. Any statements related to the product which are not contained in 3M's current publications, or any contrary statements contained on your purchase order shall have no force or effect unless expressly agreed upon, in writing, by an authorized officer of 3M.

### Warranty; Limited Remedy; Limited Liability.

This product will be free from defects in material and manufacture for a period of one year from the time of purchase. **3M MAKES NO OTHER WARRANTIES INCLUDING, BUT NOT LIMITED TO, ANY IMPLIED WARRANTY OF MERCHANTABILITY OR FITNESS FOR A PARTICULAR PURPOSE.** If this product is defective within the warranty period stated above, your exclusive remedy shall be, at 3M's option, to replace or repair the 3M product or refund the purchase price of the 3M product. Except where prohibited by law, 3M will not be liable for any indirect, special, incidental or consequential loss or damage arising from this 3M product, regardless of the legal theory asserted.



### Electronic Solutions Division Interconnect Products

6801 River Place Blvd.  
Austin, TX 78726-9000  
1-800-225-5373  
www.3Mconnectors.com

Please recycle. Printed in USA  
© 3M 2012. All rights reserved.  
80-4000-7017-5