

PART NUMBER 138-4593-401	ITEM ① BODY BRASS TRI-ALLOY PL .0001 MIN	ITEM ② STEM BRASS GOLD PL .00001 MIN OVER NICKEL PL .00005 MIN OVER COPPER PL .00005 MIN	ITEM ③ CONTACT BERYLLIUM COPPER GOLD PL .00005 MIN OVER NICKEL PL .00005 MIN OVER COPPER PL .00005 MIN	ITEM ④ REAR INSULATOR TEFLON	ITEM ⑤ FRONT INSULATOR TEFLON	ITEM ⑥ O-RING SILICONE RUBBER	ITEM ⑦ LOCKWASHER STEEL TRI-ALLOY .0001 MIN	ITEM ⑧ MOUNTING NUT BRASS NICKEL PL .0001 MIN OVER COPPER PL .00005 MIN
-----------------------------	---	---	---	------------------------------------	-------------------------------------	--	--	---

DRAWING NO.
C - 138-4593-401/410

0 REVISIONS

ENGINEERING RELEASE

1	12-21-05	P A T	J R K	P D W	M J U	4-12-06 ECN 50131
---	----------	-------------	-------------	-------------	-------------	----------------------

.045-.400 WAS .045-.125

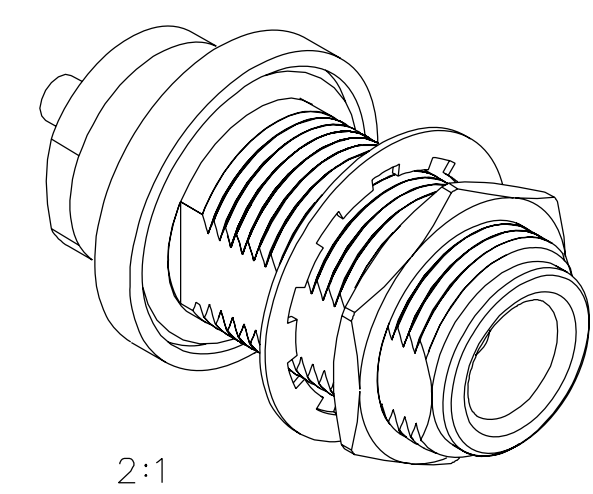
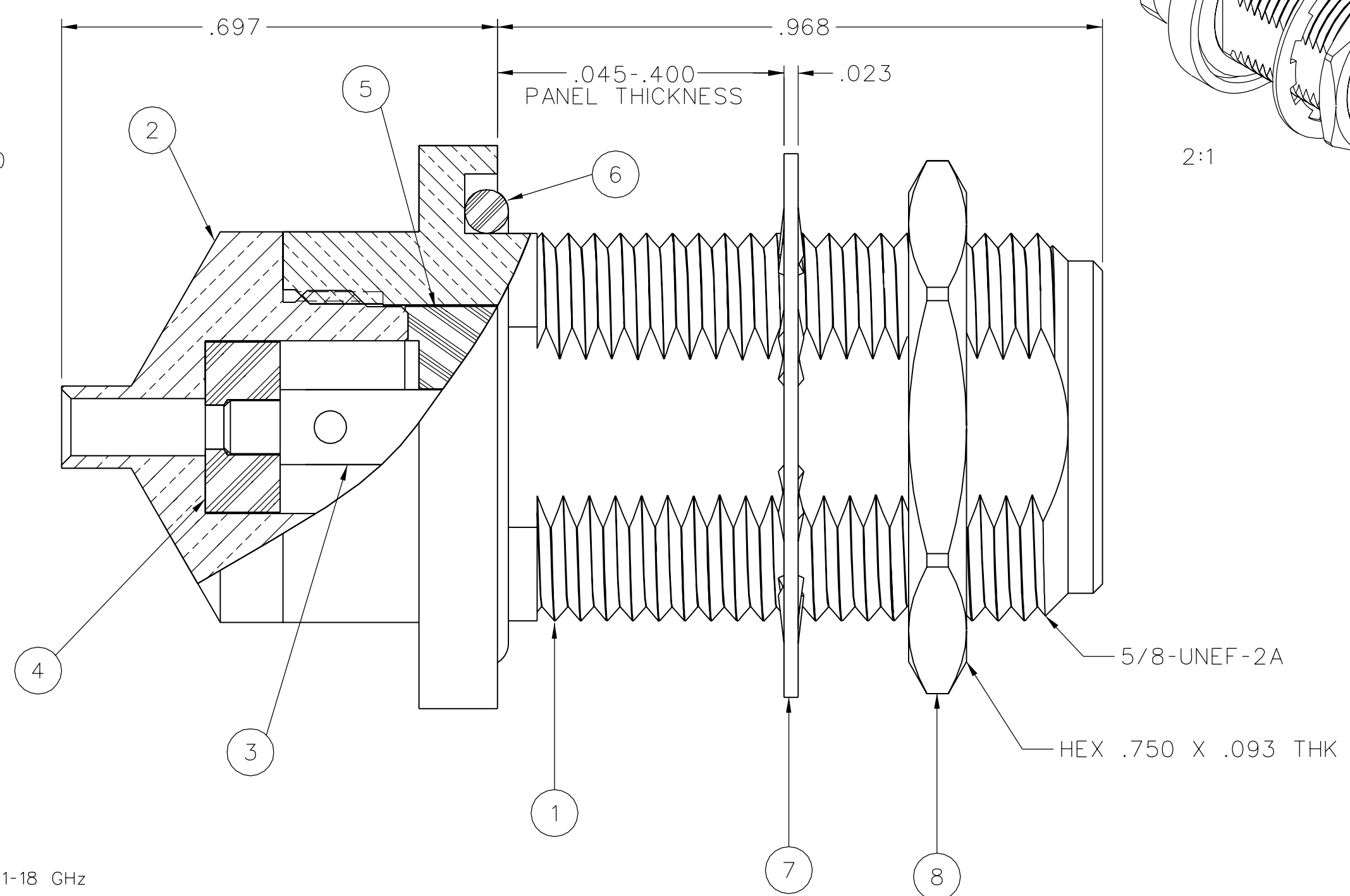
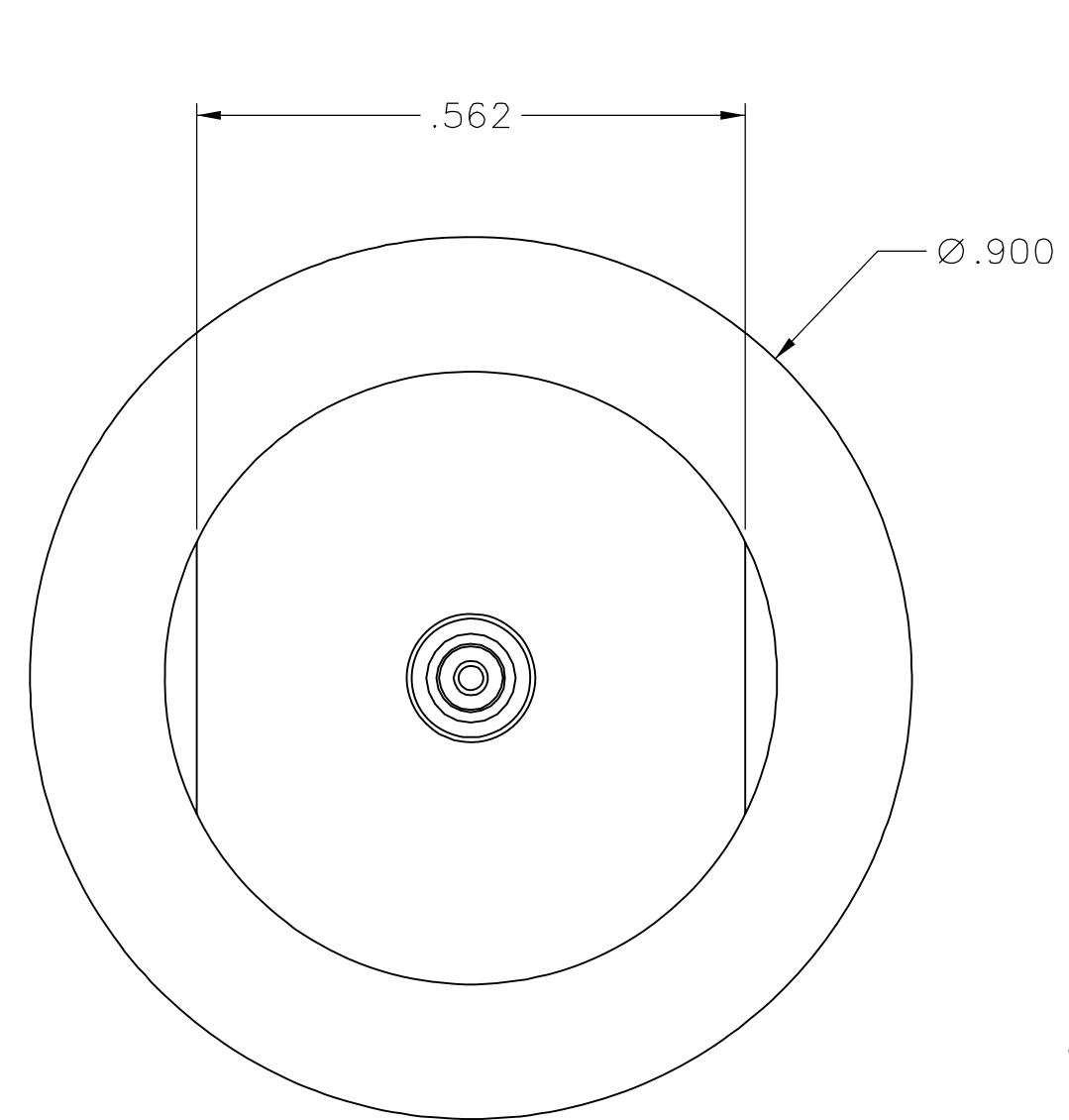
* REVISION NUMBER FOLLOWED BY AN ALPHA *
* CHARACTER INDICATES DRAWING CLARIFI- *
* CATION OR PART NUMBER ADDITION ONLY. *

1a	9-15-06	P A T	J R K	P D W	M J U	9-21-06 ECN 50630
----	---------	-------------	-------------	-------------	-------------	----------------------

LOCKWASHER TRI-ALLOY WAS ZINC

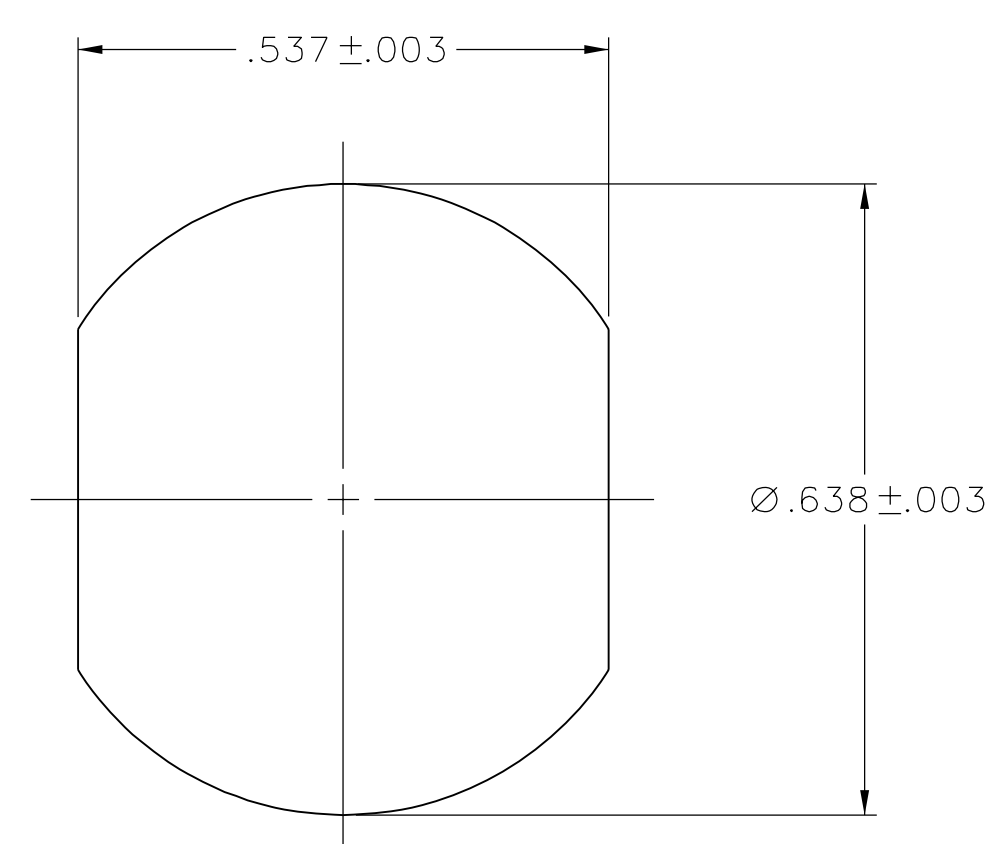
* REVISION NUMBER FOLLOWED BY AN ALPHA *
* CHARACTER INDICATES DRAWING CLARIFI- *
* CATION OR PART NUMBER ADDITION ONLY. *

1b	2-8-07	P A T	J R K	P D W	M J U	2-15-07 ECN 50939
----	--------	-------------	-------------	-------------	-------------	----------------------

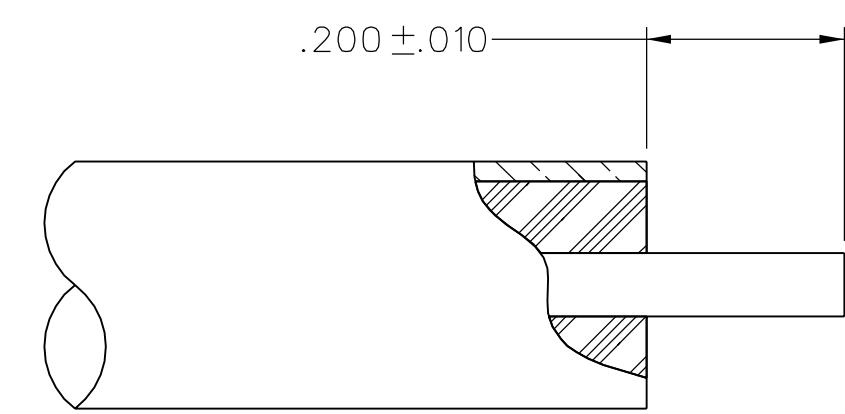


NOTES:

1. SPECIFICATIONS:
- IMPEDANCE: 50 OHMS
 - FREQUENCY RANGE: 0-18 GHz
 - VSWR: 1.15+.02F (GHz) MAX AT 0-11 GHz, TYPICALLY < 1.50 AT 11-18 GHz
 - WORKING VOLTAGE: 335 VRMS MAX AT SEA LEVEL
 - DIELECTRIC WITHSTANDING VOLTAGE: 1000 VRMS MIN AT SEA LEVEL
 - INSULATION RESISTANCE: 5000 MEGOHM MIN
 - CONTACT RESISTANCE:
 - CENTER CONTACT - INITIAL 1.0 MILLIOHM MAX, AFTER ENVIRONMENTAL 1.5 MILLIOHM MAX
 - OUTER CONDUCTOR - INITIAL 0.2 MILLIOHM MAX, AFTER ENVIRONMENTAL NOT APPLICABLE
 - CORONA LEVEL: 250 VOLTS MIN AT 70,000 FEET
 - INSERTION LOSS: .05√F (GHz), TESTED AT 9 GHz
 - RF LEAKAGE: -90 dB MIN AT 2 TO 3 GHz
 - RF HIGH POTENTIAL WITHSTANDING VOLTAGE: 670 VRMS AT 4 AND 7 MHz
 - THIRD ORDER INTERMODULATION PRODUCT (IMP3): TYPICALLY < -90 dBm (TESTED PER IEC GUIDELINES WITH 20W CW INPUTS AT 1930-1990 MHz)
- MECHANICAL:
- ENGAGE/DISENGAGE TORQUE: 6 IN-LBS MAX
 - MATING TORQUE: 7-10 IN-LBS
 - COUPLING PROOF TORQUE: NOT APPLICABLE
 - COUPLING NUT RETENTION: NOT APPLICABLE
 - CONTACT RETENTION: NOT APPLICABLE
 - CABLE ACCEPTABILITY: RG 405, .086 OD SEMIRIGID
 - CABLE HEX CRIMP SIZE: NOT APPLICABLE
 - CABLE RETENTION: 30 LBS MIN AXIAL FORCE
16 IN-OZ MIN TORQUE
 - DURABILITY: 500 CYCLES MIN
- ENVIRONMENTAL:
- (MEETS OR EXCEEDS THE APPLICABLE PARAGRAPH OF MIL-PRF-39012)
 - THERMAL SHOCK: MIL-STD-202, METHOD 107, CONDITION B, EXCEPT 85°C HIGH TEMP
 - OPERATING TEMPERATURE: -65°C TO 165°C
 - CORROSION: MIL-STD-202, METHOD 101, CONDITION B
 - SHOCK: MIL-STD-202, METHOD 213, CONDITION I
 - VIBRATION: MIL-STD-202, METHOD 204, CONDITION B
 - MOISTURE RESISTANCE: MIL-STD-202, METHOD 106



MOUNTING HOLE



CABLE STRIP DIMENSIONS
NOT TO SCALE

CUSTOMER DRAWING

THIS DRAWING TO BE INTERPRETED PER ASME Y 14.5M - 1994

"μ STATION"

COMPANY CONFIDENTIAL

TOLERANCE UNLESS OTHERWISE SPECIFIED	DRAWN BY JRK	DATE 11-7-05
DECIMALS	CHECKED BY PDW	DATE 4-11-06
.XX	APPROVED BY JRK	DATE 4-11-06
.XXX REF	RELEASE DATE	4-12-06
MATL	U/M	INCH
FINISH	SCALE	5:1

cinch Connectivity Solutions
P.O. Box 1732
Waseca, MN 56093
1-800-247-8256

TITLE
ASSEMBLY, TYPE N
BULKHEAD JACK
RG405 (.086) S/R

SHEET 2 OF 2
DRAWING NO.
C - 138-4593-401/410