

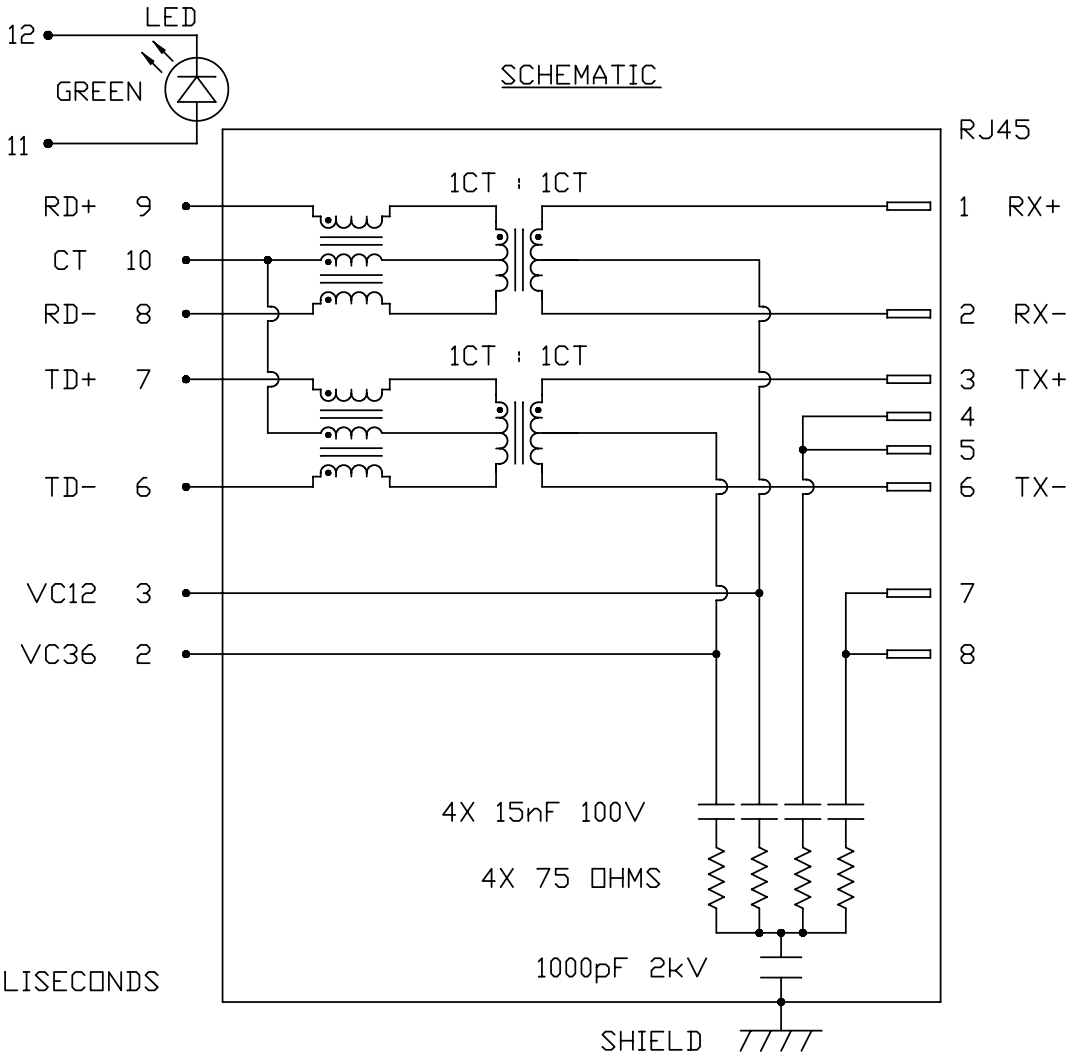
THE INFORMATION CONTAINED HEREIN IS CONSIDERED "PROPRIETARY" TO BEL FUSE INC. AND SHALL NOT BE COPIED, REPRODUCED OR DISCLOSED WITHOUT THE WRITTEN APPROVAL OF BEL FUSE INC.



LED POLARITY		
PIN 11	PIN 12	COLOR
+	-	GREEN

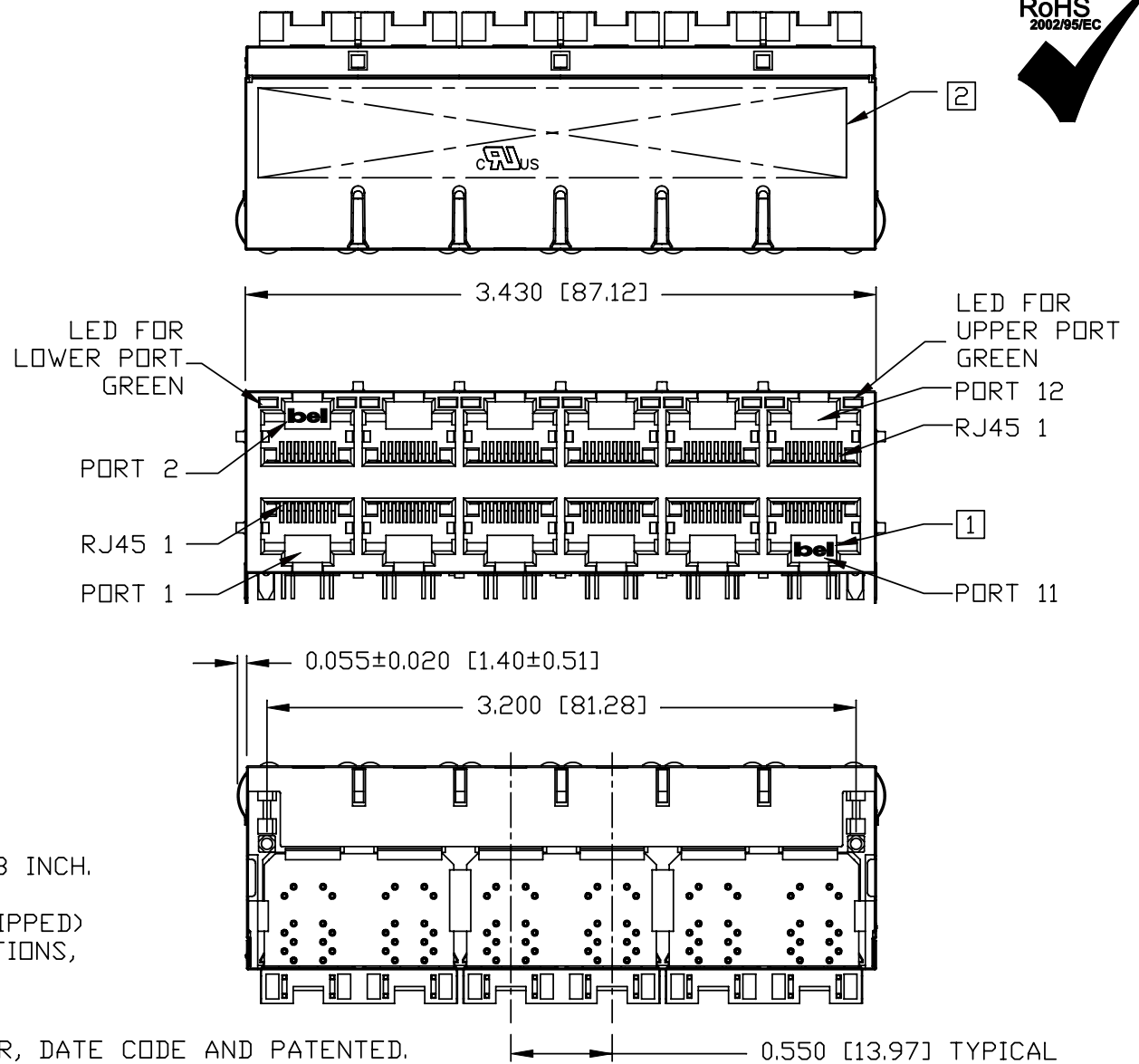
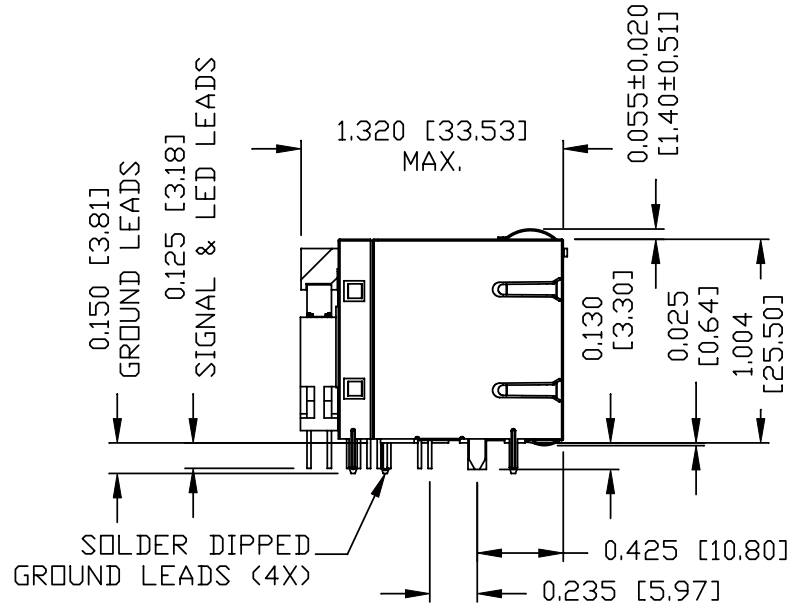
ELECTRICAL CHARACTERISTICS @ 25°C

<p>URNS RATIO 1CT : 1CT ±2%</p> <p>CL @ 0.1V, 100KHz 8mA DC BIAS 350µH MIN.</p> <p>INSERTION LOSS 100KHz TO 100MHZ -1.5 dB MAX.</p> <p>RETURN LOSS (MIN.) 2MHZ-30MHZ 60MHZ-80MHZ -16 dB MIN. -10 dB MIN.</p> <p>D.C. RESISTANCE (9-8)=(7-6) (RJ1-RJ2)=(RJ3-RJ6) 1.40 Ω MAX. 1.0 Ω MAX.</p> <p>INTERWINDING CAPACITANCE PER CHANNEL (PRI. to SEC.) 40 pF MAX.</p> <p>CROSSTALK 100KHz TO 100MHZ -30 dB MIN.</p> <p>HIPOT (Isolation Voltage): 2250 VDC 100% OF PRODUCTION TESTED TO COMPLY WITH IEEE 802.3 ISOLATION REQUIREMENT</p> <p>LED VF (FORWARD VOLTAGE) IF=20mA GREEN 2.2V TYP. λD (DOMINANT WAVELENGTH) IF=20mA GREEN 565nm TYP.</p> <p>BALANCED DC LINE CURRENT 350 mA MAX. @ 57 VDC CONTINUOUS 500 mA MAX. @ 57 VDC FOR 200 MILLISECONDS</p>	
---	--



ORIGINATED BY CHOW WANGCHUNG DATE 11-16-09	TITLE 2X6 10/100 MagJack® PoE With LEDs 0864-2G6R-55-F PATENTED	PART NO. / DRAWING NO. 08642G6R55-F FILE NAME 08642G6R55-F_A.DWG	STANDARD DIM. TOL. IN INCH .X .XX .XXX		[] METRIC DIM. AS REFERENCE UNIT : INCH [mm] REV. : A SCALE : N/A SIZE : A4 PAGE : 2		 COMPONENTS FOR A CONNECTED PLANET
			DRAWN BY LEE WEIDE DATE 11-16-09	FILE NAME 08642G6R55-F_A.DWG	.X .XX .XXX	UNIT : INCH [mm] REV. : A SCALE : N/A SIZE : A4 PAGE : 2	

THE INFORMATION CONTAINED HEREIN IS CONSIDERED "PROPRIETARY" TO BEL FUSE INC. AND SHALL NOT BE COPIED, REPRODUCED OR DISCLOSED WITHOUT THE WRITTEN APPROVAL OF BEL FUSE INC.



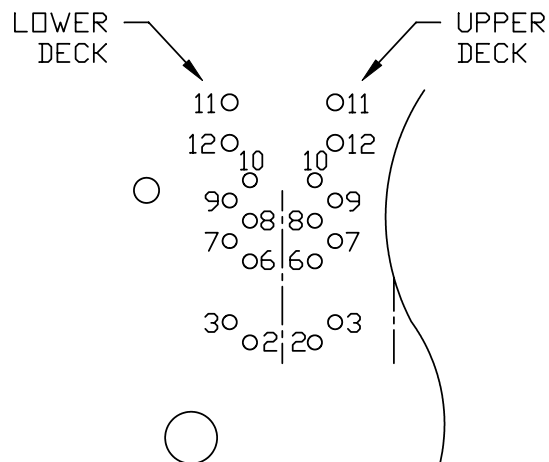
NOTES:
 PLASTIC HOUSING: THERMOPLASTIC PBT
 FLAMMABILITY RATING UL 94V-0
 CONTACT PLATING: 50 MICRO-INCH HARD GOLD PLATING
 OUTPUT PINS: TIN-COATED COPPER WIRE, DIA 0.018 INCH.
 METAL SHIELD: NICKEL PLATED ON COPPER ALLOY.
 (ALL GROUND LEADS ARE SOLDER DIPPED)

- 1 JACK CAVITY CONFORMS TO FCC RULES AND REGULATIONS, PART 68 SUBPART F.
- 2 MARK PART WITH MFG LOGO MFG, NAME, PART NUMBER, DATE CODE AND PATENTED.
- 3. RoHS COMPLIANCE, PER EU DIRECTIVE 2002/95/EC.
- 4. THE PRODUCT IS PATENTED, THE PATENT NUMBER IS U.S. PAT. 5,736,910.

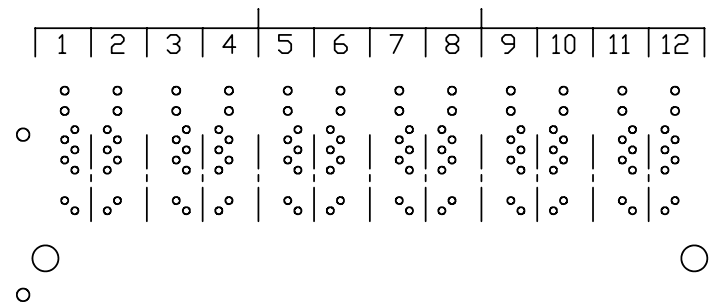
ORIGINATED BY LIU QIN	DATE 11-16-09	TITLE 2X6 10/100 MagJack® PoE With LEDs 0864-2G6R-55-F PATENTED	PART NO. / DRAWING NO. 08642G6R55-F	STANDARD DIM. TOL. IN INCH		[] METRIC DIM. AS REFERENCE		
				.X		UNIT : INCH [mm]	REV. : A	
DRAWN BY XIAN JIAXIN	DATE 11-16-09		FILE NAME 08642G6R55-F_A.DWG	.XX		SCALE : N/A	SIZE : A4	
				.XXX	±0.010		PAGE : 3	

THE INFORMATION CONTAINED HEREIN IS CONSIDERED "PROPRIETARY" TO BEL FUSE INC. AND SHALL NOT BE COPIED, REPRODUCED OR DISCLOSED WITHOUT THE WRITTEN APPROVAL OF BEL FUSE INC.

RoHS
2002/95/EC



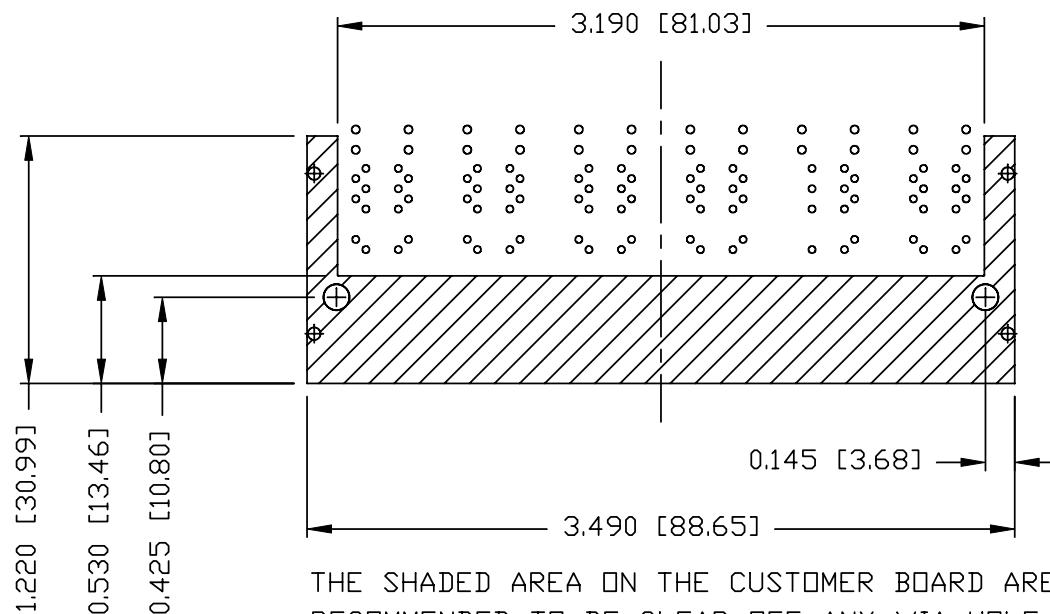
PORT ASSIGNMENT
(COMPONENT SIDE VIEW)



PIN-OUT INFORMATION
(COMPONENT SIDE VIEW)

12	GREEN (-)
11	GREEN (+)
10	COMMON CT
9	RD+
8	RD-
7	TD+
6	TD-
5	NO PIN
4	NO PIN
3	VC12
2	VC36
1	NO PIN

UNUSED PIN LOCATIONS MUST BE REMOVED TO ENSURE 2KV ISOLATION.



THE SHADED AREA ON THE CUSTOMER BOARD ARE RECOMMENDED TO BE CLEAR OFF ANY VIA HOLE OR COMPONENT PAD.

ORIGINATED BY LIU QIN	DATE 11-16-09
DRAWN BY XIAN JIAXIN	DATE 11-16-09

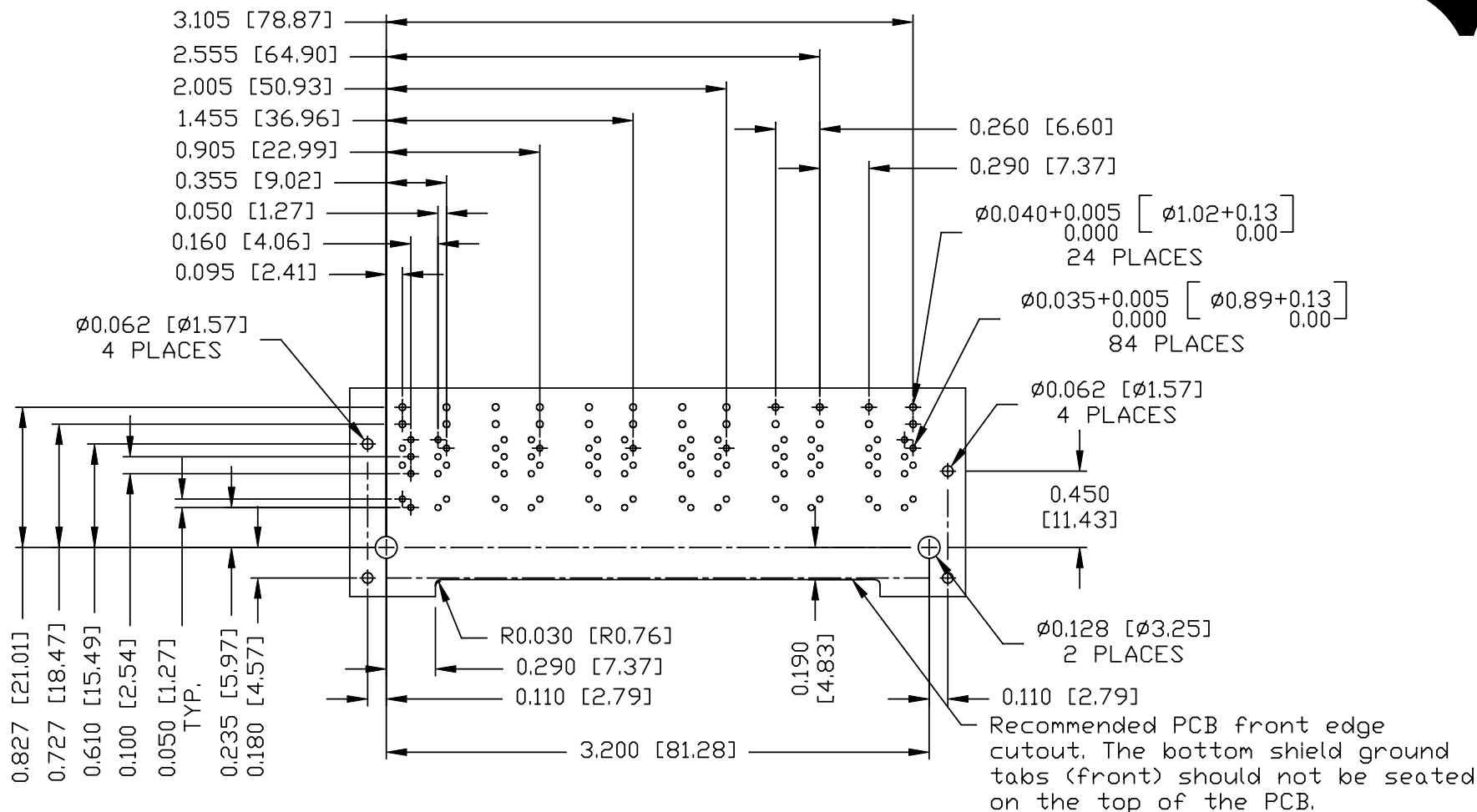
TITLE 2X6 10/100 MagJack® PoE With LEDs 0864-2G6R-55-F PATENTED

PART NO. / DRAWING NO. 08642G6R55-F
FILE NAME 08642G6R55-F_A.DWG

STANDARD DIM. TOL. IN INCH	[] METRIC DIM. AS REFERENCE
.X	UNIT : INCH [mm]
.XX	SCALE : N/A
.XXX ±0.004	REV. : A
	SIZE : A4
	PAGE : 4



THE INFORMATION CONTAINED HEREIN IS CONSIDERED "PROPRIETARY" TO BEL FUSE INC. AND SHALL NOT BE COPIED, REPRODUCED OR DISCLOSED WITHOUT THE WRITTEN APPROVAL OF BEL FUSE INC.



SUGGESTED FOOTPRINT
(COMPONENT SIDE VIEW)

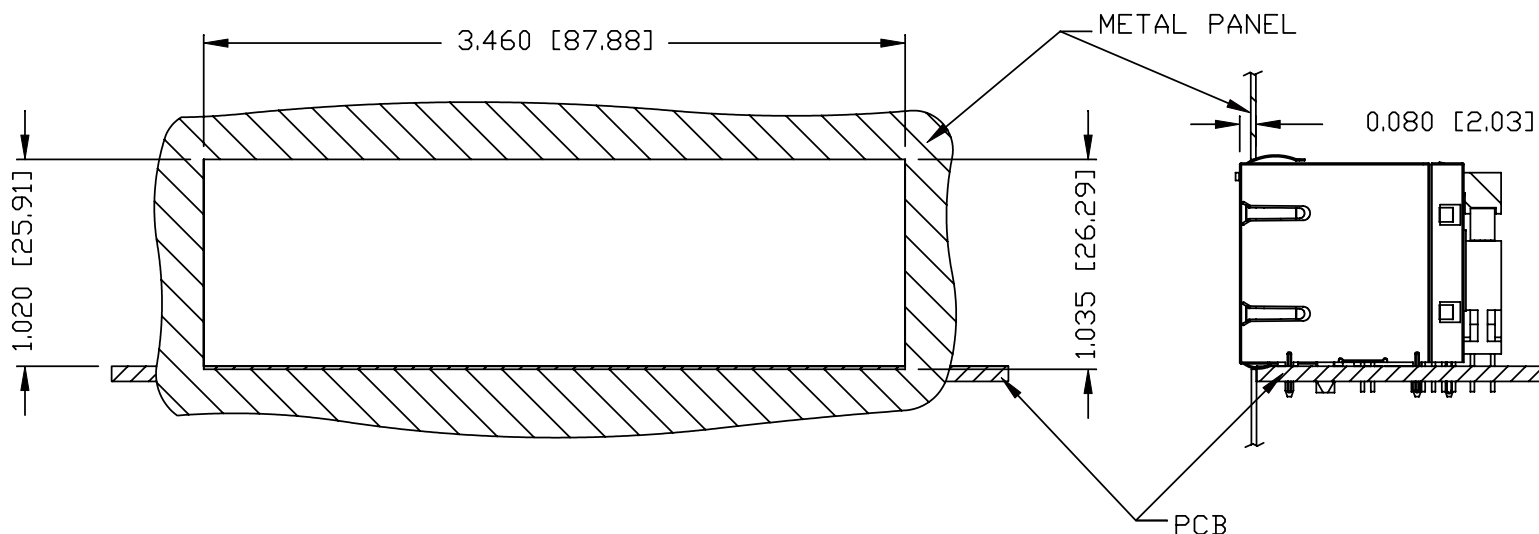
ORIGINATED BY LIU QIN	DATE 11-16-09	TITLE 2X6 10/100 MagJack® PoE With LEDs 0864-2G6R-55-F PATENTED	PART NO. / DRAWING NO. 08642G6R55-F	STANDARD DIM. TOL. IN INCH		[] METRIC DIM. AS REFERENCE		 COMPONENTS FOR A CONNECTED PLANET
				.X		UNIT : INCH [mm]	REV. : A	
DRAWN BY XIAN JIAXIN	DATE 11-16-09		FILE NAME 08642G6R55-F_A.DWG	.XX		SCALE : N/A	SIZE : A4	PAGE : 5
				.XXX	±0.004			

THE INFORMATION CONTAINED HEREIN IS CONSIDERED "PROPRIETARY" TO BEL FUSE INC. AND SHALL NOT BE COPIED, REPRODUCED OR DISCLOSED WITHOUT THE WRITTEN APPROVAL OF BEL FUSE INC.

RoHS
2002/95/EC



SUGGESTED PANEL OPENING



NOTE:

THE DISTANCE OF PANEL INSIDE SURFACE RELATIVE TO FRONT SURFACE OF PART IS ONLY A SUGGESTION. IN CASE THIS DISTANCE IS DIFFERENT, THE REQUIRED PANEL OPENING DIMENSIONS CHANGE ACCORDINGLY.

PACKING INFORMATION

PACKING TRAY : 0200-9999-E1 (TOP)

0200-9999-F5 (BOTTOM)

PACKING QUANTITY : 15 PCS FINISHED GOODS PER TRAY

6 TRAYS (90 PCS FINISHED GOODS) PER CARTON BOX

NOTE : CARDBOARDS ARE PLACED BETWEEN LAYERS OF PACKING TRAY INSIDE CARTON BOX
(INCLUDE THE UPPERMOST AND LOWERMOST TRAY)

ORIGINATED BY LIU QIN	DATE 11-16-09	TITLE 2X6 10/100 MagJack® PoE With LEDs 0864-2G6R-55-F PATENTED	PART NO. / DRAWING NO. 08642G6R55-F	STANDARD DIM. TOL. IN INCH		[] METRIC DIM. AS REFERENCE		bel COMPONENTS FOR A CONNECTED PLANET
				.X		UNIT : INCH [mm]	REV. : A	
DRAWN BY XIAN JIAXIN	DATE 11-16-09		FILE NAME 08642G6R55-F_A.DWG	.XX		SCALE : N/A	SIZE : A4	PAGE : 6
				.XXX	±0.004			