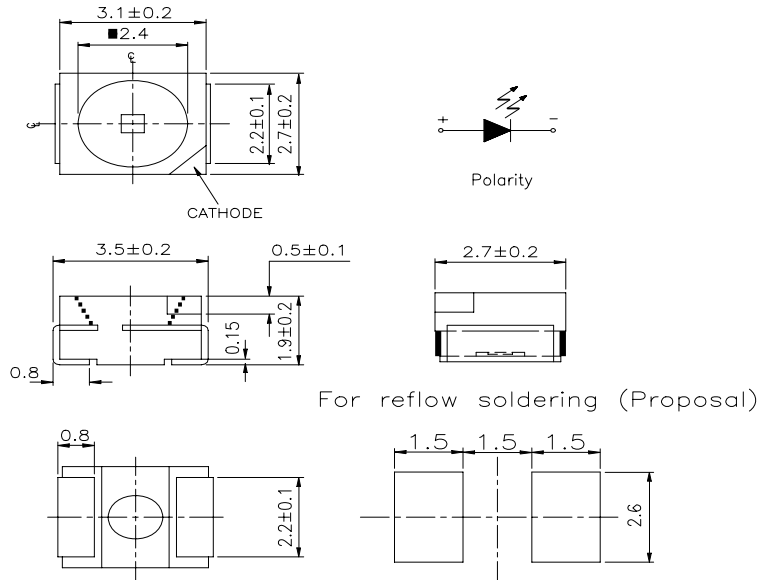
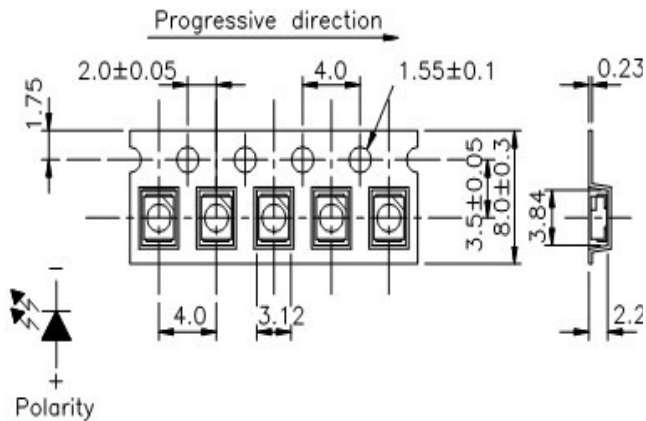


**1. Outline Dimension:**



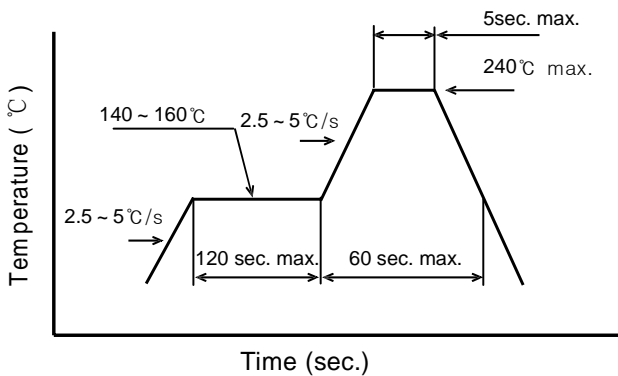
**2. Tape Dimension:**



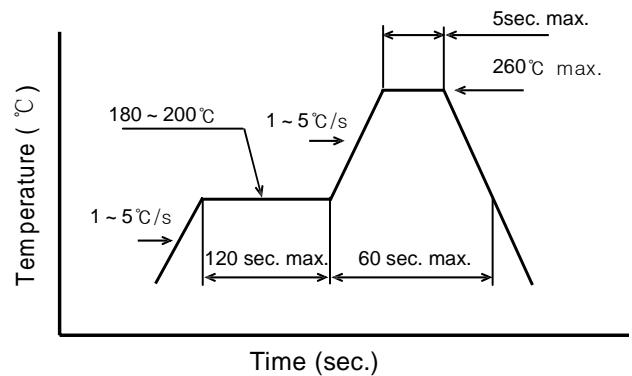
**Note:** The tolerances unless mentioned is  $\pm 0.1$  mm ,Unit = mm

**3. Reflow Soldering:**

● Lead Solder



● Lead-free Solder



**Note:** Number of reflow process shall be less than 2 times and cooling process to normal temperature is required between first and Second soldering process.