

PART NUMBER and LEGEND	LED COLOR			
	POSITION 1	POSITION 2	POSITION 3	POSITION 4
568-0701-823F	RED / GREEN	YELLOW / GREEN	YELLOW / GREEN	YELLOW / GREEN

REV	ECN NO	REVISIONS	DRN	CKD	APP	DATE
A		NEW RELEASE	TWC	N.O.	MES	7-27-06
B		CHANGED POLARITY ON SCHEMATIC TO MATCH FRONT VIEW; ADD R/G SCHEMATIC PIN 7 RED CATHODE.	TC			

NOTES:

- LEADS TO FIT INTO HOLES SPACED AS PER HOLE PATTERN
- LED LEAD DIMENSIONS SHOWN ARE MEASURED AT HOUSING EXIT.
- PIN NUMBERS FOR REFERENCE ONLY, DESIGNATION NON-EXISTENT ON PARTS.
- DIALIGHT PART NUMBER: 568-0701-823F
- PACKAGE PARTS IN ANTI-STATIC TUBES. 100 PC'S PER TUBE WITH 2 END PLUGS. APPLY LABEL WITH DIALIGHT P/N, DATE CODE, QTY/TUBE. 6- THIS ASSEMBLY CONTAINS ELECTROSTATIC DISCHARGE SENSITIVE DEVICES (ESDS). MAINTAIN ALL PRECAUTIONARY MEASURES DURING ASSEMBLY, HANDLING AND STORAGE IN ACCORDANCE WITH IPC-A-610.

OPERATING CHARACTERISTICS AT 25 ° C AMBIENT

LED CHARACTERISTICS	COLOR	MIN.	TYP.	MAX.	UNITS	TEST CONDITIONS
LUMINOUS INTENSITY	GREEN YELLOW	2.5 2.5	6.3 4.3		mcd	$I_f = 10 \text{ mA}$
FORWARD VOLTAGE	GREEN YELLOW		2.1	2.8	V	$I_f = 20 \text{ mA}$
PEAK WAVELENGTH (λ_p)	GREEN YELLOW		565 585		nm	
DOMINANT WAVELENGTH (λ_d)	GREEN YELLOW (Y3) YELLOW (Y2)	585 583	569	589 587	nm	MEASURED ON EXELTRON 2001
VIEWING ANGLE ($2 \theta \ 1/2$)	GREEN YELLOW		80		DEGREES	
CAPACITANCE	GREEN YELLOW		35 15		pF	$V_R = 0 \text{ V}, f = 1 \text{ MHz}$

ABSOLUTE MAXIMUM RATINGS AT 25 ° C AMBIENT

	GREEN	YELLOW	UNITS
POWER DISSIPATION	100	60	mW
DERATE LINEARLY FROM 50 ° C	0.4	0.25	mA / °C
CONTINUOUS FORWARD CURRENT	30	20	mA
PEAK FORWARD CURRENT (1/10 DUTY CYCLE, 0.1 ms PULSE WIDTH)	120	80	mA
LEAD SOLDERING TEMPERATURE, 5 SEC., 1/16" FROM BODY	260		°C
OPERATING TEMPERATURE	-55 TO +100		°C
STORAGE TEMPERATURE	-55 TO +100		°C

LED COLOR = GRN/RED BI-COLOR

OPERATING CHARACTERISTICS AT 25 ° C AMBIENT

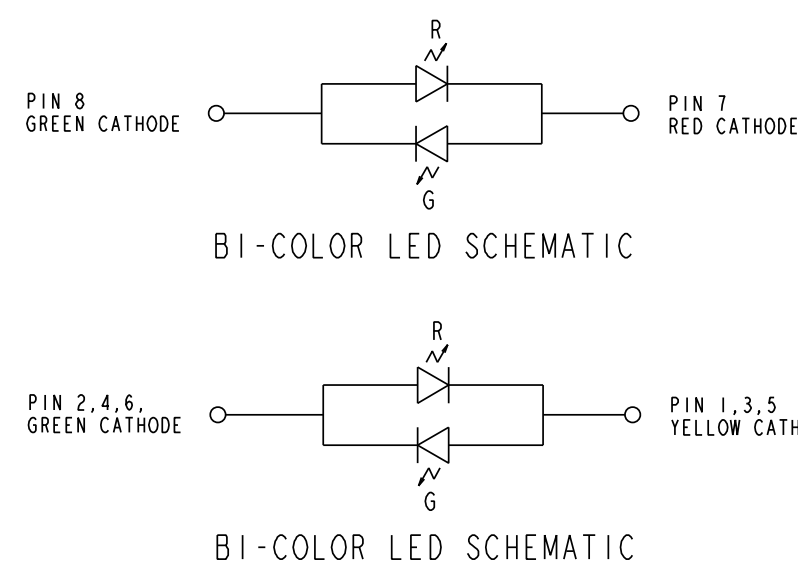
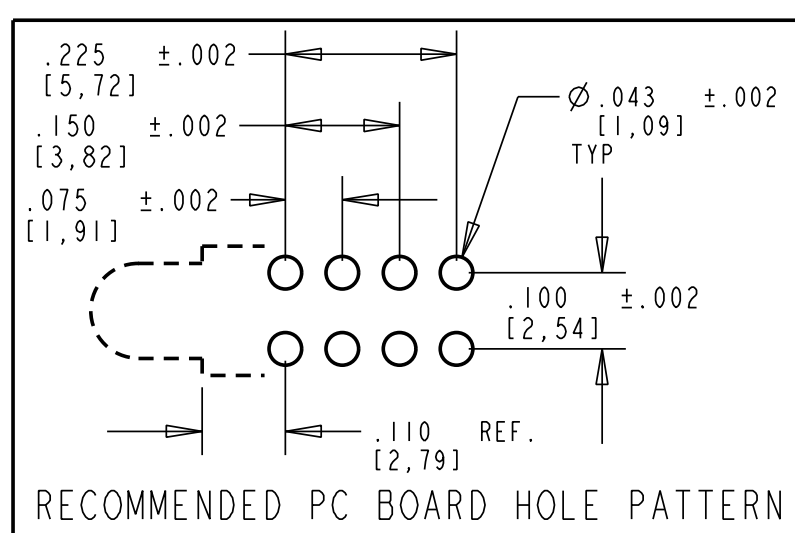
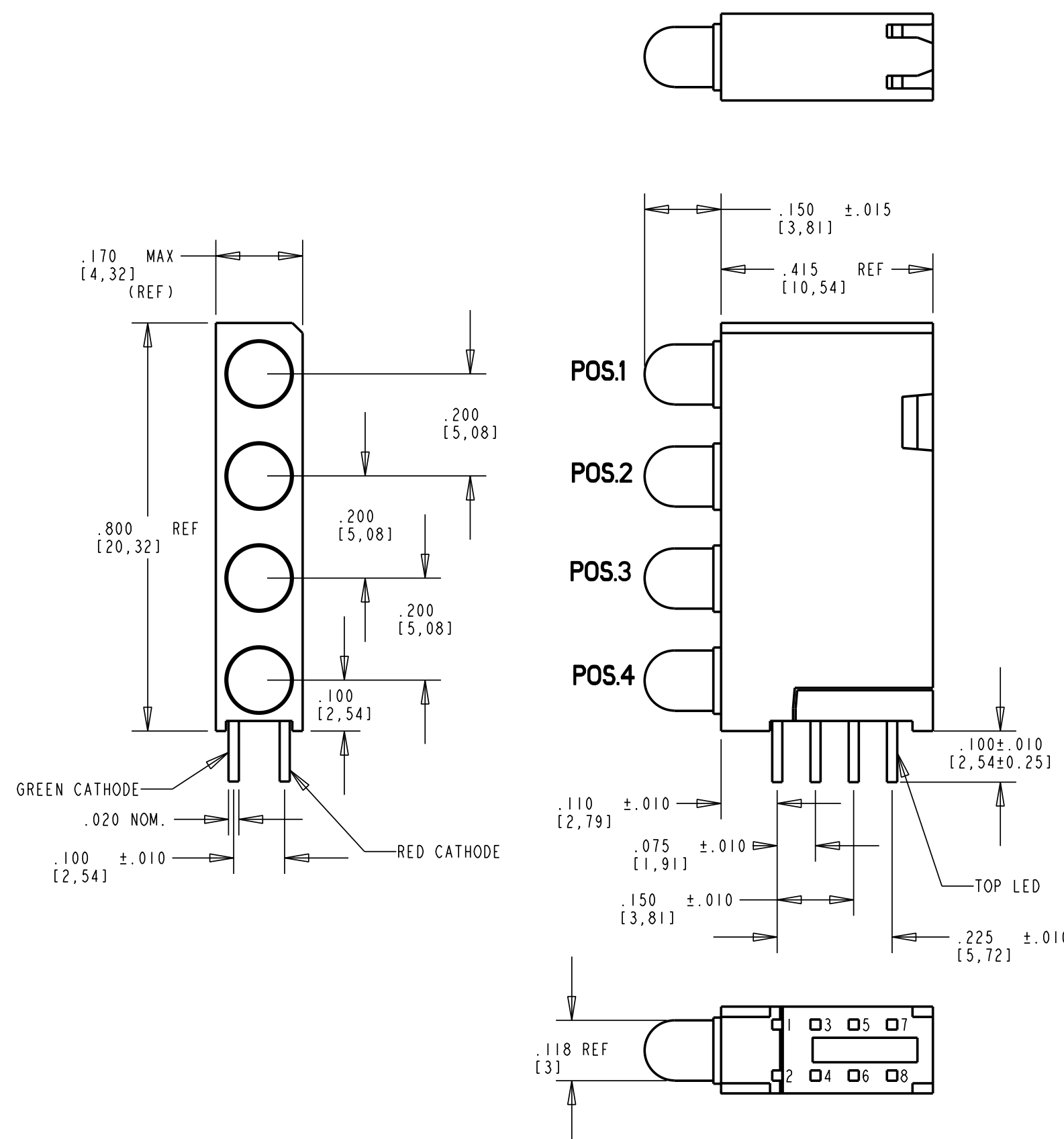
CHARACTERISTICS	COLOR	MIN	TYP	MAX	UNITS	TEST CONDITIONS
LUMINOUS INTENSITY	GREEN	3.7	10.0		mcd	$I_f = 10 \text{ mA}$
	RED	2.5	4.7			
FORWARD VOLTAGE	GREEN		2.1	2.8	V	$I_f = 20 \text{ mA}$
	RED		2.0			
PEAK WAVELENGTH	GREEN		565		nm	$I_f = 20 \text{ mA}$
	RED		635			
VIEWING ANGLE	GREEN		60		DEGREES	

ABSOLUTE MAXIMUM RATINGS AT 25 ° C AMBIENT

	GREEN	RED	UNITS
POWER DISSIPATION	100		mW
DERATE LINEARLY FROM 50 ° C	0.4		mA / °C
CONTINUOUS FORWARD CURRENT	30		mA
PEAK FORWARD CURRENT (1/10 DUTY CYCLE, 10 ms PULSE WIDTH)	120		mA
LEAD SOLDERING TEMPERATURE, 6 SEC., 1/16" FROM BASE	260		°C
OPERATING TEMPERATURE	-55 TO +100		°C
STORAGE TEMPERATURE	-55 TO +100		°C

RoHS Compliant 568-0701-823F

Part Numbers with the "F" suffix ending are RoHS Compliant. Packaging is marked with "RoHS Compliant" label or equivalent markings. Parts can be wave soldered, dip soldered or hand soldered using typical lead-free soldering process with max 260°C temp. for 5 sec.



ATTENTION:
OBSERVE PRECAUTIONS FOR
HANDLING ELECTROSTATIC
SENSITIVE DEVICES

THIS DRAWING AND THE CONTENTS HEREIN ARE CONFIDENTIAL AND THE SOLE PROPERTY OF DIALIGHT. REPRODUCTION OF THIS DRAWING OR CONSTRUCTION OF ANY PARTS WITHIN THIS DRAWING ARE FORBIDDEN WITHOUT THE WRITTEN CONSENT OF DIALIGHT.		
SCALE: DRAWING SCALE ALL DIM'S IN: INCHES (MM)	DRAWING NUMBER C-17421	REV B
TOLERANCES: UNLESS OTHERWISE SPECIFIED FRACTIONS: ±1/64 DECIMALS (.XXX): ±.01 DECIMALS (.XXXX): ±.005 DECIMALS (.XXXXX): ±.0005 ANGLES: ±1°	TITLE CUSTOM 4X1 CBT BLOCK, R/G, Y/G, Y/G, Y/G, SPECIAL LEAD TRIM .100", RoHS COMPLIANT	
FINISH:	MATERIAL	
FSCM 83330	Dialight 1501 ROUTE 34 SOUTH FARMINGDALE, NJ 07727	
SHEET 1 OF 1 FAMILY TABLE:		