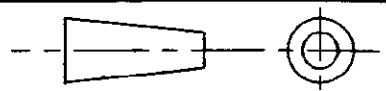
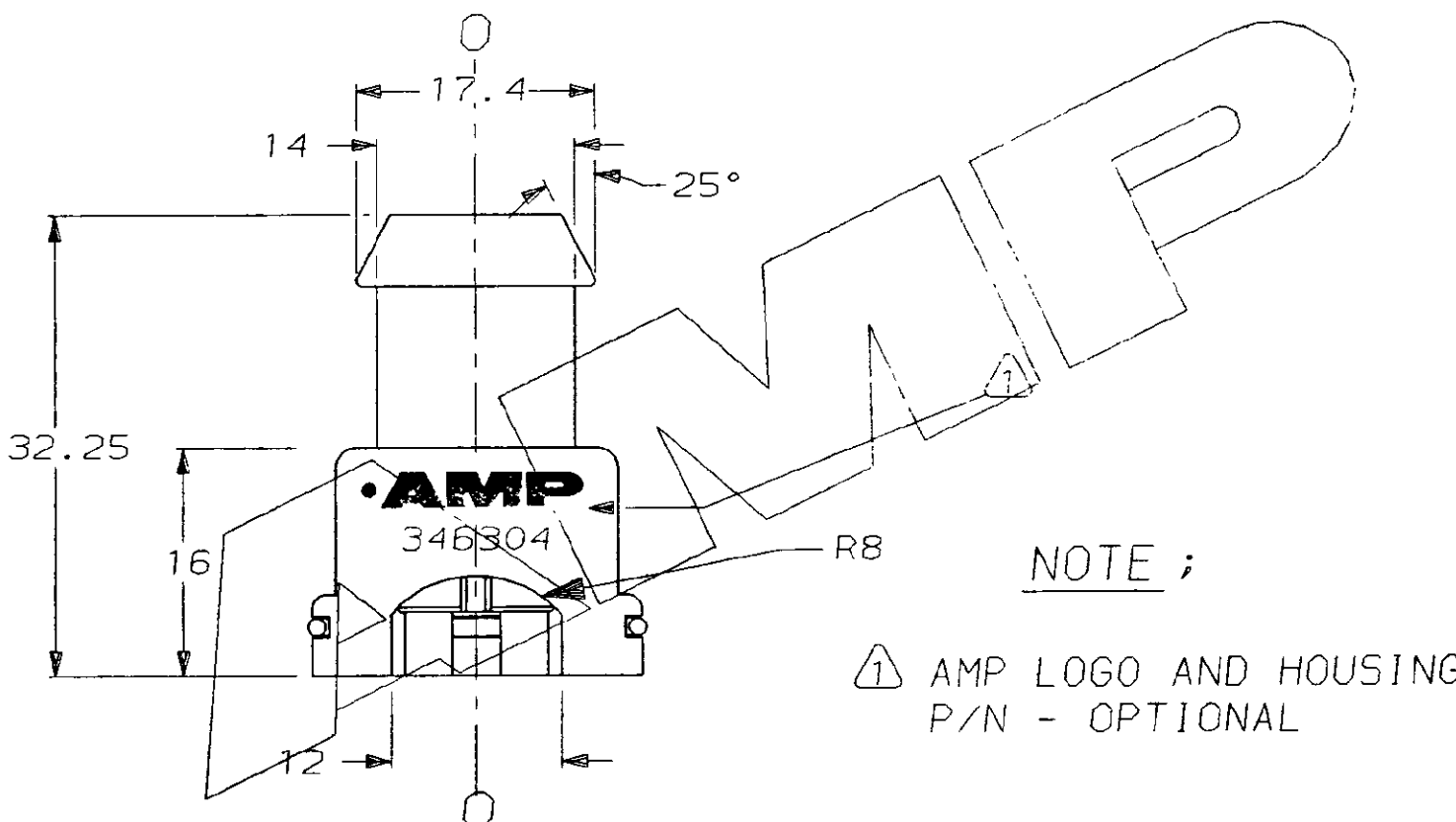
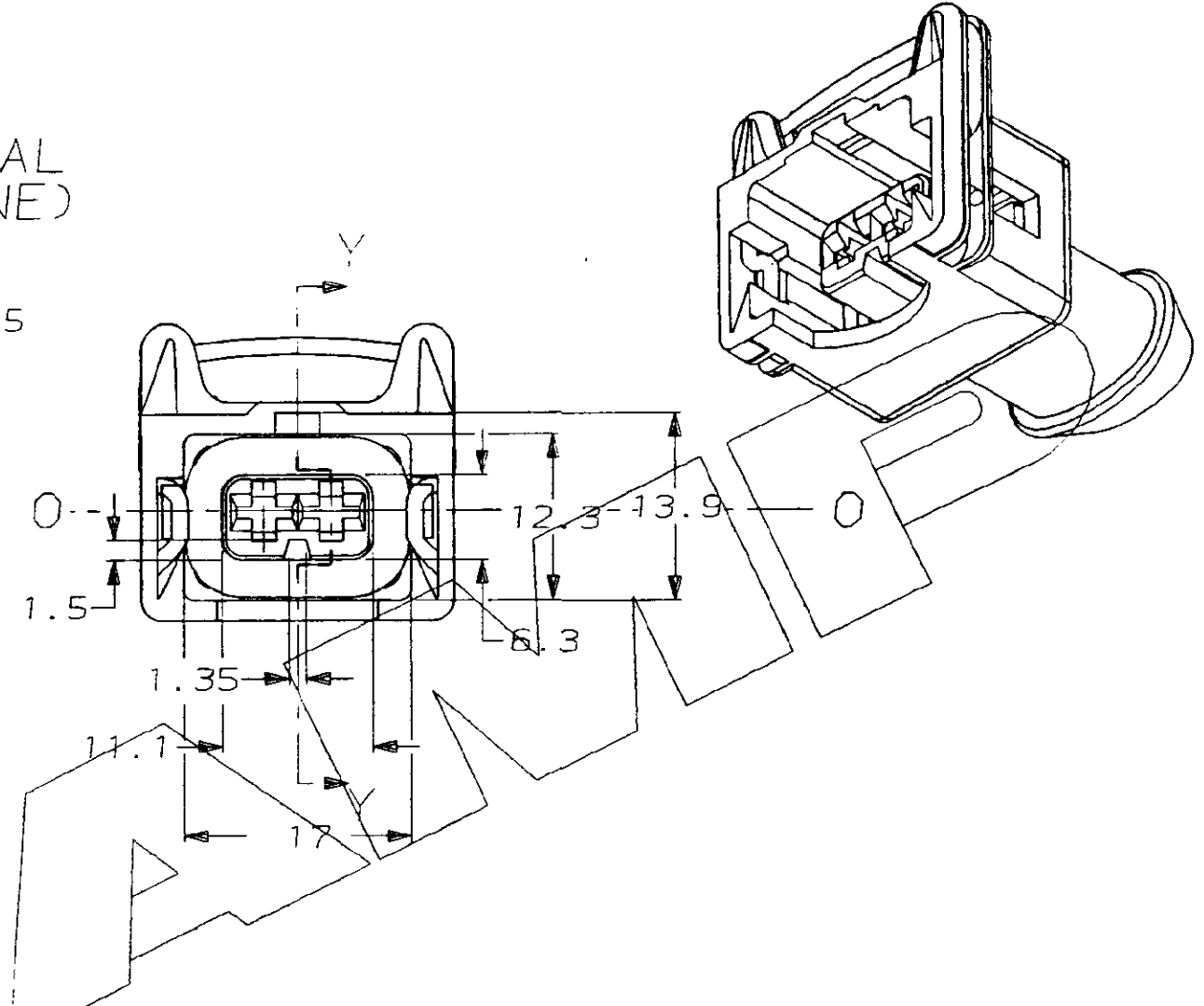
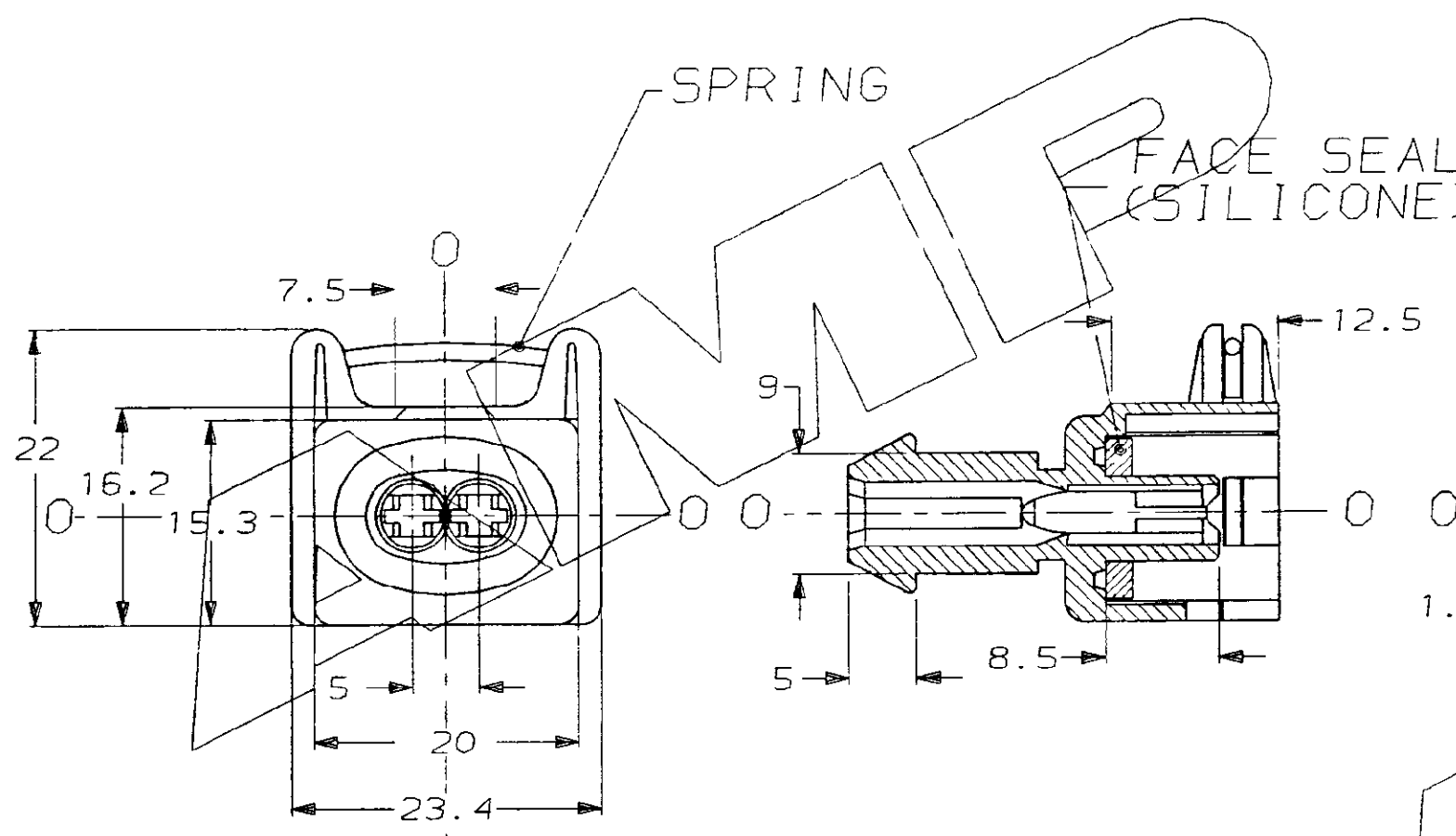


DO NOT SCALE

DIMENSIONS IN MM.



C.A.D. FILE CODE  
S.C347887.0



NOTE ;

① AMP LOGO AND HOUSING P/N - OPTIONAL

COLOUR	HOUSING MATERIAL	ASSY PART NUMBER
-	P.A.6.6 30GFV	-
GREEN	-	347887-6
BROWN	-	347887-4
BLACK	-	347887-3
GREY	-	347887-2
-	P.A.6.6 30GFV	-

CUSTOMER DWG FOR REFERENCE ONLY

© COPYRIGHT 1991 BY AMP OF GREAT BRITAIN LTD. ALL INTERNATIONAL RIGHTS RESERVED. ALL PRODUCTS MAY BE COVERED BY BRITISH AND FOREIGN PATENTS AND/OR PATENTS PENDING.

RELEASED FOR PUBLICATION 12 SEP 1991

TOLERANCES UNLESS OTHERWISE STATED :		DR. K WILLIAMS		17-06-93	
DEC ± 0.5		CH. J PRYCE		APP. J PALMER	
ANGLES ± 1°					
NAME 2 WAY JUNIOR POWER TIMER CONNECTOR (ASSY. WITH GB. SILICONE SEAL)					
0	REL. PROD	EB00-0418-93	21-10-93	SCALE	LOC
1	KHW	-	01-12-92	2/1	E
REV APPROVED		ECN	DATE	SIZE	DWG.No.
				A3	C347887
				REV	SHEET
				0	1/1