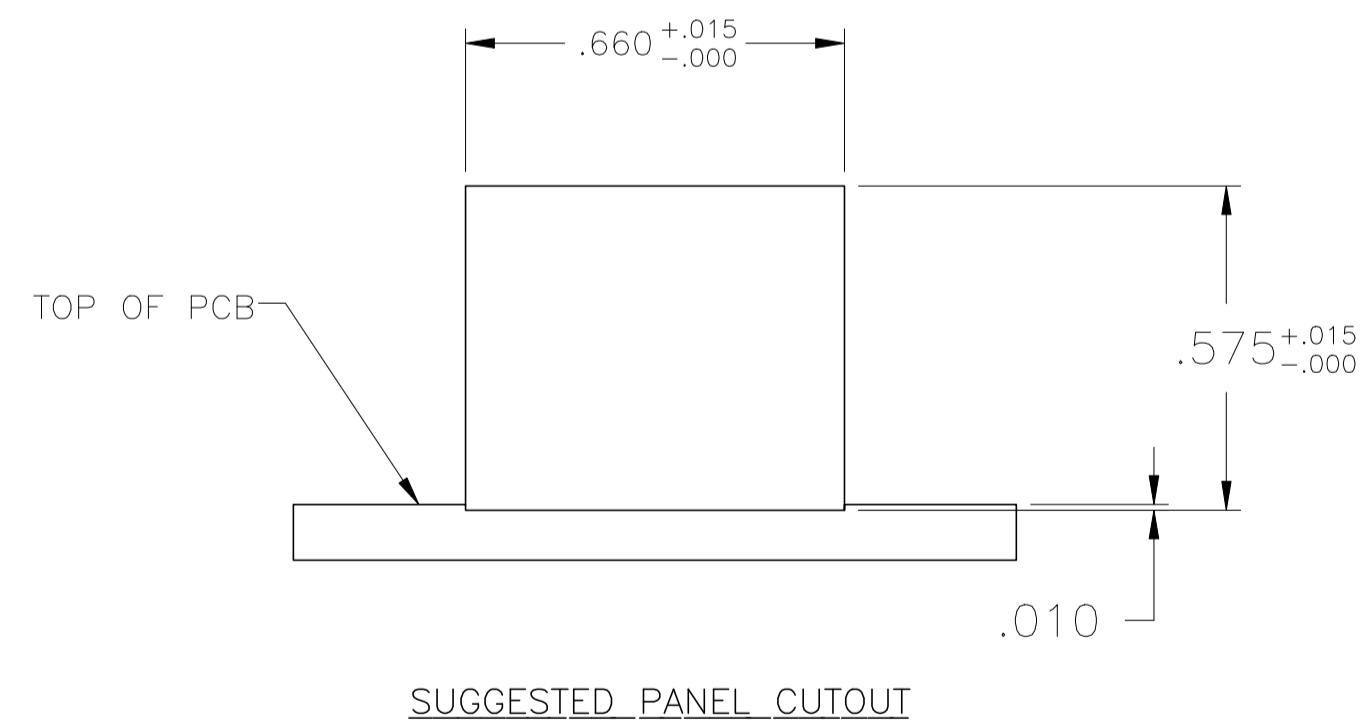
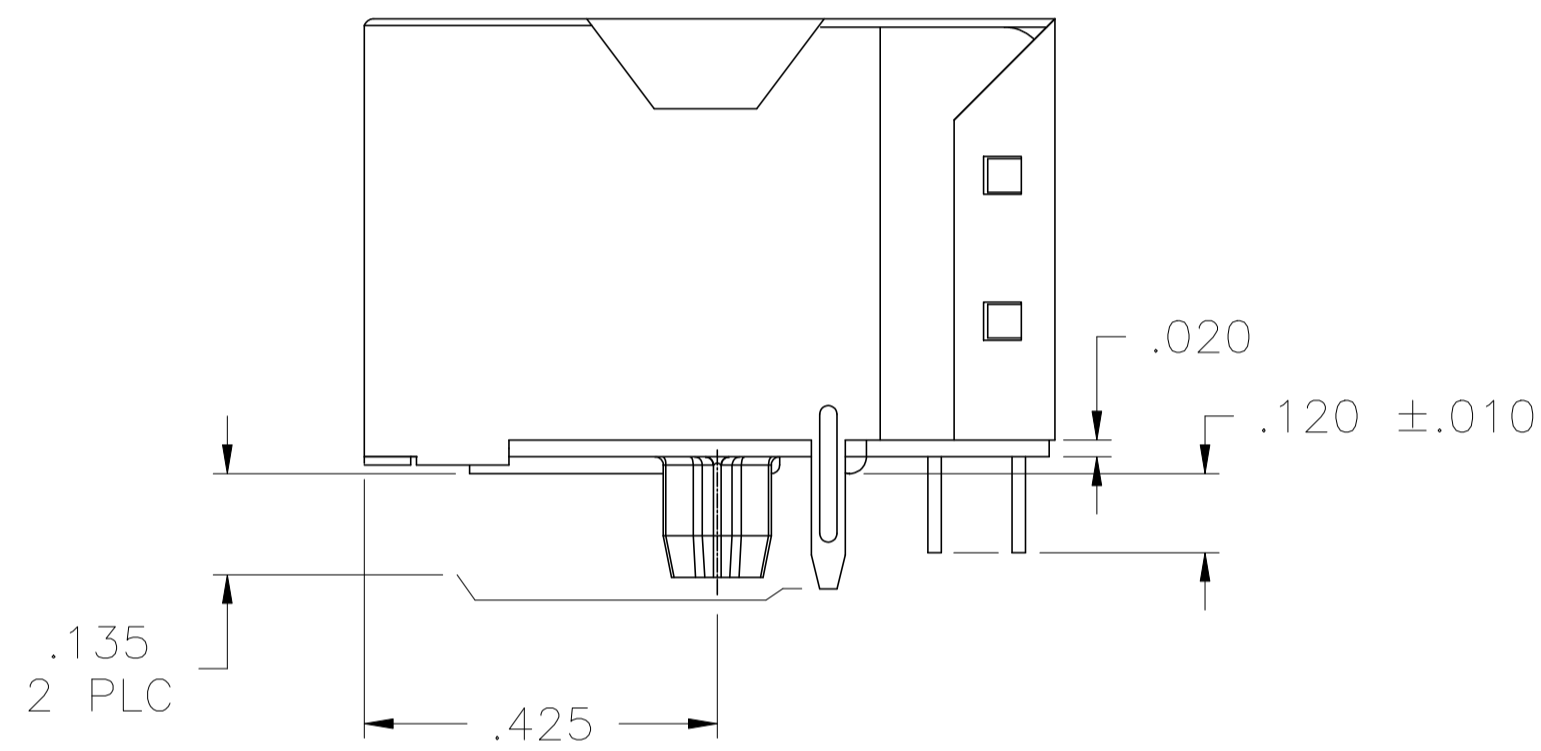
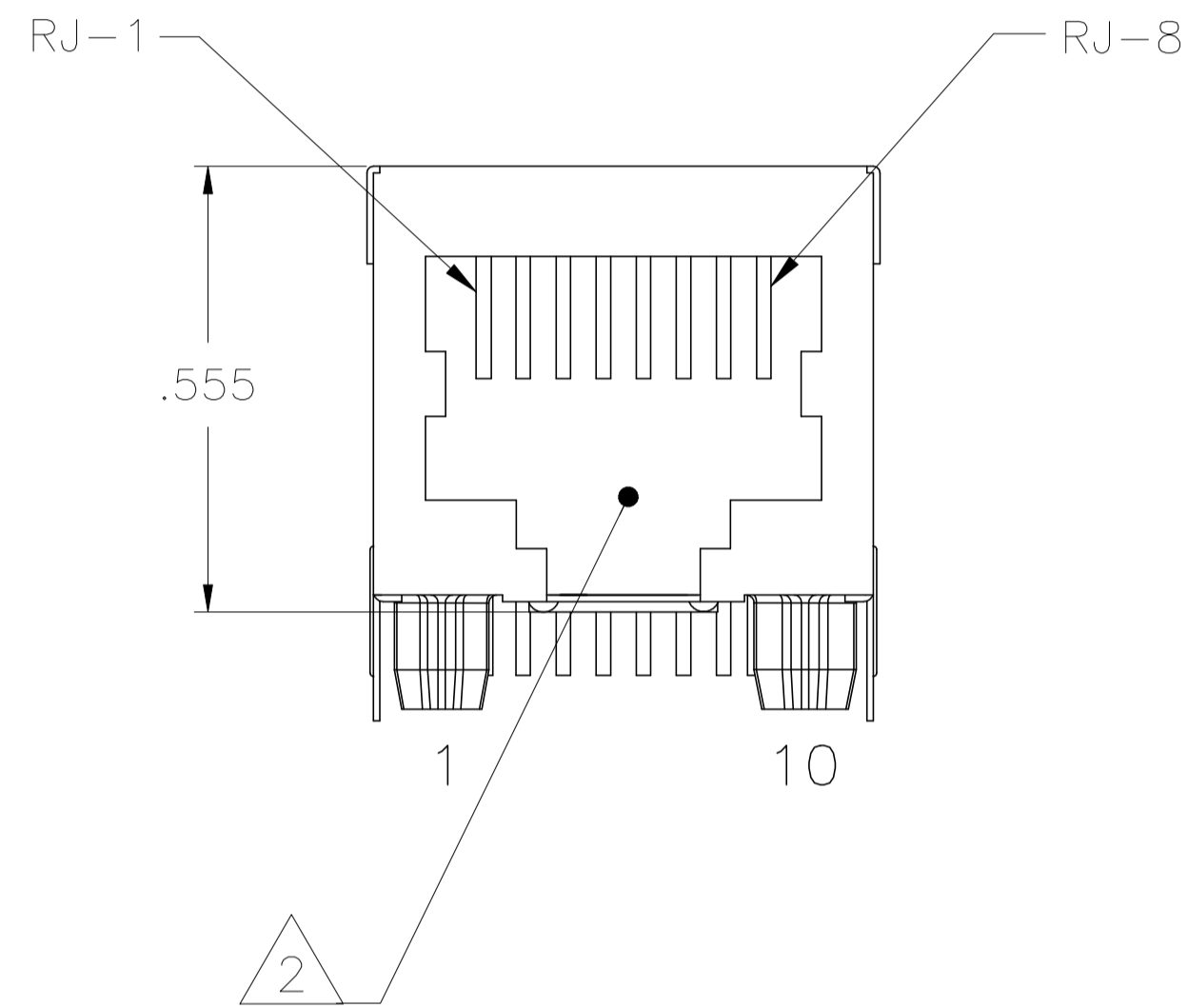
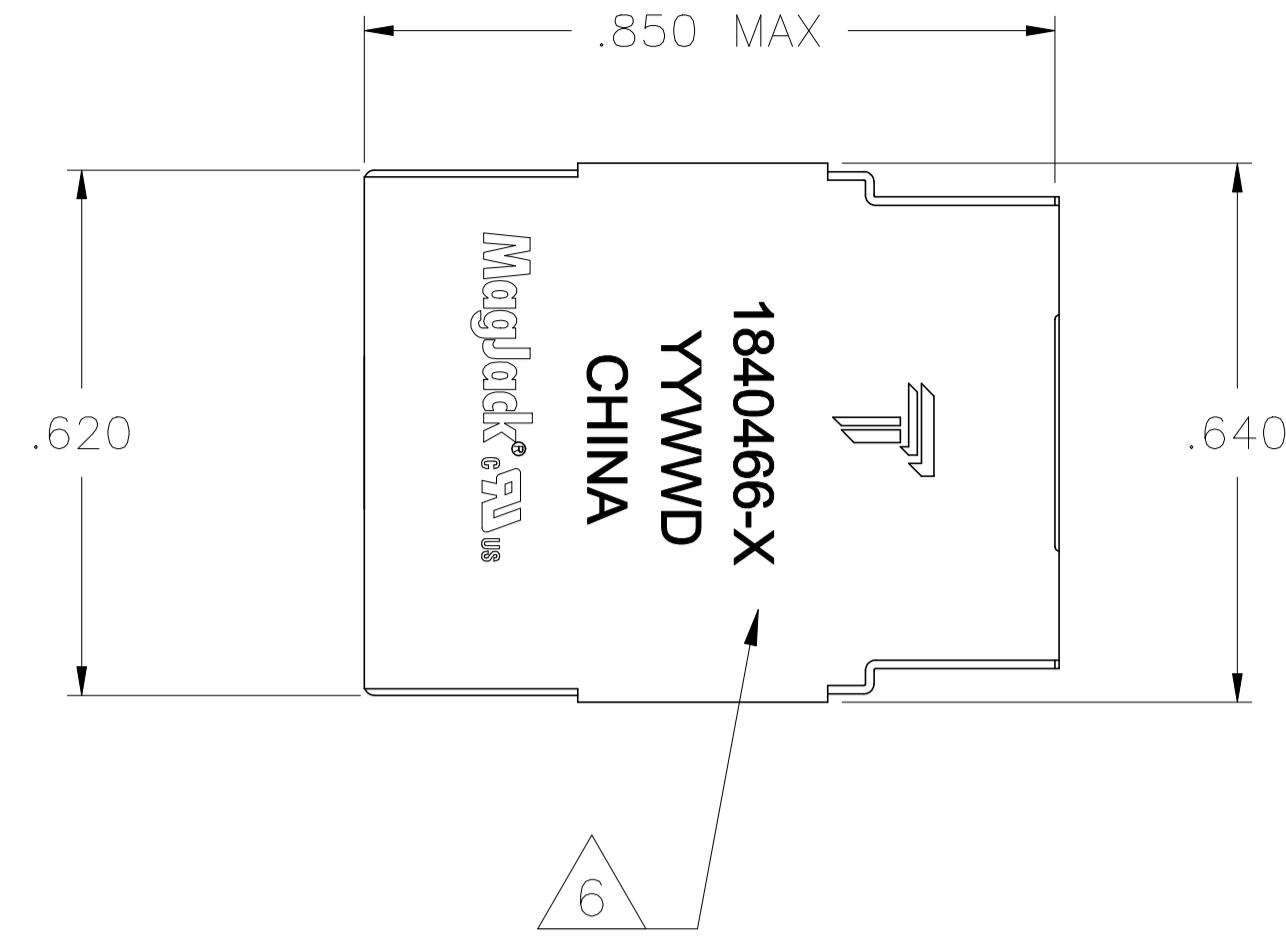


THIS DRAWING AND THE SUBJECT MATTER SHOWN THEREON ARE CONFIDENTIAL AND THE PROPERTY OF BEL/STEWART/TRP CONNECTOR AND SHALL NOT BE REPRODUCED, COPIED, OR USED IN ANY MANNER WITHOUT THE WRITTEN CONSENT OF TRP CONNECTOR.

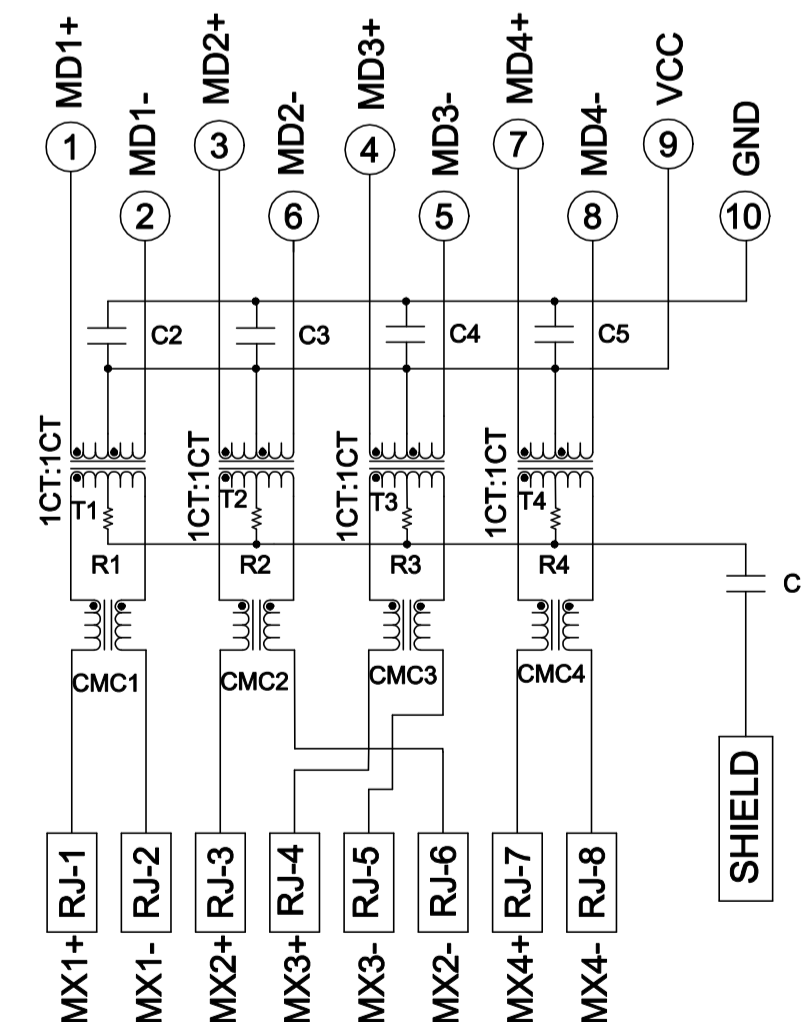
PRODUCT MAY BE PROTECTED BY ONE OR MORE OF THE FOLLOWING US PATENTS:  
 5736910 5939955 6425781 6428361 6554638 6840817 7123117  
 7429195 7717749 7808751 6217391 6149050 7924130

REVISIONS				
P	LYR	DESCRIPTION	DATE	APVD
C		EC-1411035 COMPANY LOGO CHANGE	13JAN2015	TL KZ

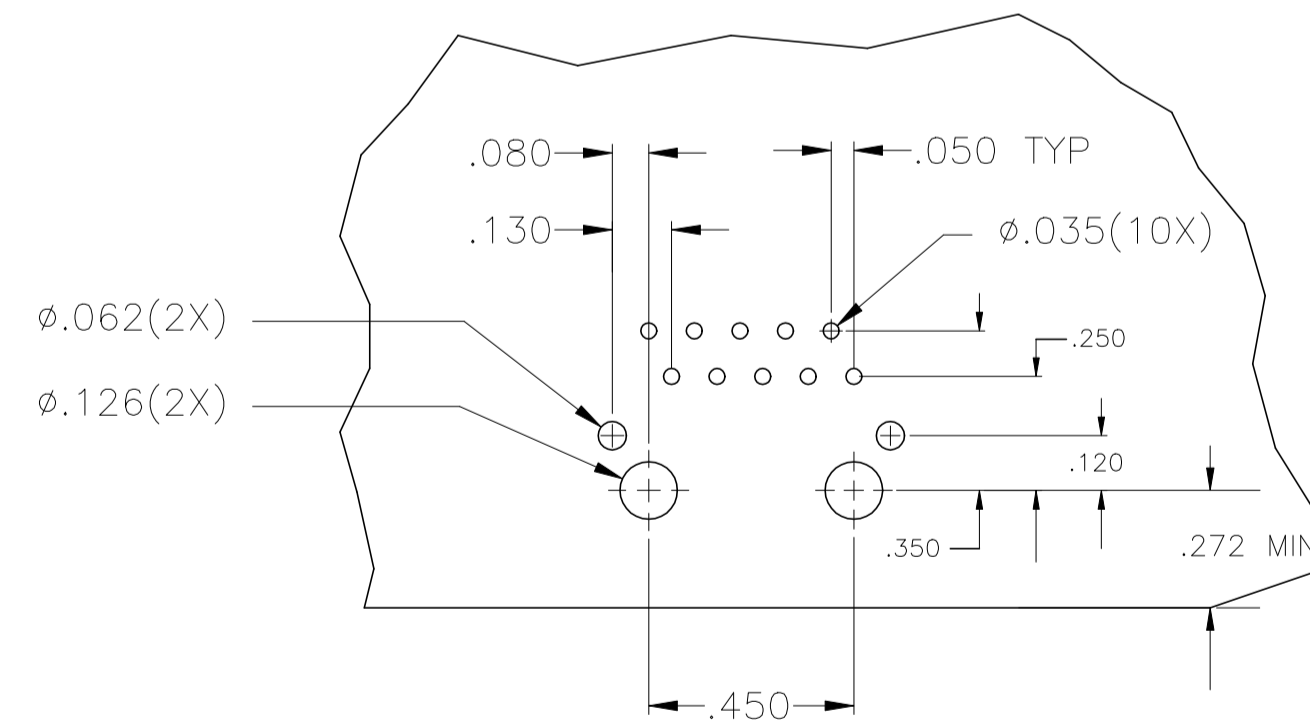
MECHANICAL:



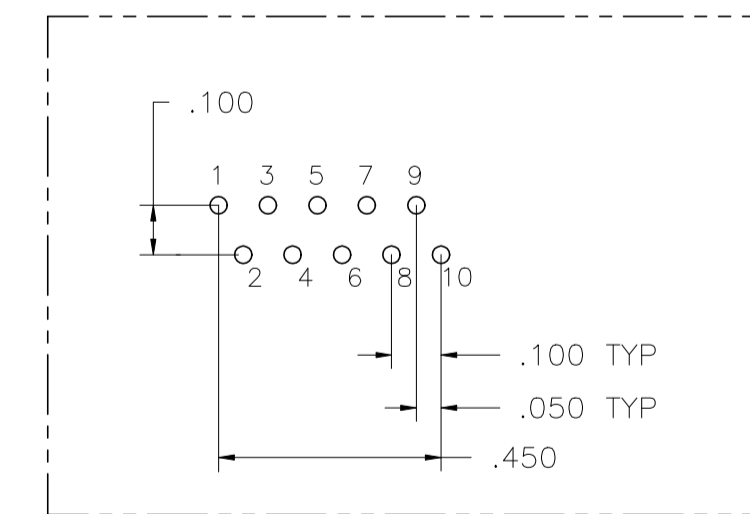
4G06P2 GIGABIT CIRCUIT



R1-R4 = 75 OHMS, 1/16W, 5% RESISTORS  
 C1 = 1000pF, 3kV CAPACITOR  
 C2 - C5 = 0.1uF, 10%, 50V, X7R CAPACITOR



SUGGESTED PCB LAYOUT  
 COMPONENT SIDE



PIN DESIGNATIONS

NOTES:

- ⚠ MATERIALS
  - HOUSING: THERMOPLASTIC, FLAMMABILITY RATING UL 94V-0.
  - SHIELD: BRASS C26800 0.008 INCH THICK, PREPLATED WITH 30μINCH MIN SEMI-BRIGHT NICKEL. SOLDER TABS POST DIPPED WITH 100μINCH MIN SAC SOLDER.
  - CONTACTS: PHOSPHOR BRONZE 0.0157 X 0.018", 50μINCH MIN OVERALL NICKEL UNDERPLATE, WITH SELECTIVE 50μINCH MIN HARD GOLD FINISH PLATE.
  - SOLDER TAILS: 100μINCH MIN MATTE TIN AND/OR SAC SOLDER DIP.
- ⚠ RJ45 JACK CAVITY CONFORMS TO FCC RULES AND REGULATIONS PART 68 SUB PART F.
- ⚠ MAGNETICS
  - APPLICATION: 10/100/1000 BASE-T
  - IMPEDANCE: 100 OHMS
  - TURNS RATIO (CHIP:CABLE): 1:1 ALL FOUR PAIRS
  - OPEN CIRCUIT INDUCTANCE (OCL): 350μH MIN. @100kHz, 0.1VRMS, 8mADC BIAS FROM 0°C TO +70°C, ALL FOUR PAIRS
  - ALL FOUR PAIRS BI-DIRECTIONAL
  - PERFORMANCE @ 25°C:
    - INSERTION LOSS (IL): 1.1dB MAX. FROM 0.5MHz TO 100MHz
    - RETURN LOSS (RL): 18dB MIN FROM 0.5MHz TO 40MHz
    - 12-20LOG(f/80)dB MIN. FROM 40.1MHz TO 100MHz
    - CROSSTALK ATTENUATION: 35dB MIN. FROM 0.5MHz TO 40MHz
    - 33-20LOG(f/50)dB MIN. FROM 40.1MHz TO 100MHz
    - COMMON MODE REJECTION RATIO (CMRR):30dB MIN. FROM 0.5MHz TO 100MHz
  - ISOLATION VOLTAGE: COMPLIES WITH IEEE802.3 2002, PARA 40.6.1.1, ITEM a.
- 4. OPERATING TEMPERATURE: FROM 0°C TO +70°C.
- ⚠ INDICATED MAGNETIC CONNECTIONS ARE SYMMETRICAL TO SUPPORT AUTO-MDI/MDIX.
- ⚠ TRP CONNECTOR LOGO, PART NUMBER, DATE CODE, COUNTRY OF ORIGIN AND AGENCY APPROVAL MARKING IN APPROXIMATE LOCATION SHOWN.
- 7. THE PART IS RECOMMENDED FOR WAVE SOLDERING PROCESS,PREHEAT TEMPERATURE IS 120°C TO 160°C, 120 SECONDS TO 180 SECONDS, PEAK WAVE SOLDERING TEMPERATURE IS 260°C MAX,10 SECONDS MAX.

1840466-1  
 PART NUMBER

THIS DRAWING IS A CONTROLLED DOCUMENT.		DWN VIKIN LEE 18SEP2008		DONGGUAN CHINA	
DIMENSIONS: INCHES		CHK QUENTIN LIU 18SEP2008			
0 PLC ± - 1 PLC ± - 2 PLC ± .010 3 PLC ± .005 4 PLC ± - ANGLES ± -		APVD TEDDY XIONG 18SEP2008 MODEL NAME MAGJACK SINGLE NON-POE		DESC 1X1 4G06P2 GIGABIT TAB DOWN W/O LED SIZE A1 CAGE CODE DRAWING NO C=1840466 RESTRICTED TO -	
PRODUCT SPEC 108-2100		APPLICATION SPEC -		CUSTOMER DRAWING	
		SCALE NTS		SHEET 1 OF 1 REV C	