

RECEPTACLE

H	OBSOLETE P/N's UCR2002-0270 COMERC1 01/9/18
G1	REVISED UCR 1998-0128 WANG 98-04-09
G	REL. -2P IRD, -2R IRD ECN #U4 0209 RW 2-14-94
F2	ADD -2P IRD, -2R IRD ECN #U4 0109 RW 1-25-94
F1	REL. -2R IBK, -2PB ECN #U3 0685 RW 4-6-93
F	DEL 94V-0 MAT'L ECR U2-1699 AFG 92-11-20 RW
E	REVISE PER ECR U2 0211 CVC 2/10/92 RW
D	REVISED PER ECR #U00189 7-5-90 TRM
C	REVISED LATCH ECR # U90011 KBW 03-31-89 RW
B	REV. PICTORIALY ECR U8 2272 GEP 12-15-88 RW
A	REV. & FINAL REL. ERO 27381 GEP 10-18-88 RW

3	H	
2	G1	
1	H	
MFG.	SH.	REV.
LTR.	REVISIONS	

DIMENSIONS SHOWN (METRIC) INCH
UNLESS OTHERWISE SPECIFIED
TOLERANCES: ANGULAR ± 10°

	INCH	METRIC
3 PLACE	± .007	---
2 PLACE	± .010	± 0.18
1 PLACE	---	± 0.25

DRAFT WHERE APPLICABLE MUST
REMAIN WITHIN DIMENSIONS

DRWG. BY: GEP CHK'D. BY: RW
APP'D. BY: RAS SCALE: 2 : 1

▽ = 0 ▽ = 0 REVISE ONLY ON CAD SYSTEM

TITLE: .125/(3.17) HOUSING,
PLUG & RECEPTACLE,
2 CKT., .330/(8.38) CTR.

MOLEX INCORPORATED SHEET NO. 1 OF 3 DATE 7/26/88
LISLE, ILL. 60532 U.S.A.

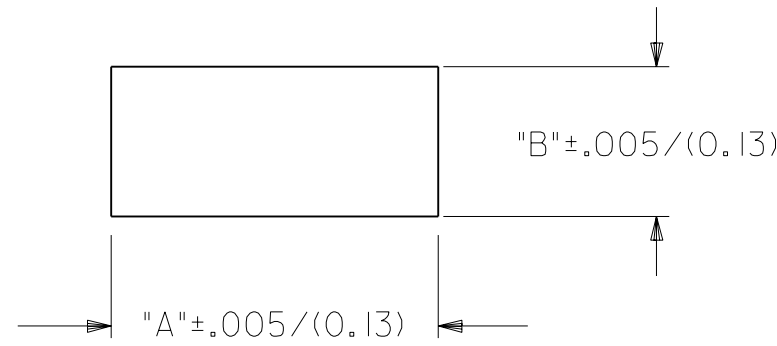
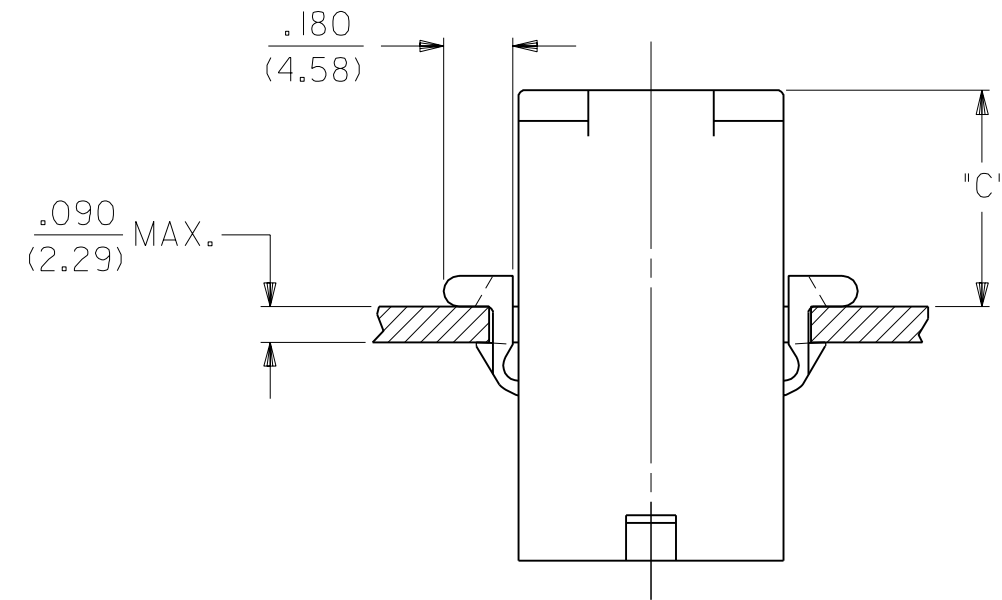
PART NO. DRWG. NO.
SEE CHART SD-42179-2*

FILE NAME: S421792X1.DGN DIV. CP SIZE C

THIS DRAWING CONTAINS INFORMATION THAT IS PROPRIETARY TO MOLEX INC. AND SHOULD NOT BE USED WITHOUT WRITTEN PERMISSION.

PLUG		
PART NO.	ENG. NO.	
03-12-2026	42179-2P1	
03-12-2025	42179-2P	
03-12-7021	42179-2PBK	OBSOLETE
03-12-7022	42179-2PIRD	OBSOLETE

RECEPTACLE		
PART NO.	ENG. NO.	
03-12-1026	42179-2R1	
03-12-6021	42179-2R1BK	OBSOLETE
03-12-6022	42179-2R1RD	OBSOLETE



RECOMMENDED HOLE CUTOUT

HOUSING	DIM. "A"	DIM. "B"	DIM. "C"
PLUG	.851/(21.62)	.440/(11.18)	.57/(14.5)

NOTES:

- PART ACCEPTS A MAXIMUM .250/(6.35) INSULATION DIA.
- FOR USE WITH MOLEX .125/(3.17) DIAMETER SERIES TERMINALS EXCEPT THE 1219/1220 SERIES.
- THIS PART IS THE SAME AS 42348-2 EXCEPT FOR POLARIZATION OF FIRST CIRCUIT.

LEGEND:

42179-2****-*

CIRCUIT SIZE: _____
 HOUSING TYPE: _____
 P = PLUG
 R = RECEPTACLE
 MOUNTING EAR OPTION: _____
 BLANK = WITH PREBENT EARS, PLUG ONLY
 I = WITHOUT EARS

COLOR: _____
 BLANK = 94V-2: TRANSLUCENT NATURAL COLOR
 AM=AMBER BK=BLACK BU=BLUE
 BN=BROWN GY=GRAY GN=GREEN
 OR=ORANGE RD=RED YW=YELLOW

MATERIAL: _____
 BLANK = NYLON 6/6, U.L. 94V-2

REV.	BY	DATE	DESCRIPTION
F2			SEE SHEET I
F1			SEE SHEET I
F			SEE SHEET I
D			SEE SHEET I
H	SEE SHEET I	B	SEE SHT. I
GI	SEE SHEET I	A	SEE SHT. I
G	SEE SHEET I	I	SEE SHT. I
LTR.	REVISIONS	LTR.	REVISIONS

DIMENSIONS SHOWN (METRIC) INCH	
UNLESS OTHERWISE SPECIFIED TOLERANCES: ANGULAR ± 0.10°	
INCH	METRIC
3 PLACE ± .007	---
2 PLACE ± .010	± 0.18
1 PLACE ---	± 0.25

DRAFT WHERE APPLICABLE MUST REMAIN WITHIN DIMENSIONS

▽ = 0 ▼ = 0 REVISE ONLY ON CAD SYSTEM

TITLE: .125/(3.17) HOUSING, PLUG AND RECEPTACLE, 2 CKT., .330/(8.38) CTR.

MOLEX INCORPORATED LITSLIE, ILL. 60532 U.S.A.

SHEET NO. 3 DATE 7/26/88

PART NO. SD-42179-2* DRWG. NO.

SEE CHART

FILE NAME: S421792X3 DGN

THIS DRAWING CONTAINS INFORMATION THAT IS PROPRIETARY TO MOLEX INC. AND SHOULD NOT BE USED WITHOUT WRITTEN PERMISSION.

DIV. CP SIZE C

42179