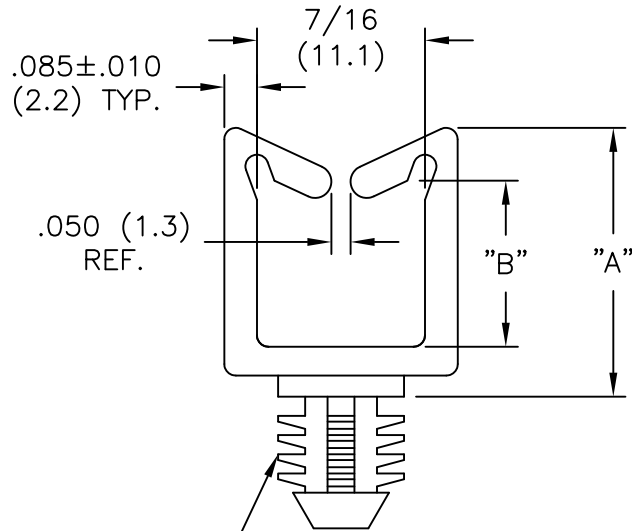
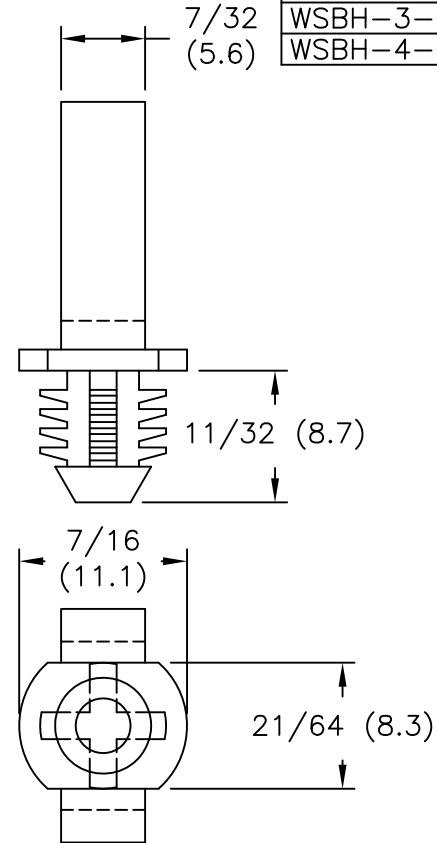


PART NO.	"A" REF.	"B" REF.
WSBH-1-01	.51 (13.0)	.23 (5.8)
WSBH-2-01	.72 (18.3)	.44 (11.2)
WSBH-3-01	1.07 (27.2)	.79 (20.1)
WSBH-4-01	1.40 (35.6)	1.11 (28.2)



TO PRESS-FIT IN A $.312 \pm .003$
(7.9 ± 0.08) DIA. HOLE
IN A $.25$ (6.4) MIN.
THICK PANEL



NOTES:

- MATERIAL: NYLON 66 (RMS-01)
FLAME RETARDANT, NYLON (RMS-19).
BY SPECIAL ORDER.
- COLOR: NATURAL.
COLOR: BLACK AVAILABLE BY SPECIAL ORDER.

TITLE: WIRE SADDLE, BLIND HOLE		DWG IN IN (mm)		FINAL	
TOLERANCES UNLESS NOTED .XX=±.010 .XXX=±.005 FRAC=±1/64 ANG=±1'	FILE # WSBH	DWN: P.B	DT: 09-14-94	PART #	
	MAT'L: SEE NOTES	CHKD:	ENG:	SEE TABLE	
	RE: RICHCO, INC.	RICHCO INC. ENG@RICHCO-INC.COM (773) 539-4060		PRINT TYPE CA	

REV	DESCRIPTION	ENGR	DATE
D	SEE CO 200244 FOR CHANGES	SK	09.18.08
C	SEE ECN #603 FOR CHANGES	SM	03.21.03
B	CHANGED FILE NUMBER	SM	05.30.01
A	MAT'L RMS-19 ADDED	J.L.	12.29.97