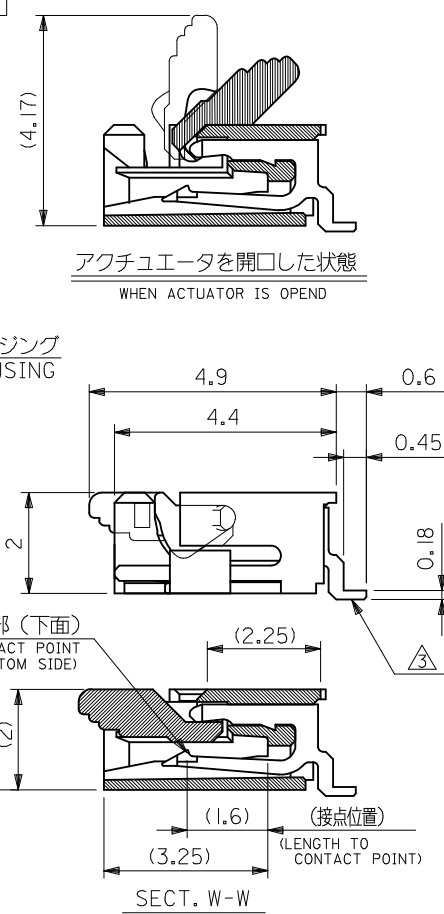
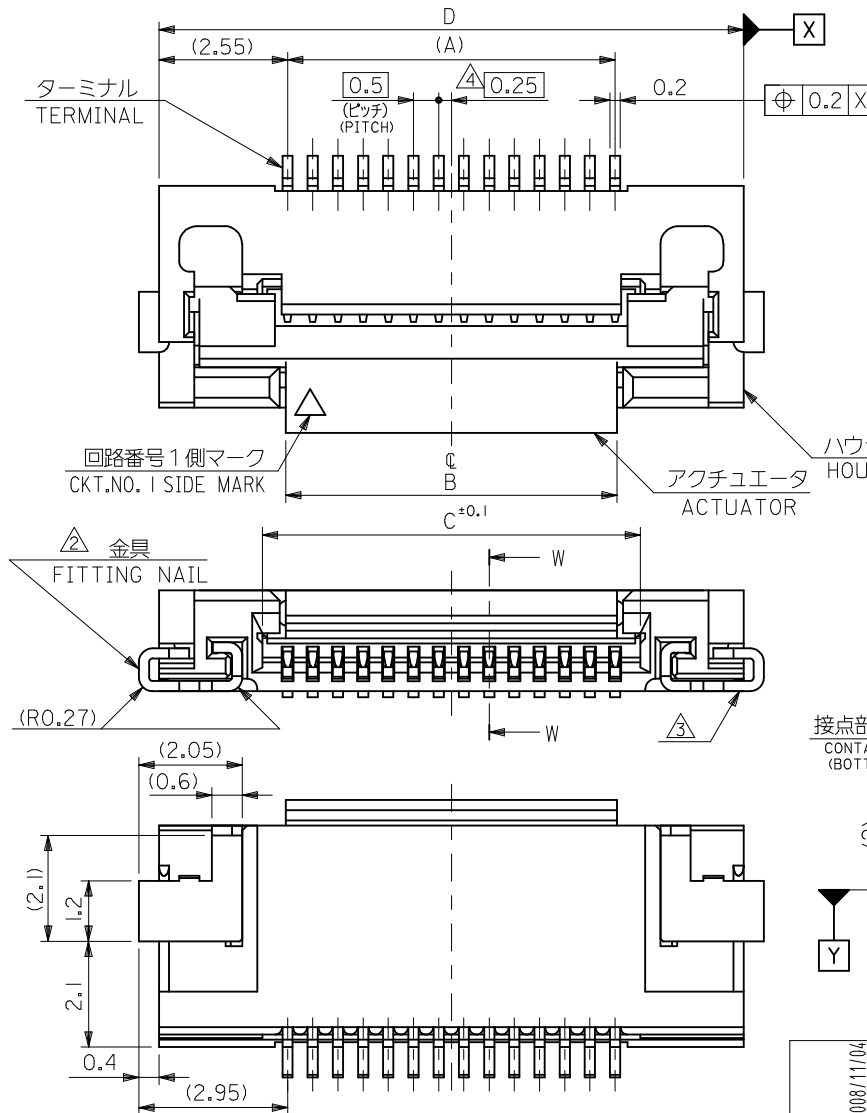


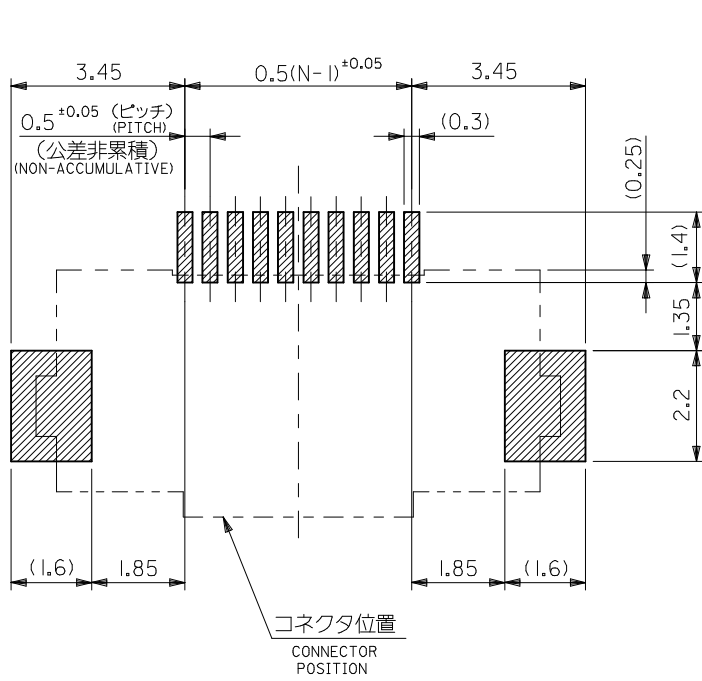
注記 NOTES

- I. 使用材料 MATERIAL
 ハウジング : 46ナイロン, UL 94V-0
 HOUSING : 46NYLON
 アクチュエータ : PPS, UL 94V-0
 ACTUATOR
 ターミナル : リン青銅 (t=0.2mm)
 TERMINAL PHOS-BRO
 メッキ : 接点部 : 金メッキ (0.1 MICROMETER MIN.)
 PLATING : CONTACT : GOLD-PLATING
 テール部 : 金メッキ (0.03 MICROMETER MIN.)
 TAIL : GOLD-PLATING
 ニッケル下地 (1.5 MICROMETER MIN.)
 OVER Ni PLATING
 金具 : リン青銅 (t=0.2mm)
 FITTING NAIL PHOS-BRO
 メッキ : 錫メッキ (1.0 MICROMETER MIN.)
 PLATING : TIN-PLATING
 ニッケル下地 (1.0 MICROMETER MIN.)
 OVER Ni PLATING
- △ パターンはくり止め用金具
 FITTING NAIL FOR PREVENTION OF PEELING OF P.C.B. PATTERN.
 △ ソルダータール半田付け面のズレ量、及び金具半田付け面のズレ量は、基準面 Y
 に対し上方向 0.5 MAX.、下方向 0.2 MAX. とする。
 MISALIGNMENT OF SOLDER TAILS AND FITTING NAILS FROM Y
 UPPER DIRECTION: 0.05 MAX., LOWER DIRECTION: 0.2 MAX.
 △ 偶数極に適用。
 APPLY FOR EVEN CIRCUIT.
 5. テール及びネイルの平坦度は、0.1 MAXIMUM.
 TAIL AND NAIL COPLANARITY TO BE 0.1 MAXIMUM.
 6. 本製品は、52892シリーズの金メッキ品である。
 THIS PRODUCT IS GOLD PLATING OF 52892 SERIES.
 7. ELV及びRoHS適合品。
 ELV AND RoHS COMPLIANT.

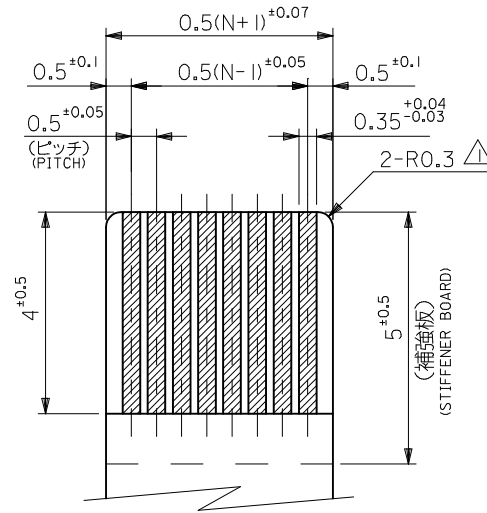


16.6	12.5	11.57	11.5	52892-2496	52892-2459	24
14.6	10.5	9.57	9.5	52892-2096	52892-2059	20
12.6	8.5	7.57	7.5	52892-1696	52892-1659	16
12.1	8.0	7.07	7.0	52892-1596	52892-1559	15
9.6	5.5	4.57	4.5	52892-1096	52892-1059	10
8.6	4.5	3.57	3.5	52892-0896	52892-0859	8
D	C	B	(A)	EMBOSSD TAPE	MATERIAL NO.	極数 CIRCUIT
				ORDER No. オダー番号	MODEL NO.	52892-***59

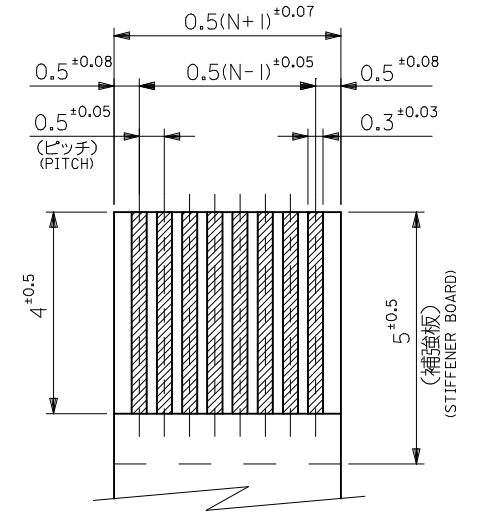
REVISED EC NO. J2009-1091 DRAWN: TAKASHI 03/2008/11/04 CHKD: THARUYAMA 2008/11/04 APPR: NUKITA 2008/11/05	GENERAL TOLERANCES (UNLESS SPECIFIED)		DIMENSION STYLE MM ONLY		SCALE ---		DESIGN UNITS METRIC		THIRD ANGLE PROJECTION	
	10 UNDER	±0.2	DRAWN BY M. UMEDA	DATE 2005/08/02	TITLE 0.5 FPC CONN ASSY ZIF SMT RA(BTM CONT) E/O					
	10 OVER 30 UNDER	±0.25	CHECKED BY K. TOYODA	DATE 2005/08/02	MOLEX INCORPORATED					
	30 OVER	±0.3	APPROVED BY N. UKITA	DATE 2005/08/02	MATERIAL NO. SEE TABLE		DOCUMENT NO. SD-52892-042		SHEET NO. 1 OF 2	
ANGULAR ±3 °		DRAFT WHERE APPLICABLE MUST REMAIN WITHIN DIMENSIONS		THIS DRAWING CONTAINS INFORMATION THAT IS PROPRIETARY TO MOLEX INCORPORATED AND SHOULD NOT BE USED WITHOUT WRITTEN PERMISSION						



参考基板レイアウト
RECOMMENDED P.C.BOARD
PATTERN DIMENSION (REF.)
(マウント面)
(MOUNTING SIDE)



適合FPC推奨寸法
APPLICABLE FPC
RECOMMENDED DIMENSION
(仕上がり厚さ: 0.3 ± 0.05)
(THICKNESS: 0.3 ± 0.05)



適合FFC推奨寸法
APPLICABLE FFC
RECOMMENDED DIMENSION
(仕上がり厚さ: 0.3 ± 0.05)
(THICKNESS: 0.3 ± 0.05)

2. FPCについて:
打抜き方向は導体側から補強板側を推奨致します。
補強フィルム材質はポリイミドを推奨致します。
接着剤は熱硬化接着剤を推奨致します。

ABOUT FPC:

RECOMMENDED PUNCHER DIRECTION : FROM CONDUCTOR SIDE TO STIFFENER BOARD SIDE.

RECOMMENDED MATERIAL:

STIFFENER FILM : POLYIMIDE
BONDING AGENT : THERMOSETTING BONDING AGENT

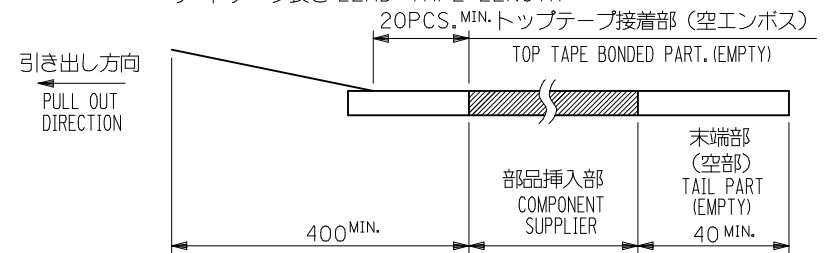
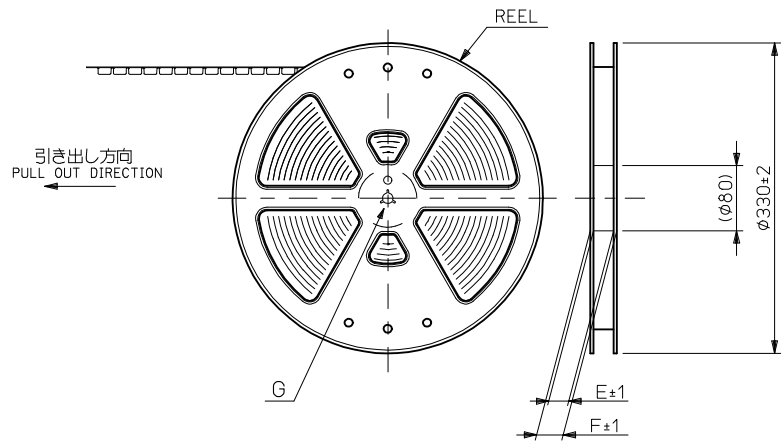
注記 NOTES

- △ R0.3は、FPCの導体部にかからないこと。
R0.3 MUST NOT BE OVERLAPPED TO PATTERN OF FPC.

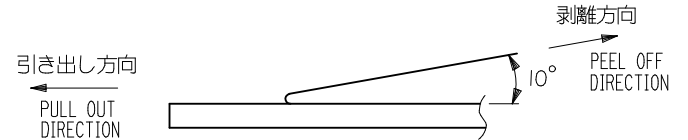
REVISED EC NO: J2009-1091 DRWN:MTAKASHI 03/2008/11/04 CHKD:THARUYAMA 2008/11/04 APPR:NUKITA 2008/11/05	GENERAL TOLERANCES (UNLESS SPECIFIED)		DIMENSION STYLE MM ONLY		SCALE ---	DESIGN UNITS METRIC	MODEL NO. 52892-**59
	10 UNDER	± 0.2	DRAWN BY M.UMEDA	DATE 2005/08/02	TITLE 0.5 FPC CONN ASSY ZIF SMT RA(BTM CONT) E/O		
	10 OVER 30 UNDER	± 0.25	CHECKED BY K.TOYODA	DATE 2005/08/02	MATERIAL NO. SEE SHEET 1		
	30 OVER	± 0.3	APPROVED BY N.UKITA	DATE 2005/08/02	DOCUMENT NO. SD-52892-042		
DESCRIPTION	ANGULAR ± 3 °	DRAFT WHERE APPLICABLE MUST REMAIN WITHIN DIMENSIONS		SHEET NO. 2 OF 2			
REV	THIS DRAWING CONTAINS INFORMATION THAT IS PROPRIETARY TO MOLEX INCORPORATED AND SHOULD NOT BE USED WITHOUT WRITTEN PERMISSION						EN-02JA(021)

注記 NOTES

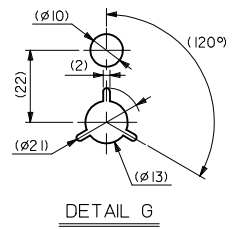
- 製品詳細寸法については図面 SD-52892-042 を参照下さい。
RE DETAILED DIMENSION, SEE SD-52892-042
- 梱包数量：1000個/リール
NUMBER OF CONNECTORS：1000PCS/REEL
- リードテープ長さ LEAD TAPE LENGTH



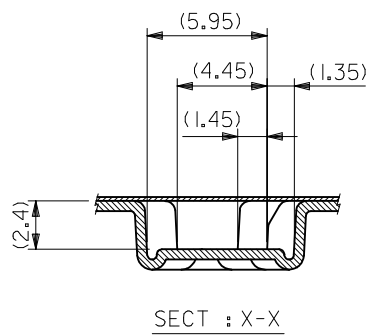
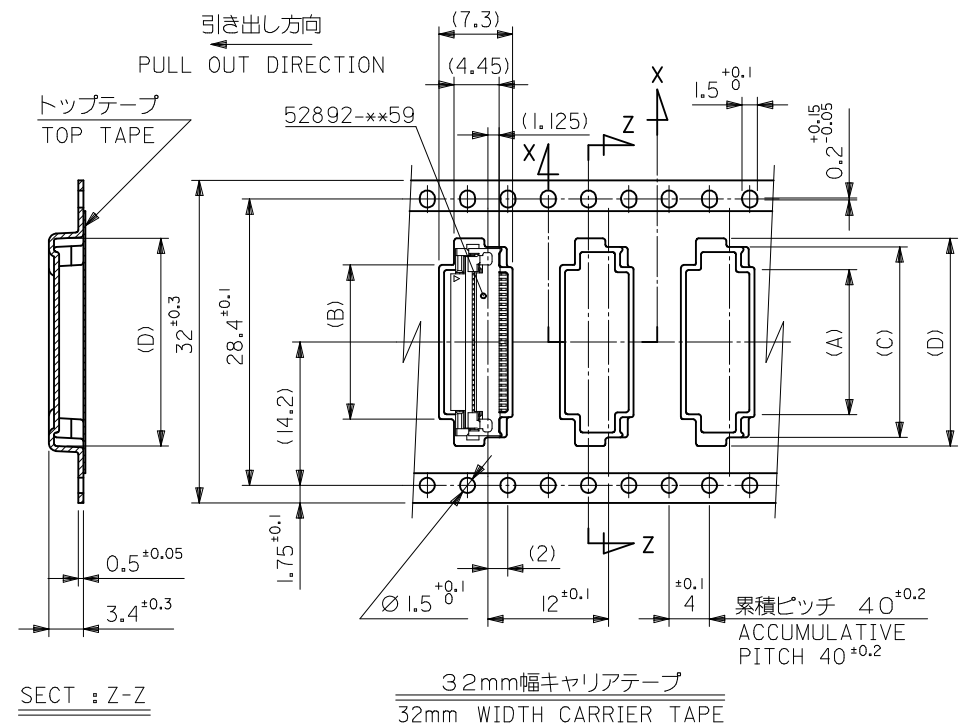
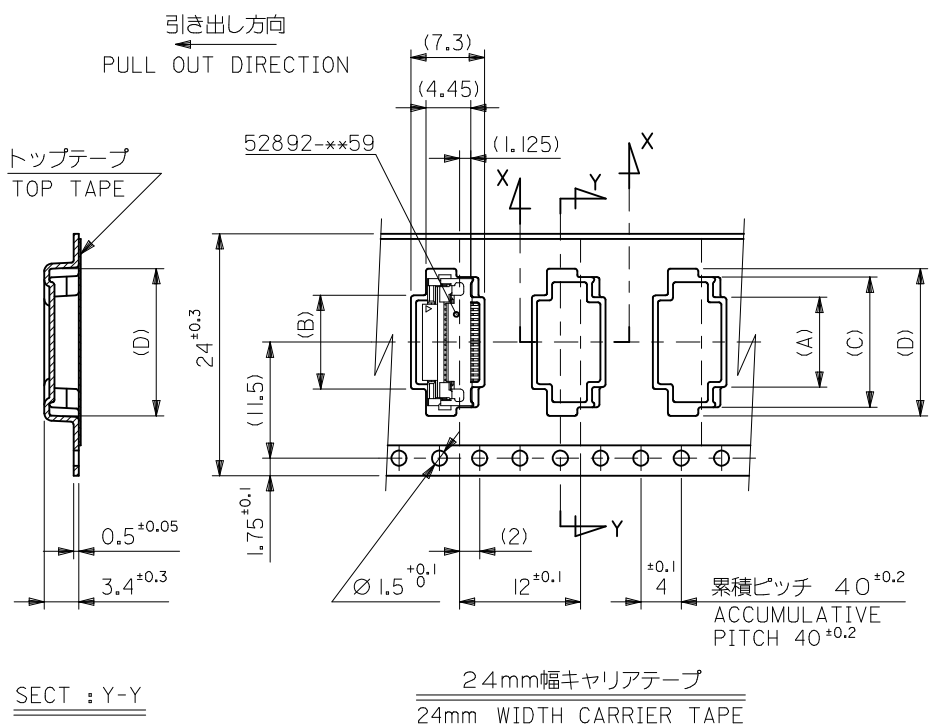
- トップテープの剥離強度：0.1N - 1.3N (10gf-130gf)
(剥離方向は下図参照)
尚、本規格値は出荷時に適用。(但し、輸送時に剥離が発生しないこと。)
PEELING OFF FORCE OF TOP TAPE：0.1N - 1.3N (10gf-130gf)
(PEELING DIRECTION AS SHOWN IN FOLLOWING FIG.)
THIS REQUIREMENT SHOULD BE APPLIED AT SHIPMENT.
PEEL OFF SHOULD NOT BE ALLOWED, DURING TRANSPORTATION.



- 材料 (MATERIAL)
キャリアテープ (CARRIER TAPE)：ポリプロピレン (POLYPROPYLENE)
トップテープ (TOP TAPE)：PET, PE, PEF
リール (REEL)：ポリスチレン (PS) <リサイクル材を含む>
POLYSTYRENE (PS) <RECYCLE MATERIAL CONTAINED>
- 本製品は、52892-**95 の金メッキ品である。
THIS PRODUCT IS GOLD PLATING OF 52892-**95.



REVISED EC NO: J2009-1764 DRWN: MABEI 2009/01/21 CHKD: THARUYAMA 2009/01/23 APPR: NUKITA 2009/01/23	GENERAL TOLERANCES (UNLESS SPECIFIED)		DIMENSION STYLE MM ONLY		SCALE ---	52892-**96	MODEL NO.	
	10 UNDER ± ---		DRAWN BY DATE M. UMEDA 2005/08/02		TITLE	DESIGN UNITS METRIC		
	10 OVER 30 UNDER ± ---		CHECKED BY DATE K. TOYODA 2005/08/02		EMBOSSED TAPE PACKAGE FOR 52892-**59			
	30 OVER ± ---		APPROVED BY DATE N. UKITA 2005/08/02		MOLEX INCORPORATED			
D REV	ANGULAR ± --- °		MATERIAL NO. SEE SHEET 2		DOCUMENT NO. SD-52892-043		SHEET NO. 1 OF 2	
	DRAFT WHERE APPLICABLE MUST REMAIN WITHIN DIMENSIONS		THIS DRAWING CONTAINS INFORMATION THAT IS PROPRIETARY TO MOLEX INCORPORATED AND SHOULD NOT BE USED WITHOUT WRITTEN PERMISSION					



32	37.4	33.4	18.6	16.9	13.1	12.9	52892-2459	52892-2496	24
24	29.4	25.4	16.6	14.9	11.1	10.9	52892-2059	52892-2096	20
			14.6	12.9	9.1	8.9	52892-1659	52892-1696	16
			14.1	12.4	8.6	8.4	52892-1559	52892-1596	15
			11.6	9.9	6.1	5.9	52892-1059	52892-1096	10
			10.6	8.9	5.1	4.9	52892-0859	52892-0896	8
キャリアテープ幅 CARRIER TAPE WIDTH	F	E	(D)	(C)	(B)	(A)	CONNECTOR	MATERIAL NO.	CIRCUIT
								MODEL NO. 52892-**-96	

REVISED EC NO: J2009-1764 DRWN: MABEI 2009/01/21 CHKD: THARUYAMA 2009/01/23 APPR: NUKITA 2009/01/23	GENERAL TOLERANCES (UNLESS SPECIFIED)		DIMENSION STYLE MM ONLY		SCALE ---	DESIGN UNITS METRIC	THIRD ANGLE PROJECTION	
	10 UNDER	± ---	DRAWN BY M. UMEDA	DATE 2005/08/02	TITLE EMBOSSED TAPE PACKAGE FOR 52892-**-59			
	10 OVER 30 UNDER	± ---	CHECKED BY K. TOYODA	DATE 2005/08/02	MATERIAL NO. SD-52892-043			
	30 OVER	± ---	APPROVED BY N. UKITA	DATE 2005/08/02	SHEET NO. 2 OF 2			
	ANGULAR ± --- °	SEE TABLE						
	DRAFT WHERE APPLICABLE MUST REMAIN WITHIN DIMENSIONS	THIS DRAWING CONTAINS INFORMATION THAT IS PROPRIETARY TO MOLEX INCORPORATED AND SHOULD NOT BE USED WITHOUT WRITTEN PERMISSION						