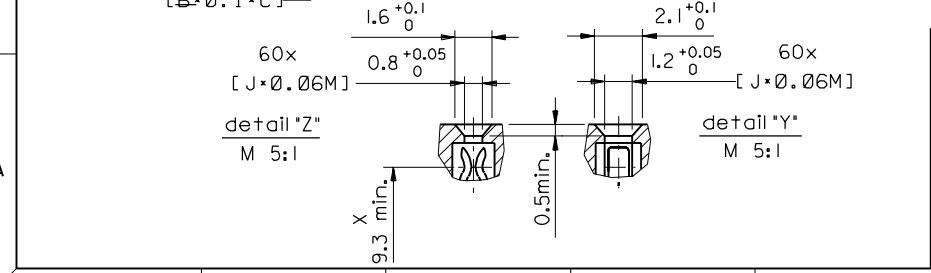
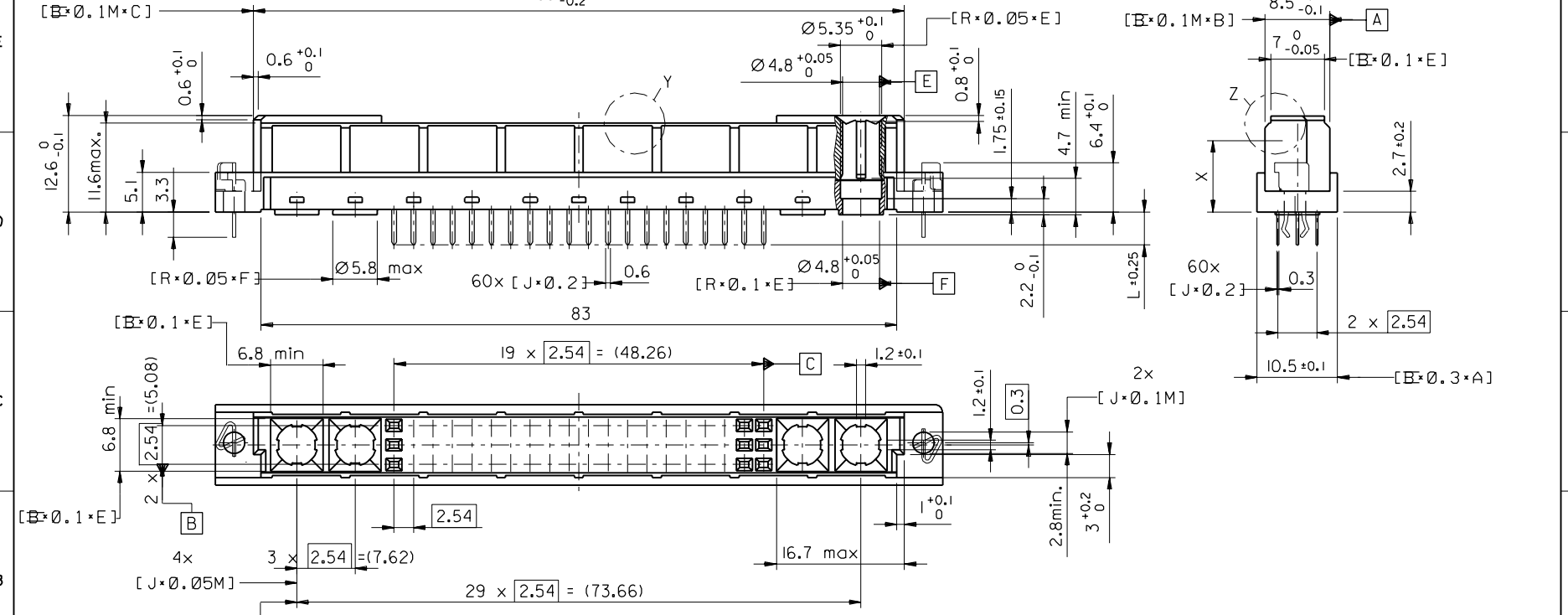


PART NO.
DWG. NO.



FIRST ANGLE PROJECTION		REVISE ONLY ON CAD SYSTEM		SH.	REV.
UNLESS OTHERWISE SPECIFIED TOLERANCES: ANGULAR ±2°		CAD/CAM PROJECT NAME		85048000 s21	
INCH		THIS DRAWING CONTAINS INFORMATION THAT IS PROPRIETARY TO MOLEX INC. & SHOULD NOT BE USED WITHOUT WRITTEN PERMISSION			
METRIC		TITLE		60 pos. Federleiste 60 pos. female connector DIN 41612, style M	
3 PLACE ±		DRWG BY		SIGN	
2 PLACE ±		KN			
1 PLACE ±		CHK'D BY		SIGN	
		Ca			
DRAFT WHERE APPLICABLE MUST REMAIN WITHIN DIMENSIONS		APP'D BY		SIGN	
DESIGN DIMENSION <input checked="" type="checkbox"/> MM		JB			
EQUIVALENT DIMENSION <input type="checkbox"/> IN.		SCALE		2:1	
IF TWO DIMENSIONS ARE SHOWN THE UPPER IS THE DESIGN DIMENSION, LOWER IS SECONDARY		MOLEX EUROPE		SHEET NO. DATE	
		PART NO.		1 OF 1 97/04/11	
		DWG. NO.		SD-85048-0002	
		SIZE		B	

