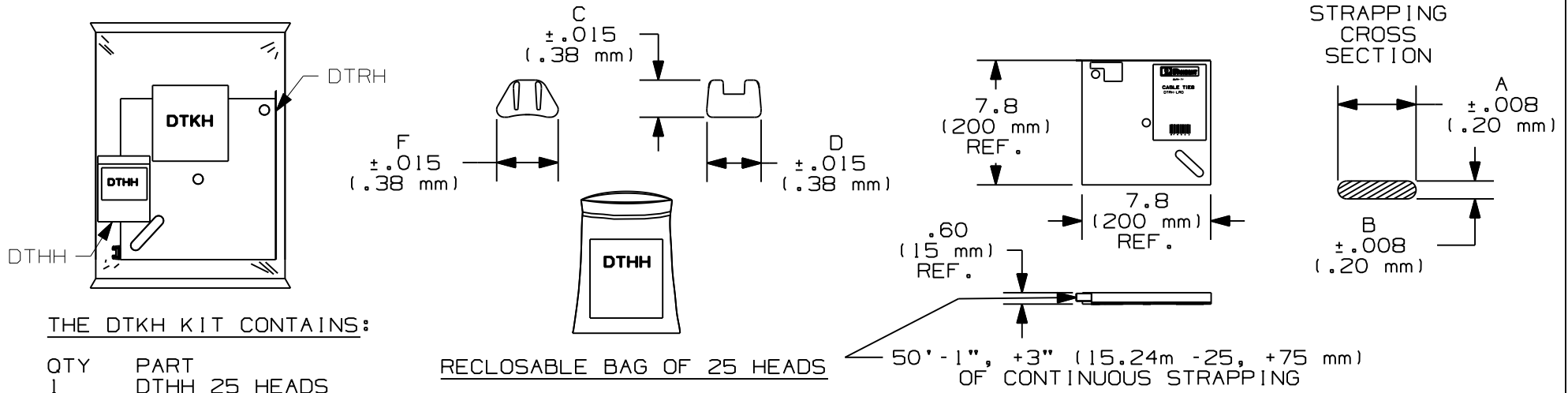


THIS COPY IS PROVIDED ON A RESTRICTED BASIS AND IS NOT TO BE USED IN ANY WAY DETRIMENTAL TO THE INTERESTS OF PANDUIT CORP.



THE DTKH KIT CONTAINS:

QTY	PART
1	DTHH 25 HEADS
1	DTRH 50' REEL OF STRAPPING

RECLOSABLE BAG OF 25 HEADS

DTHH

DTRH

PANDUIT* PART NO.	DESCRIPTION	BUNDLE DIA.		A in. (mm)	B in. (mm)	C in. (mm)	D in. (mm)	F in. (mm)	MINIMUM LOOP TENSILE 2"/MIN. lbs. (N)	APPROX. WEIGHT lbs/(kg) per PACKAGE
		MIN. in. (mm)	MAX. in. (mm)							
DTKH	DURA-TY KIT 50' STRAPPING 25 HEADS	.020 (.51)	15'-9" (4.8)	.331 (8.40)	.064 (1.63)	.393 (9.98)	.557 (14.15)	.824 (20.93)	200 (890)	0.85 (.386)
DTHH	BAG OF 25 HEADS	----- -----	----- -----	----- -----	----- -----	.393 (9.98)	.557 (14.15)	.824 (20.93)	----- -----	.15 (.068)
DTRH	50' REEL OF STRAPPING	.020 (.51)	15'-9" (4.8)	.331 (8.40)	.064 (1.63)	----- -----	----- -----	----- -----	200 (890)	0.70 (.318)

\* SEE CURRENT PRICE SHEET FOR PART NUMBER SUFFIX DESIGNATION FOR PACKAGE SIZE

DIMENSIONS IN PARENTHESES ARE IN METRIC UNITS

PANDUIT CORP. TINLEY PARK, ILLINOIS

DURA-TY  
EXTRUDED CABLE TIES (HEAVY)

UNLESS OTHERWISE SPECIFIED,  
DIMENSIONAL TOLERANCES ARE:  
(.X) ± (.XXX) ±  
(.XX) ± ANGLES ±

UNLESS OTHERWISE SPECIFIED,  
ALL DIMENSIONS ARE GIVEN  
IN INCHES, THIRD ANGLE PROJECTION.

DRAWN BY  
ERW

MAT'L:  
STRAP & HEAD -  
BLACK ACETAL  
EACH HEAD HAS TWO,  
TYPE 302 STAINLESS  
STEEL BARBS

SCALE  
N/A

DATE  
5/8/07

CHK'D  
TGS

DRAWING NO.  
SS-27557

DWG  
A  
SIZE

1	8/16/07	JABO		ADDED DTKH, DURA-TY KIT	SS-27557	1				
REV	DATE	BY	CHK	DESCRIPTION	ECN	R	CUST	SUP		