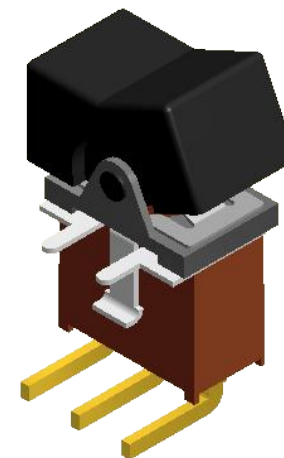
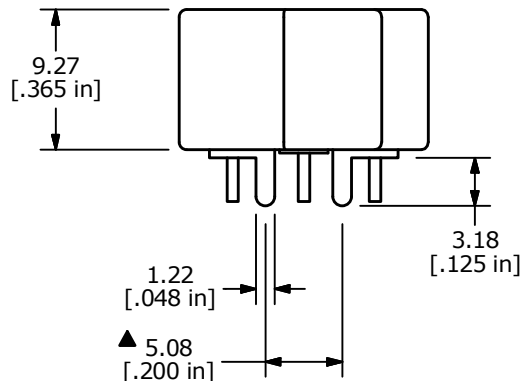
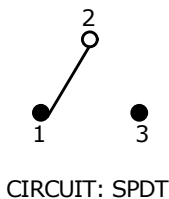


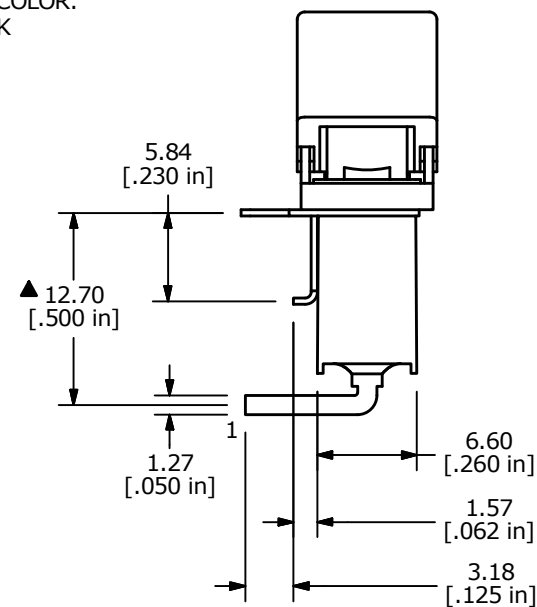
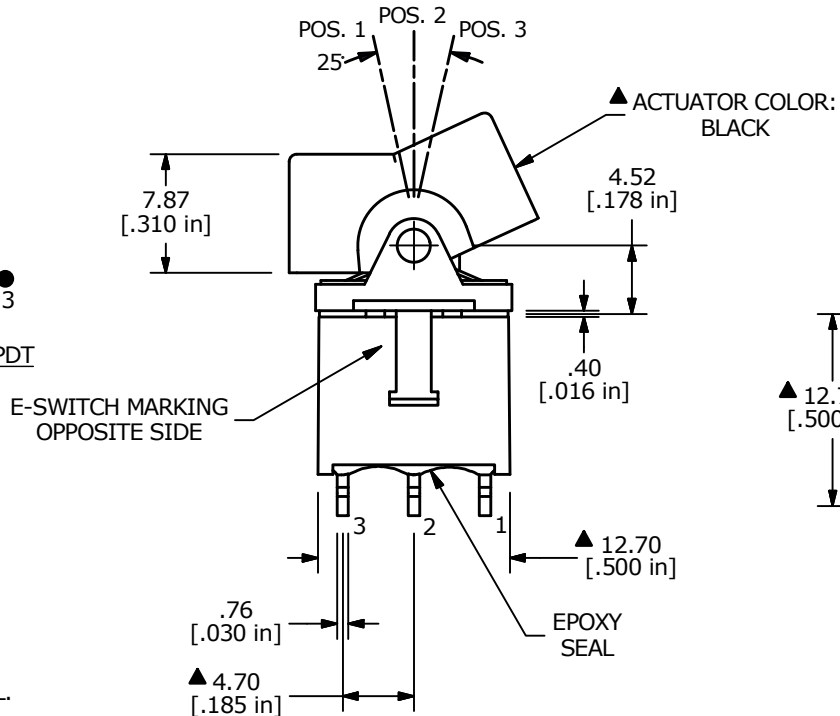
RECOMMENDED P.C. MOUNTING



SWITCH FUNCTION		
POS. 1	POS. 2	POS. 3
ON	OFF	ON
2-3	OPEN	2-1



- NOTE:
- ALL DIMENSIONS IN MM [INCH]
  - GENERAL TOLERANCE: X.X=±0.4  
X.XX=±0.25
  - TERMINAL NUMBERS FOR REF ONLY
  - PLATING MATERIAL: SILVER
  - RATING: 5A @120VAC or 28VDC  
2A @250VAC
  - ELECTRIC LIFE: 30,000 MAKE-AND-BREAK CYCLES AT FULL LOAD.
  - INSULATION RESISTANCE: 1,000 MEGA-OHM MIN.
  - DIELECTRIC STRENGTH: 1,000 V RMS @SEA LEVEL.
  - OPERATING TEMP.: -30°C to 85°C
  - ▲ DENOTES CRITICAL PARAMETER.
  - 2011/65/EU (ROHS) COMPLIANT



C	22705	UPDATED LAYOUT AND TERMINALS	2/13/17	MJR
B	22100	REDRAWN IN NEW FORMAT	12/21/15	MW
REV	PCR NO	DESCRIPTION	DATE	BY

THE INFORMATION CONTAINED IN THIS DOCUMENT IS PROPRIETARY TO E-SWITCH AND IS NOT TO BE COPIED OR TRANSFERRED

TITLE 300AWSP3J1BLKM6QE

SCALE 2:1	DATE 6/27/2003	DR AR	DWG T301018	REV C
-----------	----------------	-------	-------------	-------