

JK0-0036NL

4

3

2

1

NOTICE: THE INFORMATION AND DESIGN CONTAINED HEREIN IS THE PROPERTY OF PULSE WHO RESERVES ALL RIGHTS THERETO.

1.

WARNING:



THIS COMPONENT IS RECOGNIZED BY ONE OR MORE SAFETY AGENCIES SUCH AS UL, VDE, CSA AND/OR TUV. ALL ENGINEERING CHANGES MUST HAVE PRIOR APPROVAL BY THE DESIGN CENTER QUALITY DEPARTMENT FOR SAFETY AGENCY COMPLIANCE.

ECN APPROVAL:

QA APPROVAL:

DATE:

2.

NOTICE:



THIS IS A RoHS COMPLIANT COMPONENT/PRODUCT. ALL ENGINEERING CHANGES MUST HAVE PRIOR APPROVAL BY THE DESIGN CENTER.



TITLE

DATASHEET

SIZE	CAGE CODE	DWG. NO.	REV.
B	01961	JK0-0036NL	11
SCALE	CADD FILE	SHEET	
NONE	M-JK0-0036NL-1	1 OF 5	

120C72004

4

3

2

1

D

D

C

C

B

B

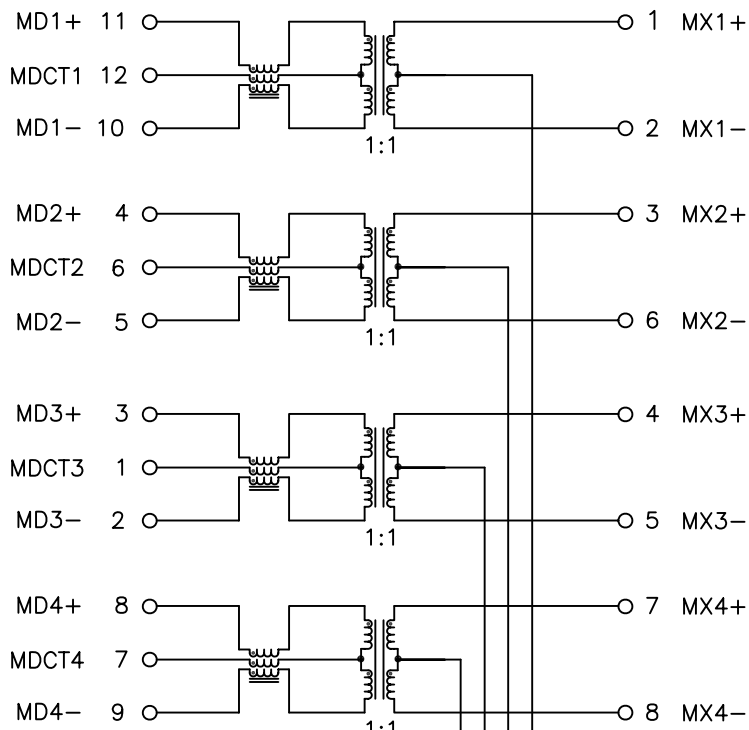
A

A

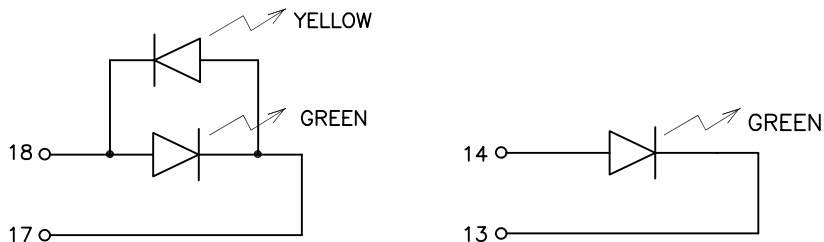
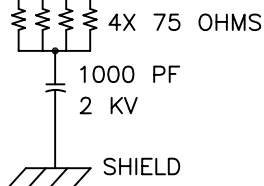
JKO-0036NL

NOTICE: THE INFORMATION AND DESIGN CONTAINED HEREIN IS THE PROPERTY OF PULSE WHO RESERVES ALL RIGHTS THERETO.

PCB SIDE



CABLE SIDE



SCHEMATIC

ELECTRICAL CHARACTERISTICS AT +25°C UNLESS OTHER SPECIFIED (FOR REFERENCE ONLY. USED FOR CUSTOMER INFORMATION.)

PARAMETER	SPECIFICATIONS	
	100 KHz	1-125 MHz
INSERTION LOSS	-1.2 dB MAX	-0.2-0.002*f ^{1.4} dB MAX
RETURN LOSS (Z OUT = 100 OHM ±15%)	.1-40 MHz	40-100 MHz
	-16 dB MIN	-10+20*LOG ₁₀ (f/80 MHz) dB MIN
INDUCTANCE (OCL) (MEDIA SIDE, 0°C-70°C)	350 uH MIN (MEASURED AT 100 KHz, 100 mVRMS AND WITH 8 mA DC BIAS)	
CROSSTALK, ADJACENT CHANNELS	1 MHz	10-100 MHz
	-50 dB MIN	-55+22*LOG ₁₀ (f/10) dB MIN
COMMON MODE REJECTION RATIO	2 MHz	30-200 MHz
	-50 dB MIN	-15+20*LOG ₁₀ (f/200) dB MIN
INPUT - OUTPUT ISOLATION	2250 VDC MINIMUM FOR 60 SECONDS	

NOTE: f IS FREQUENCY IN MHz.

EMMITTED COLOR	GREEN	YELLOW
WAVELENGTH (nm)	568 nm	585 nm
BRIGHTNESS (mCD)	8.5 TYP. @ 20 mA	6.0 TYP. @ 20 mA
VIEWING ANGLE	85° - 100°	85° - 100°
POWER DISSIPATION (Pd)	100 mA MAX	100 mA MAX
DC FORWARD CURRENT	150 mA MAX	150 mA MAX
REVERSE VOLTAGE (Vr)	2.2 TO 2.6 VOLTS	2.1 TO 2.6 VOLTS

NOTE: PER VENDOR'S SPECIFICATIONS

UNLESS OTHERWISE SPECIFIED, ALL DIMENSIONS ARE IN INCHES TOLERANCES ARE:
 DECIMALS .XX ±.01 ANGLES ± 1°
 .XXX ±.005
 DO NOT SCALE DRAWING

SIZE	CAGE CODE	DWG. NO.	REV.
B01961		JKO-0036NL	11
SCALE	CADD FILE	M-JKO-0036NL-2	SHEET 2 OF 5
NONE			

JKO-0036NL

4

3

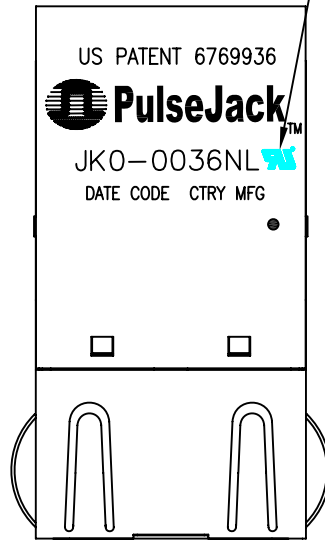
2

1

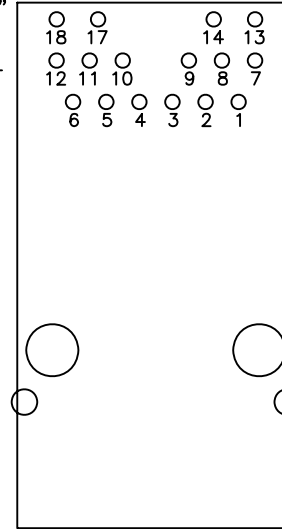
NOTICE: THE INFORMATION AND DESIGN CONTAINED HEREIN IS THE PROPERTY OF PULSE WHO RESERVES ALL RIGHTS THERETO.

FINAL OUTLINE NOTE:

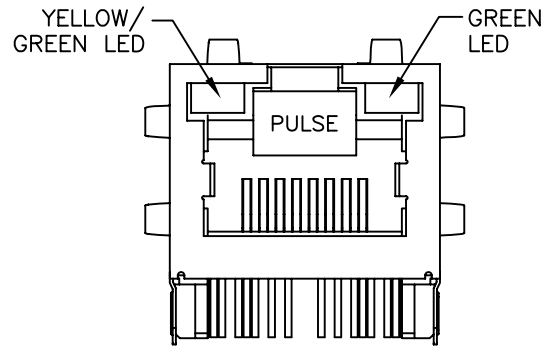
- 1. CHECK DIMENSIONS PER PACKAGE SPECIFICATION ITEM 17.



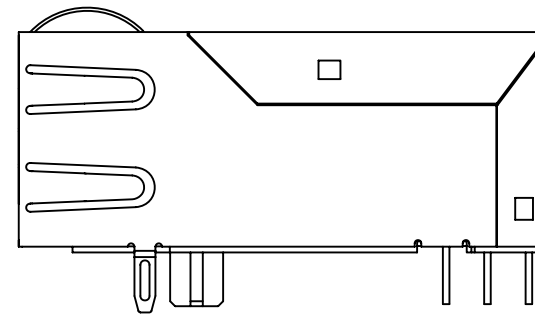
MARK PART WITH "UL MARK" PER PROCEDURE ITEM 19. MARK POSITION IS OPTIONAL PREFERRED LOCATION IS TOP OF THE PART.



FRONT OF CONNECTOR
PCB PINOUT
COMPONENT SIDE SHOWN



FINAL OUTLINE



UNLESS OTHERWISE SPECIFIED, ALL DIMENSIONS ARE IN INCHES TOLERANCES ARE:

DECIMALS .XX ±.01 .XXX ±.005
ANGLES ± 1'
DO NOT SCALE DRAWING

SIZE	CAGE CODE	DWG. NO.	REV.
B01961		JKO-0036NL	11
SCALE	CADD FILE	M-JKO-0036NL-3	SHEET 3 OF 5
NONE			

4

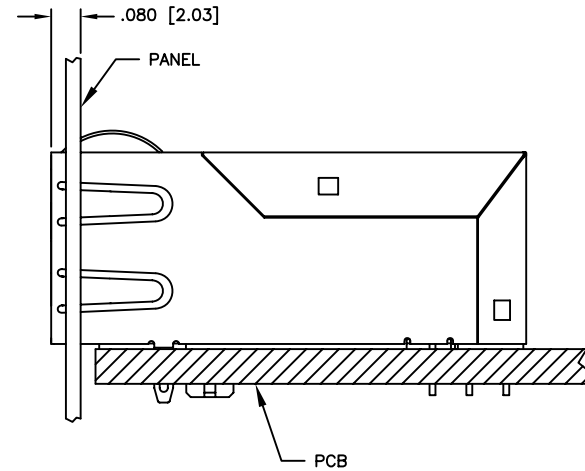
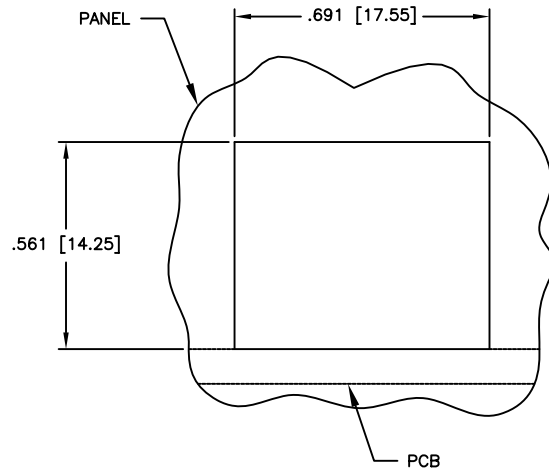
3

2

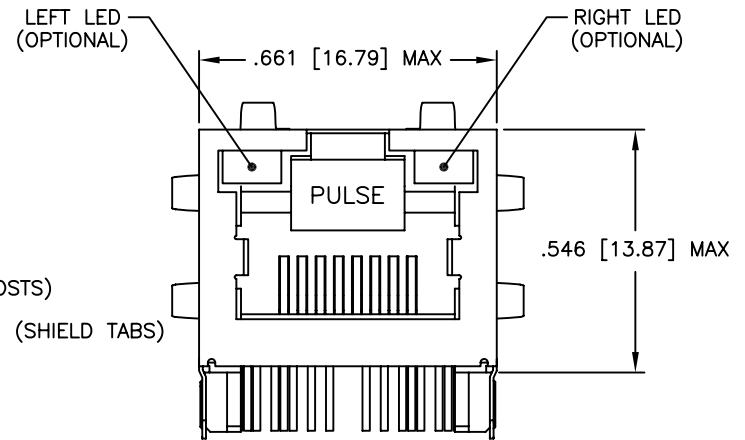
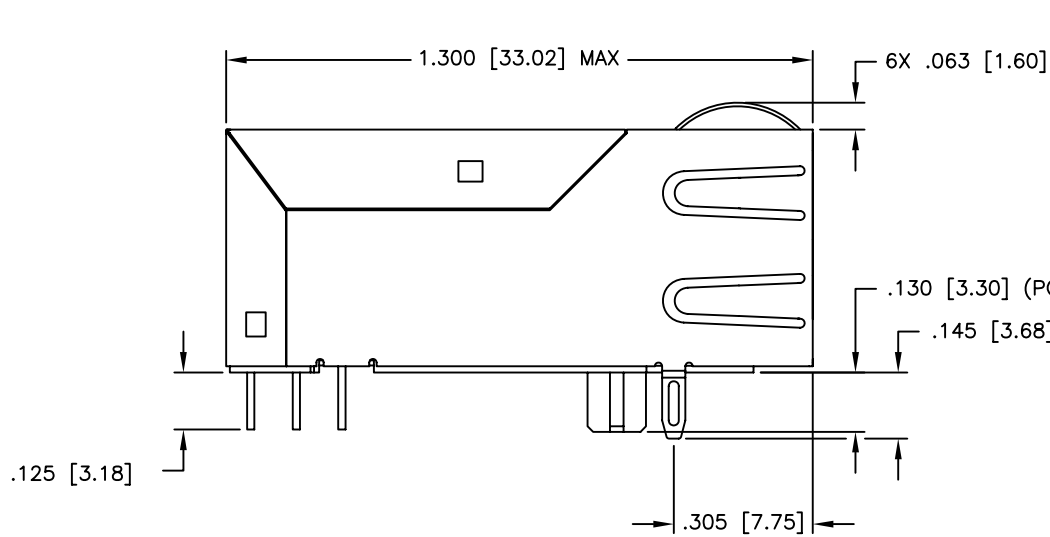
1

JKO-0036NL

NOTICE: THE INFORMATION AND DESIGN CONTAINED HEREIN IS THE PROPERTY OF PULSE WHO RESERVES ALL RIGHTS THERETO.



SUGGESTED PANEL CUTOUT



UNLESS OTHERWISE SPECIFIED, ALL DIMENSIONS ARE IN INCHES
 TOLERANCES ARE:
 DECIMALS ±.01
 .XXX ±.005
 DO NOT SCALE DRAWING

ANGLES
 ± 1°
 3.

SIZE	CAGE CODE	DWG. NO.	REV
B01961		JKO-0036NL	11
SCALE	CADD FILE	M-JKO-0036NL-4	SHEET 4 OF 5
4/1			

JKO-0036NL

NOTICE: THE INFORMATION AND DESIGN CONTAINED HEREIN IS THE PROPERTY OF PULSE WHO RESERVES ALL RIGHTS THERETO.

D

C

B

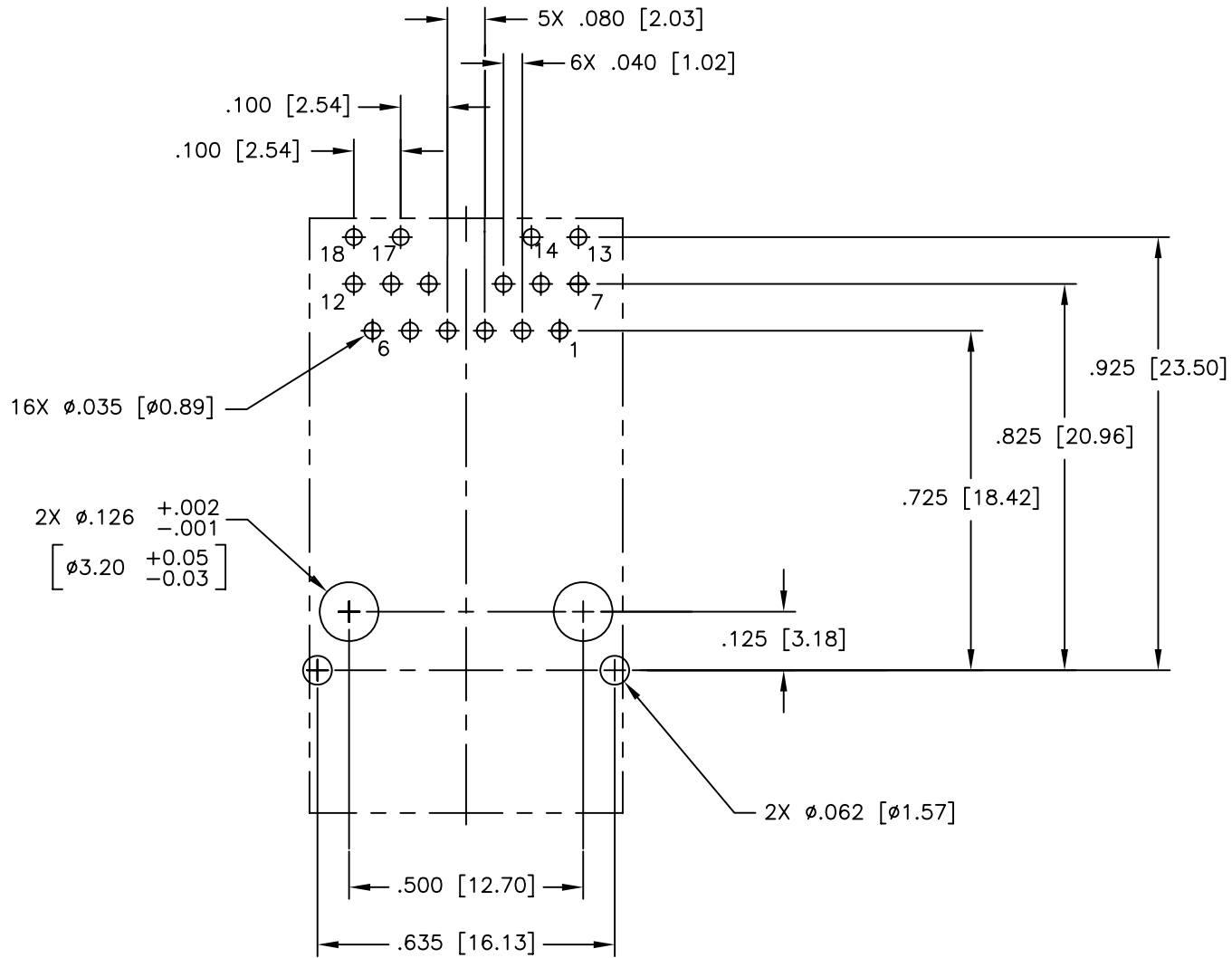
A

D

C

B

A



FRONT OF CONNECTOR

SUGGESTED PCB LAYOUT
(COMPONENT SIDE SHOWN)

DIMENSIONAL TOLERANCE:
.XXX ± 0.003 [X.XX ± 0.08]

UNLESS OTHERWISE SPECIFIED, ALL DIMENSIONS ARE IN INCHES
TOLERANCES ARE:

DECIMALS	ANGLES
-XX $\pm .01$	$\pm 1^\circ$
-XXX $\pm .005$	3.

DO NOT SCALE DRAWING

SIZE	CAGE CODE	DWG. NO.	REV
4/1	B01961	JKO-0036NL	11
SCALE	CADD FILE	M-JKO-0036NL-5	SHEET 5 OF 5