

CXA-P20L-L

Non-dimming/On-board Type

■ Features

- 1 and 2 outputs
- Applicable panel size*: 3 to 8 inches
- Select of quantity for output and output current is possible by connection method.

(Notice) Applicable panel size becomes a standard.

■ Applications



CXA-P20L-L Specifications (Please refer to each specification before use)

Electrical Characteristics

CONNECTION A

Item	Unit	Symbol	Specification			Condition			Remark
			min	typ	max	Vin(V)	Ta(°C)	RL(kΩ)	
Output Current	mArms	Iout	18	20	22	12±0.12	23±5	15	
			16	20	24	12±0.6	-10 to +60	11.2 to 18.8	
Input Current	A	Iin	-	0.63	0.95	12±0.6	-10 to +60	11.2 to 18.8	
Frequency	kHz	Freq	25	28	33	12±0.6	-10 to +60	11.2 to 18.8	
Open Circuit Voltage	Vrms	Vopen	800	900	-	12±0.6	-10 to +60	∞	Open load

CONNECTION B

Item	Unit	Symbol	Specification			Condition			Remark
			min	typ	max	Vin(V)	Ta(°C)	RL(kΩ)	
Output Current	mArms	Iout	10	12	13	12±0.12	23±5	25	
			9	12	14	12±0.6	-10 to +60	19 to 31	
Input Current	A	Iin	-	0.42	0.64	12±0.6	-10 to +60	19 to 31	
Frequency	kHz	Freq	27	32	37	12±0.6	-10 to +60	19 to 31	
Open Circuit Voltage	Vrms	Vopen	800	900	-	12±0.6	-10 to +60	∞	Open load

CONNECTION C

Item	Unit	Symbol	Specification			Condition			Remark
			min	typ	max	Vin(V)	Ta(°C)	RL(kΩ)	
Output Current	mArms	Iout	9	10	11	12±0.12	23±5	30	
			8	10	12	12±0.6	-10 to +60	22.5 to 37.5	
Input Current	A	Iin	-	0.63	0.95	12±0.6	-10 to +60	22.5 to 37.5	
Frequency	kHz	Freq	23	28	33	12±0.6	-10 to +60	22.5 to 37.5	
Open Circuit Voltage	Vrms	Vopen	800	900	-	12±0.6	-10 to +60	∞	Open load

Other Specifications

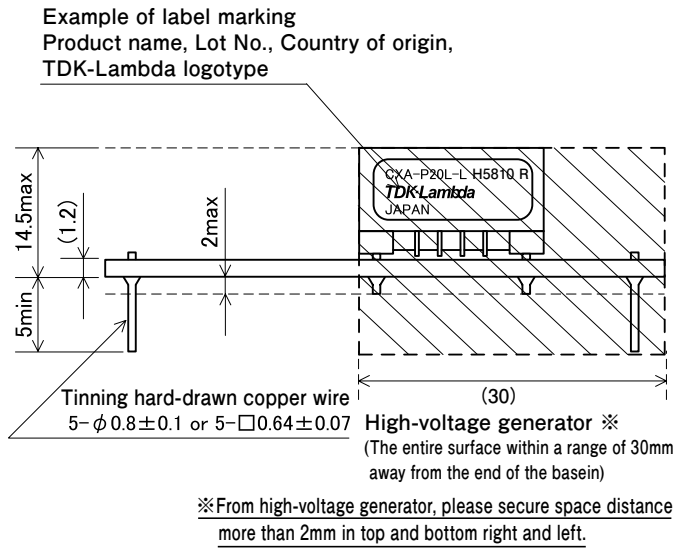
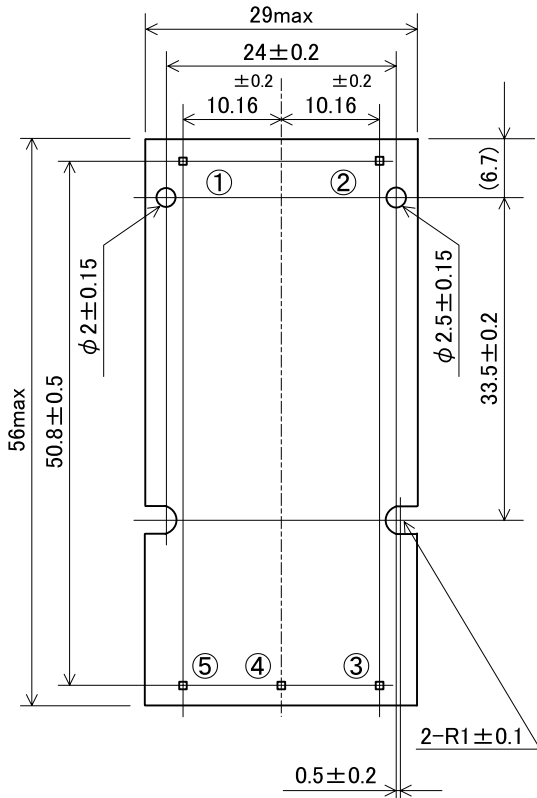
Dimming Function		No
Operating Temperature	°C	-10 to +60
Storage Temperature	°C	-20 to +85
Operating Humidity Ratio	RH%	95Max
Safety Standard		-
Weight	g	20.8
Dimensions(WxDxH)	mm	56x29x16.5 (*1)
Fused Input		No
Remote ON / OFF		No
Alarm Signal Function		No
Shutdown Function		No
Silicone Coating on High Voltage Area		No

(*1) These dimensions are indicated the maximum. Length of input-output terminal pin is not included.

■ Conformity to RoHS Directive

This means that, in conformity with EU Directive 2002/95/EC, lead, cadmium, mercury, hexavalent chromium, and specific bromine-based flame retardants, PBB and PBDE, have not been used, except for exempted applications.

Outline Drawing



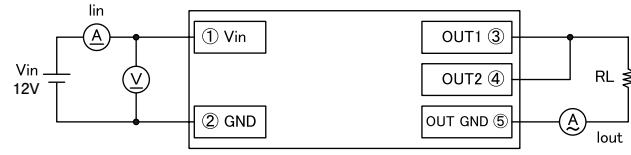
unit:mm

Terminal Numbers And Functions

Terminal number	Symbol	Rated voltage
①	Vin	12V
②	GND	0V
③	OUT1	300Vrms
④	OUT2	300Vrms
⑤	OUT GND	0V

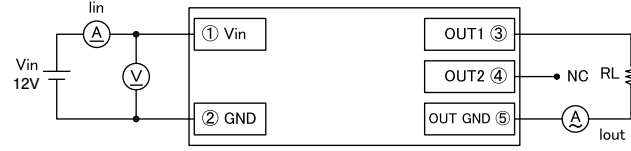
Connections

CONNECTION A



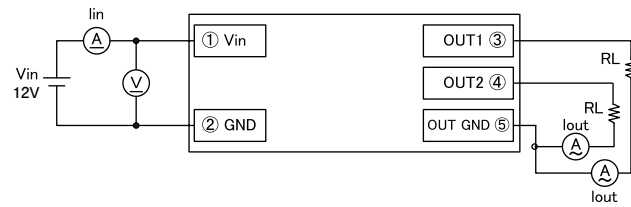
Shunting in OUT1 and OUT2

CONNECTION B



Open OUT1 or OUT2

CONNECTION C



RL : Load resistance (7W minimum)