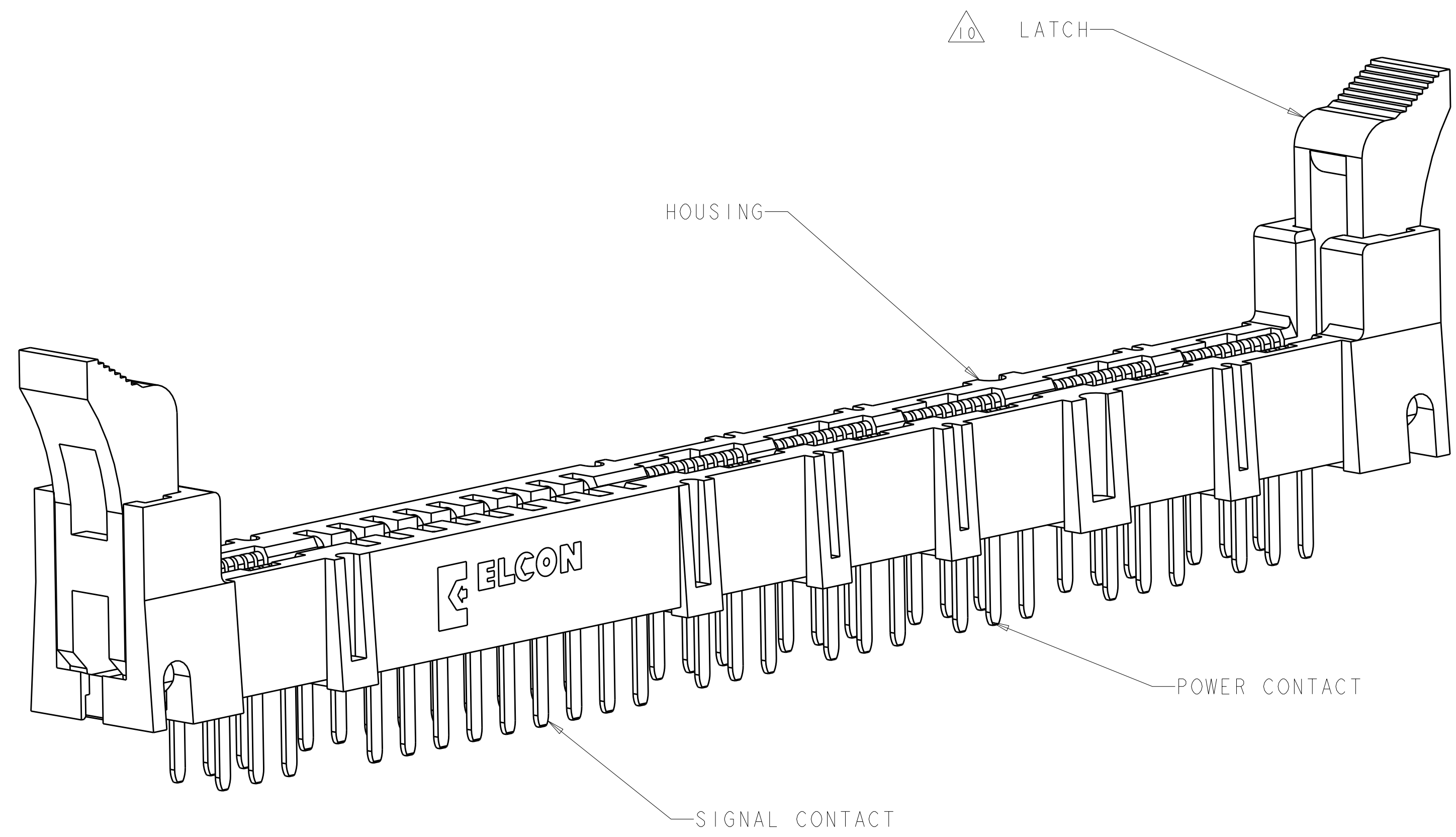


LOC	DIST	REVISIONS			
		REV	DATE	BY	APPD
GP	00	C	09JAN2009	RG	PD

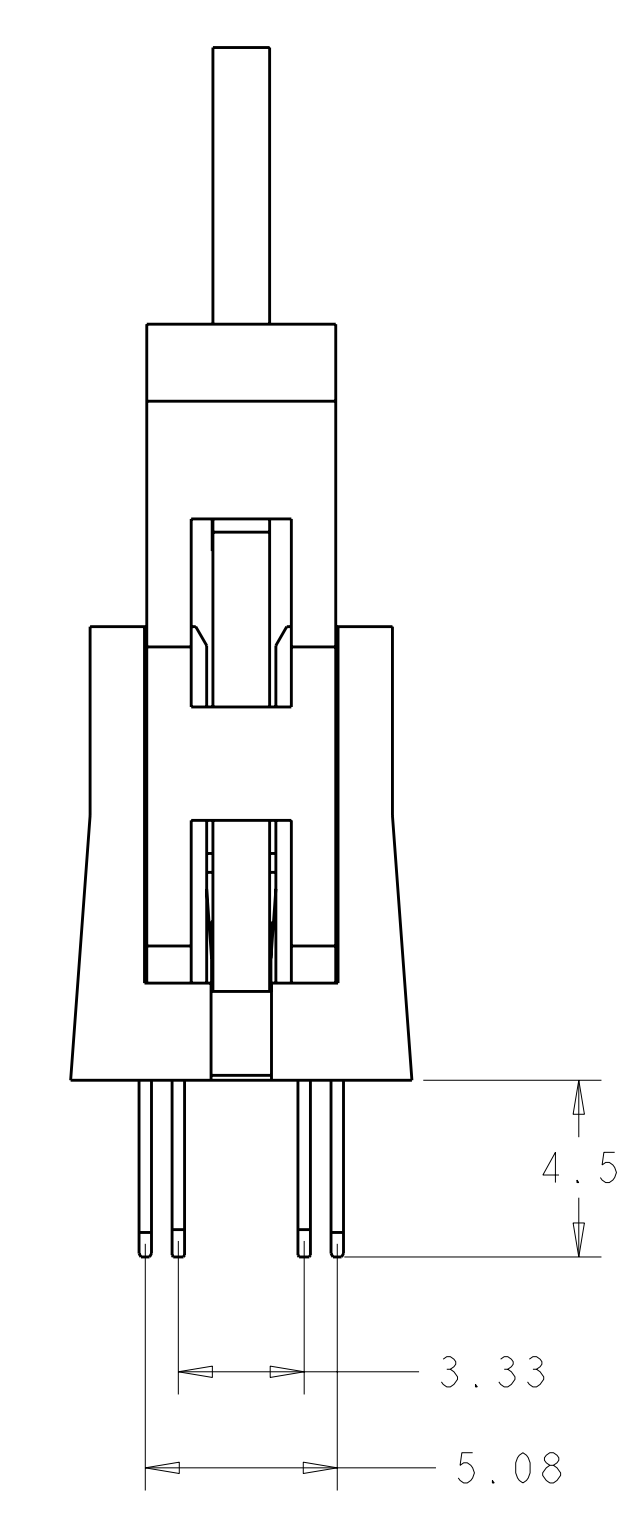
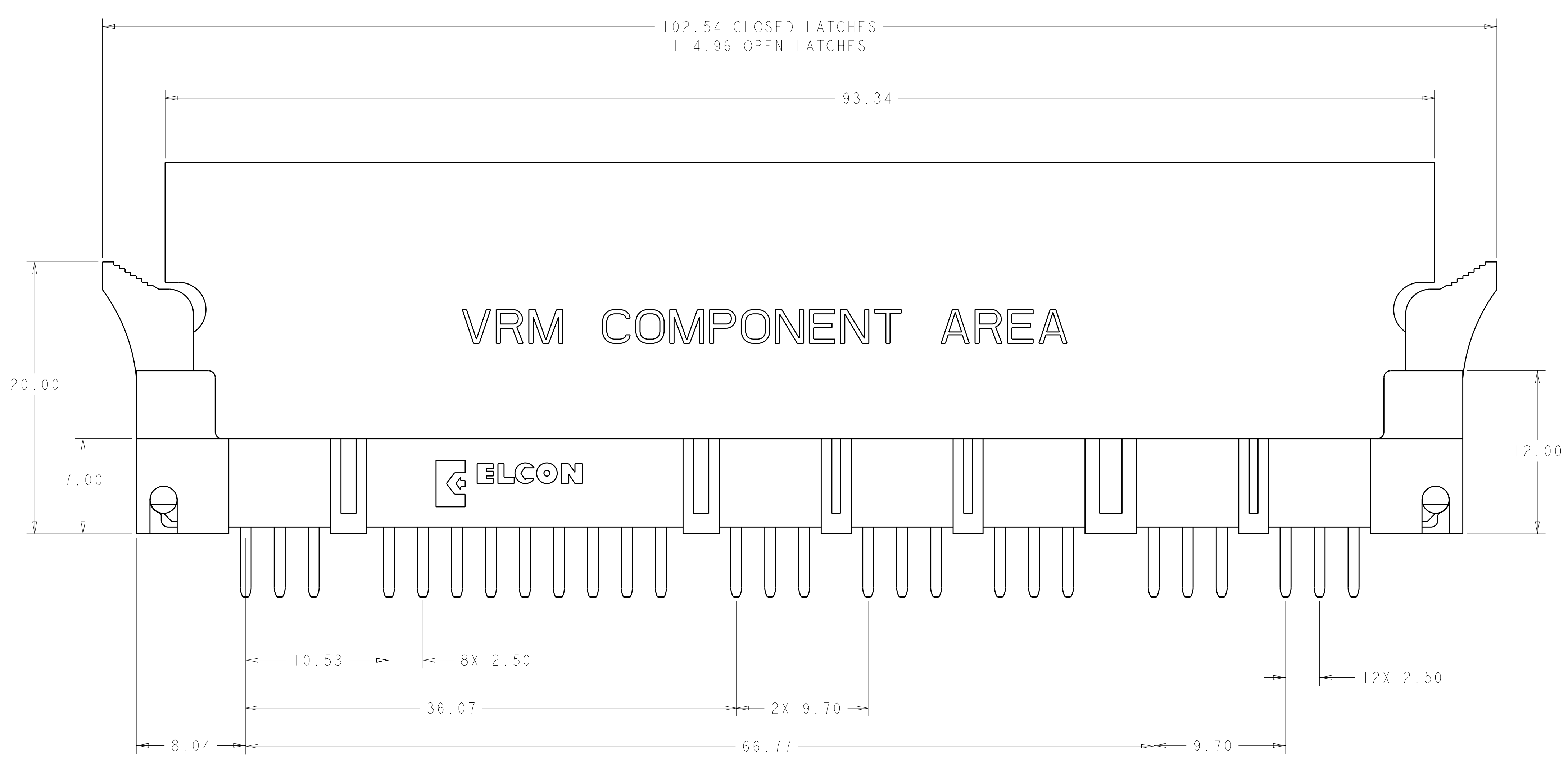
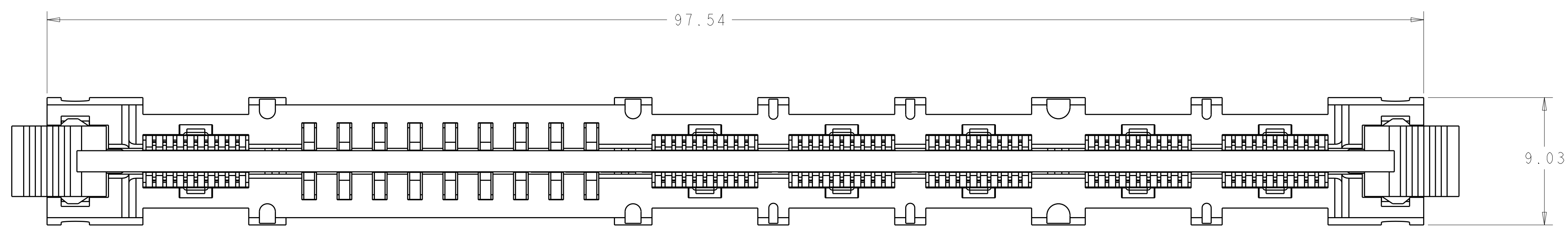


1. PART NUMBER CHANGES AND OR DESIGN CHANGES AFFECTING ITEM INTERCHANGEABILITY REQUIRE PRIOR TYCO ELECTRONICS APPROVAL AND AUTHORIZATION BY REVISION TO THIS DRAWING.
2. MATERIAL:  
 HOUSING: GLASS FILLED POLYESTER, COLOR-BLACK  
 UL94V-0 FLAMMABILITY RATED  
 LATCHES: THERMOPLASTIC, GLASS REINFORCED  
 COLOR: BLACK, UL94V-0 FLAMMABILITY RATED  
 CONTACTS: COPPER ALLOY
3. FINISH:  
 SIGNAL CONTACTS:  
 MATING AREA-0.76µm MIN GOLD OVER 3.81µm MIN NICKEL  
 0.64µm MIN NICKEL PLATE OVER REMAINDER  
 SMT TAILS-3.81µm MIN MATTE TIN OVER NICKEL PLATE  
 POWER CONTACTS:  
 1.27µm MIN NICKEL PLATE ALL OVER  
 MATING AREA-0.76µm MIN GOLD OVER NICKEL PLATE  
 SMT TAILS-3.05µm MIN TIN OVER NICKEL PLATE
4. ITEMS PROVIDED TO THIS SPECIFICATION TO BE PERMANENTLY IDENTIFIED WITH PART NUMBER AND DATE CODE.
5. MAXIMUM BURR OF 0.013 ON CARD TAB AREA.
6. SET TRACE BACK FROM PC BOARD EDGE. NO SOLDERMASK ALLOWED BETWEEN PC BOARD EDGE AND TRACE.
7. CONNECTOR ACCEPTS 1.57±0.13 THICK PC BOARD.
8. KEEP OUT AREA FOR COMPONENTS ONLY.
9. FEATURE REQUIRED FOR USE WITH LATCH.
10. CAUTION:  
 LATCHES ARE INTENDED FOR RETENTION OF PC BOARD TO CONNECTOR. DO NOT ATTEMPT TO FULLY EJECT PC BOARD FROM CONNECTOR WHILE DISENGAGING LATCHES, DAMAGE TO LATCHES AND OR CONNECTOR MAY OCCUR.
11. RECOMMENDED GOLD FINGER LENGTH FOR RELIABLE CONTACT.
12. FOR DESIGN OBJECTIVES SEE 108-2301.
13. RECOMMENDED PRINTED CIRCUIT HOLE:  
 FINISHED HOLE:  $\varnothing 1.02 \pm .08$   
 DRILLED HOLE:  $\varnothing 1.15 \pm .013$   
 COPPER PLATE: .025 MIN. (PER SURFACE)  
 TIN PLATE: .008 MIN (PER SURFACE)

AS SHOWN	1651826-1
DESCRIPTION	PART NO.

DIMENSIONS: mm 		TOLERANCES UNLESS OTHERWISE SPECIFIED: 9 PLC ±.5 1 PLC ±.5 2 PLC ±.25 3 PLC ±.25 4 PLC ±.25 ANGLES ±0.0001 FINISH ±.5		DWN HA/GRZYBOWSKI 01/25/05 CHK P.DAMATO APVD CHAU/PERCHERAE 06/28/06 PRODUCT SPEC APPLICATION SPEC WEIGHT CUSTOMER DRAWING		Tyco Electronics Harrisburg, PA 17105-3608 NAME SOCKET CONNECTOR ASSEMBLY W/LATCHES MC-P6S9 MINI CROWN EDGE SIZE CAGE CODE DRAWING NO A100779C=1651826 RESTRICTED TO	
MATERIAL 		FINISH 		SCALE 5:1 SHEET 1 OF 4 REV C		Tyco Electronics Harrisburg, PA 17105-3608	

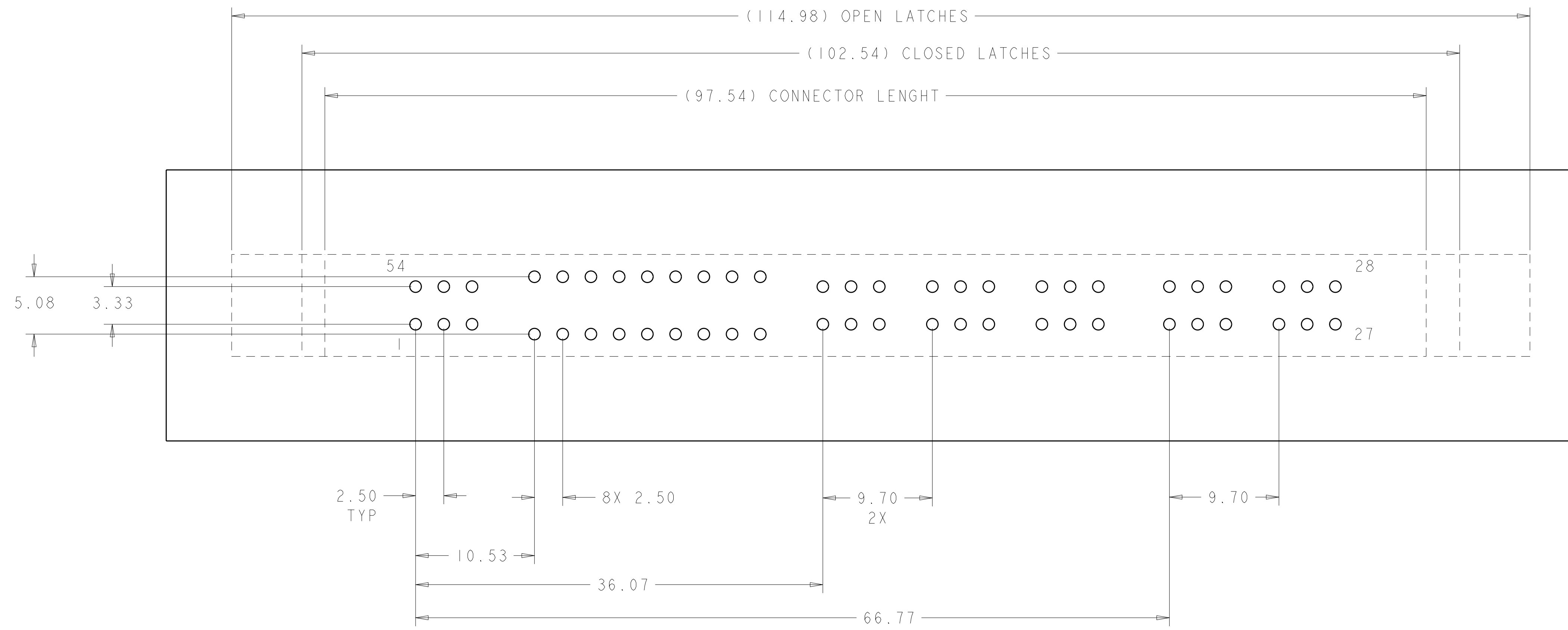
LOC	DIST	REVISIONS					
GP	00	P	LTR	DESCRIPTION	DATE	DWN	APVD
		-	-	SEE SHEET 1	-	-	-



DIMENSIONS: mm 		TOLERANCES UNLESS OTHERWISE SPECIFIED: 9 PLC ±.5 1 PLC ±.5 2 PLC ±.25 3 PLC ±.5 4 PLC ±0.001 ANGLES ±.5 FINISH		DWN HA/GRZYBOWSKI 01/25/05 CHK P.DAMATO APVD CHAU/PERCHERAE 06/28/06 PRODUCT SPEC APPLICATION SPEC WEIGHT CUSTOMER DRAWING		Tyco Electronics Harrisburg, PA 17105-3608 NAME SOCKET CONNECTOR ASSEMBLY W/LATCHES MC-P6S9 MINI CROWN EDGE SIZE CAGE CODE DRAWING NO. RESTRICTED TO A1100779C-1651826 SCALE 5:1 SHEET 2 OF 4 REV C	
-----------------------	--	---	--	--	--	--	--



LOC	DIST	REVISIONS					
GP	00	P	LTB	DESCRIPTION	DATE	DWN	APVD
		-	-	SEE SHEET 1	-	-	-



RECOMMENDED SOLDER LAND GUIDELINE  
 AS VIEWED FROM CONNECTOR SIDE

<small>THIS DRAWING IS UNPUBLISHED. RELEASED FOR PUBLICATION 20. THIS IS SUBJECT TO CHANGE WITHOUT NOTICE AND WITHOUT OBLIGATION. SHOULD BE CONTACTED FOR THE LATEST REVISION.</small>		DWN HA/GRZYBOWSKI 01/25/05 CHK P.DAMATO 06/28/06 APVD CHAU/PERCHERRE	Tyco Electronics Harrisburg, PA 17105-3608
DIMENSIONS: mm 	TOLERANCES UNLESS OTHERWISE SPECIFIED: 9 PLC ±.5 2 PLC ±.25 5 PLC ±.25 4 PLC ±.0001 ANGLES ±.5 FINISH	NAME SOCKET CONNECTOR ASSEMBLY W/LATCHES MC-P6S9 MINI CROWN EDGE SIZE CAGE CODE DRAWING NO. A100779C-1651826 WEIGHT CUSTOMER DRAWING	RESTRICTED TO SCALE 5:1 SHEET 4 OF 4 REV C