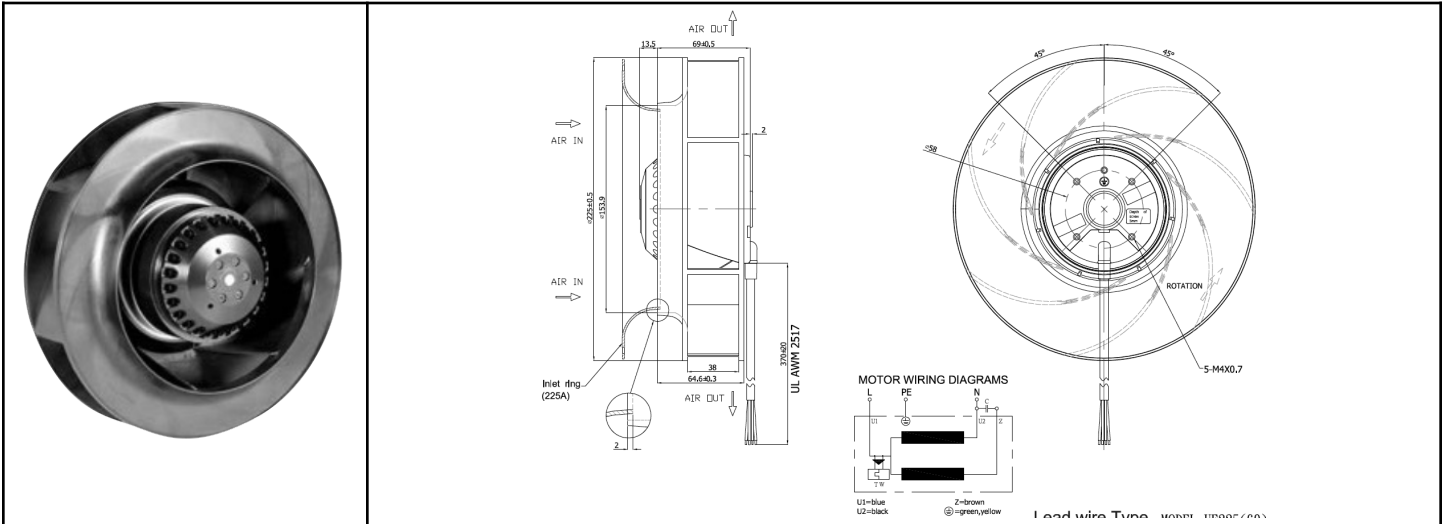


OAB22569 Series



AC Blower, ball bearing
225x69 (8.86"x 2.72")



Backwards Curved Impeller		<u>Insulation Housing:</u> AC1500V / 1 minute <u>Insulation Resistance:</u> > 100 M ohms DC500V <u>Operating Temperature</u> -40 C ~ +60C <u>Life Expectancy</u> 40,000 hours (L10, 40C) Ball bearing IP55 Rated Weight 5.1 lbs. m2	<p>Blue = 60Hz Red = 50Hz</p>
Frame & Impeller	Frame - Diecast aluminum Impeller - UL94V-O Thermoplastic		
Connection	Lead Wires		
Motor	AC Capacitor drive 12uF/250V (115V) 3uF/450V (230V) (Capacitor Included)		
Bearing System	Dual Ball		

Part Number	OAB22569-11-1WB	OAB22569-22-1WB
Nominal Voltage	115 VAC (50/60 Hz)	230 VAC (50/60 Hz)
Nominal Current (Amps)	1.11 / 1.12	0.54 / 0.56
Locked Current (Amps)	2.22 / 2.30	1.14 / 1.15
Rated Power	105 / 125 W	105 / 125 W
Rated Speed (RPM)	2650 / 2950	2650 / 2950
Airflow (CFM)	500 / 550	500 / 550
Noise Level (dB)	70 / 72	70 / 72
Max. Static Pressure	1.8 / 2.3" H ₂ O	1.8 / 2.3" H ₂ O