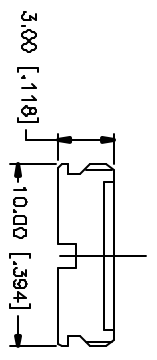
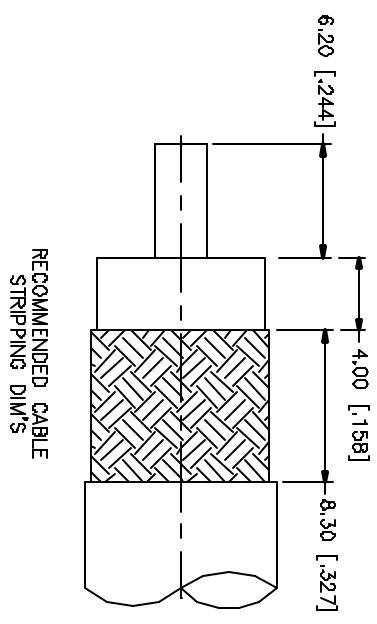
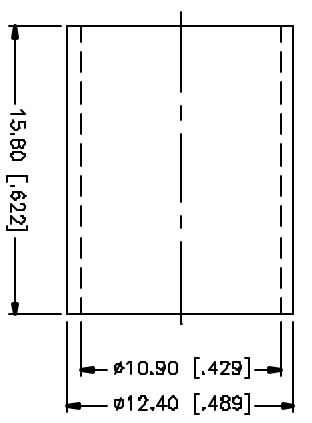
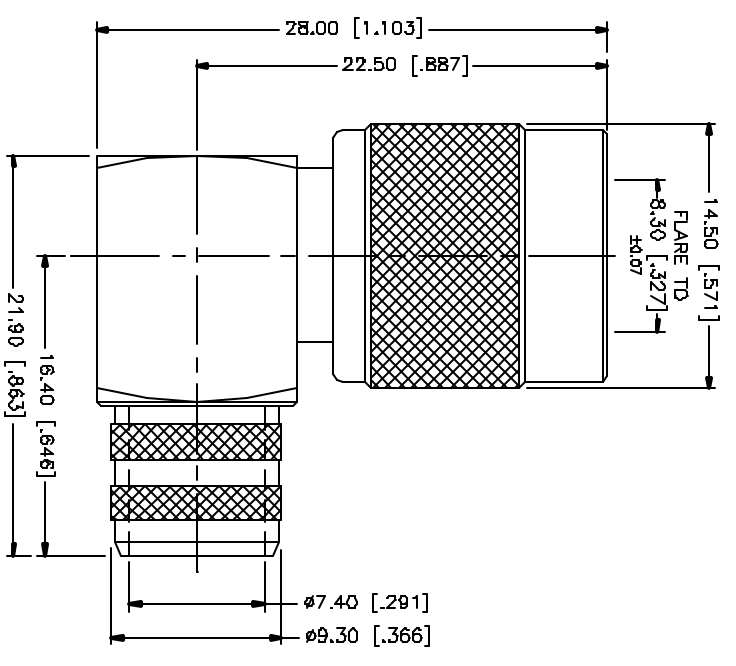


REV.	DATE	DESCRIPTION
NC	01/09/05	INITIAL RELEASE



- NOTES:
1. CRIMPED FERRULE HEX SIZE .429"
 2. SOLDER CENTER CONTACT.

DESCRIPTION	MATERIAL	FINISH	QTY
8			
7			
5	COVER	BRASS	1
4	FERRULE	COPPER	1
3	CONTACT PIN	BRASS	1
2	INSULATOR	TEFLON	1
1	BODY	BRASS	1

UNLESS OTHERWISE SPECIFIED ENGINEERING UNITS WILL BE IN MILLIMETERS FOR DIMENSIONS IN SQUARE MILLIMETERS AND IN INCHES FOR DIMENSIONS IN SQUARE INCHES. TOLERANCES FOR DIMENSIONS ARE:
0.5 - 30mm ± 0.20mm
30 - 120mm ± 0.50mm
UNLESS OTHERWISE SPECIFIED TOLERANCES FOR Holes ARE:
.020 - .315 ± 0.007"
.315 - 1.180 ± 0.015"
1.180 - 4.724 ± 0.020"

APPROVALS	DATE
DRAWN G.R.S.	01/09/05
CHECKED	
DESIGN	
SHEET 1 OF 1	

CAD FILE	DWG. NO.	REV.	NC	SIZE	SCALE
C:/122/122502.DWG	122502.DWG	NC		A	NA

PART DESCRIPTION	PART NO.
TNC R/A CRIMP PLUG (FOR RG8 AND RG213/U CABLE)	122502

Amphenol Connex