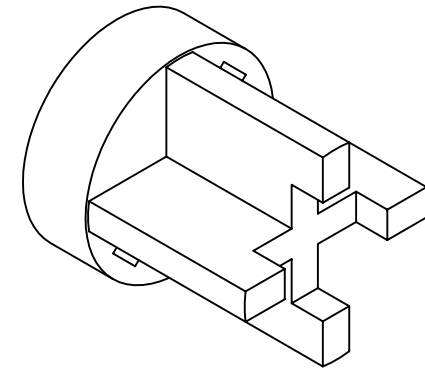


PART NO.	"A"
LEDS2E-3-01	3/16 (4.8)
LEDS2E-4-01	1/4 (6.5)
LEDS2E-6-01	3/8 (9.5)
LEDS2E-8-01	1/2 (12.7)
LEDS2E-10-01	5/8 (15.9)
LEDS2E-12-01	3/4 (19.1)
LEDS2E-14-01	7/8 (22.2)
LEDS2E-16-01	1 (25.4)



NOTES:

- MATERIAL: NYLON 6/6 (RMS-01)  
FLAME RETARDANT, NYLON (RMS-19),  
AVAILABLE BY SPECIAL ORDER ONLY.  
TO ORDER, REPLACE "-01" WITH "-19"
- COLOR: NATURAL.

TITLE: LED SPACER (TYPE 2E)			DWG IN IN (MM)		FINAL		PRINT TYPE		
E	ADDED MAT'L NOTES	SM 06.05.02	FILE #	LEDS2E	DWN:	JB	APP:	PART # SEE TABLE	CA
D	CHANGED FILE NO.	SM 02.27.02	MAT'L:	SEE NOTES	DT:	1.25.96	DT:		
C	CORRECTED DIM .04 & .08	SM 02.13.01	RE:	RICHCO, INC.	RICHCO INC.				
B	COMPLETELY REDRAWN TO UK NEW STYLE	JK 9.10.99			PO BOX 804238, CHICAGO, 60680				
A	ORIGINALLY DRAWN BY JB	JB 1.25.96			(773) 539-4060				
REV	DESCRIPTION	ENGR DATE	TOLERANCES UNLESS NOTED	.XX=±.010	.XXX=±.005	FRAC=±1/64	ANG=±1°		