

BS.C ,202788,197

D

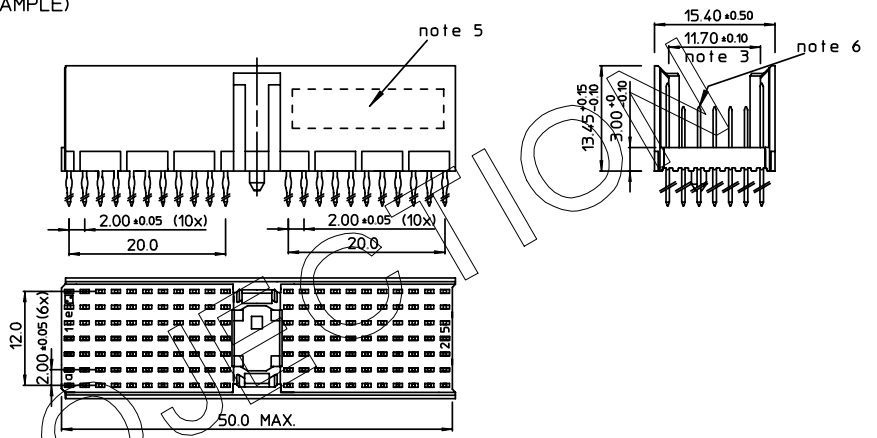
GEN. ST.	01	02	03	04	05	06	07	08	0D	50	60	70	80	90																	
INT. ST.	10	11	12	13	14	18	20	31	32	33	34	38	39	40	42	43	44	45	46	48	56	70	72	73	75	76	81	82	83	84	88

REV.	DATE	DESCRIPTION	BY	C 'K'D'
A	2002-04-16	B20081	MFRÉT	
B	2002-05-29	EC B20086	MF	
C	2005-11-17	105-0236	ALEX B	BKP
D	2006-08-11	106-0146	VIVEK	BKP

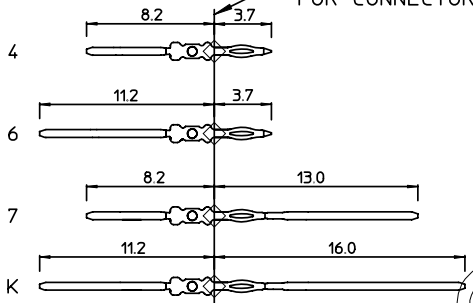
LOADING PATTERN MATING SIDE

f	6	6	6	6	6	6	6	6	6	6					K	K	K	K	K	K	K	K	K	K	K	K	K	K	K	K	K	
e	4	4	4	4	4	4	4	4	4	4					7	7	7	7	7	7	7	7	7	7	7	7	7	7	7	7	7	
d	4	4	4	4	4	4	4	4	4	4					7	7	7	7	7	7	7	7	7	7	7	7	7	7	7	7	7	
c	4	4	4	4	4	4	4	4	4	4					7	7	7	7	7	7	7	7	7	7	7	7	7	7	7	7	7	
b	4	4	4	4	4	4	4	4	4	4					7	7	7	7	7	7	7	7	7	7	7	7	7	7	7	7	7	
a	4	4	4	4	4	4	4	4	4	4					7	7	7	7	7	7	7	7	7	7	7	7	7	7	7	7	7	
z	0	0	0	0	0	0	0	0	0	0					0	0	0	0	0	0	0	0	0	0	0	0	0	0	0	0	0	
POS	0														1																	
	1														5																	

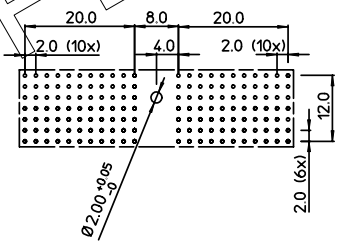
LOADED CONNECTOR ASSEMBLY (FOR EXAMPLE)



CONTACT OVERVIEW SEATING PLANE FOR CONNECTOR



LAY-OUT P.C.B.-HOLE



LEAD FREE INDICATOR : LF = LEAD FREE (DIGIT 15 & 16)

HM2P07PKW1F9

PLATING CODE (DIGIT 13 AND 14) (REF DWG No. BS.C ,201844,003)

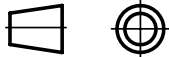
NOTES:

1. THIS PRODUCT IS CSA APPROVED.
2. THIS PRODUCT IS UL RECOGNIZED.
3. MEASURED AT THE BOTTOM.
4. MATERIAL CONTACT: PHOSPHORBRONZE HOUSING: CREAM WHITE GLASSFILLED POLYESTER UL-94V0
5. CONNECTOR PRINTED WITH P/N AND DATE CODE.
6. FOR ACTUAL CONTACT LOADINGS, SEE LOADING PATTERN MATING SIDE.
7. SHAPE OF CONNECTOR HOUSING CAN ALTER DEPENDING ON PRODUCTION LOCATION.
8. THE PRODUCT (LF) MEETS EUROPEAN UNION DIRECTIVES AND OTHER COUNTRY REGULATIONS AS DESCRIBED IN GS-22-008
9. FOR RECOMMENDED PTH DIMENSIONS REFER DRAWING : BS.A ,201572,001

EUROPEAN PRO

1DEC ± 0.2 2DEC ± 0.1 ANGLES ± 1°	APPR.	DATE	SIGN.	MPACS 5+1R STR HDR CONN TYPE A
	DRAFT	2002-04-15	M.Fret	CAT. No. HM2P07PKW1F9----
	CHECKED			SCALE
WE RESERVE THE RIGHT TO CHANGE DIMENSIONS OR REQUIREMENTS WITHOUT PRIOR NOTICE.	PROD. MGR.			FCI www.fciconnect.com
	PR. ENG. MGR.			
ALL DIMENSIONS IN MM	PR. MGT. MGR.			

REFERENCES



BS.C ,202788,197 D

DRAWING No. CUSTOMER DRAWING REVISION

PDM: Rev:D

STATUS: Released

Printed: Dec 03, 2007