

PART NUMBER	REV	TERMINATOR	FEED TYPE	DESCRIPTION
1530330-1	A	LEADMAKER	MECH POST FEED	CUTS CARRIER
1530330-2	A	BENCH	MECH PRE FEED	CUTS CARRIER
1530330-6	A	LEADMAKER	MECH POST FEED	CONTINUOUS CARRIER
7-1530330-1	A	LEADMAKER	MECH POST FEED	-1 AND SPARE PARTS
7-1530330-2	A	BENCH	MECH PRE FEED	-2 AND SPARE PARTS
7-1530330-6	A	LEADMAKER	MECH POST FEED	-6 AND SPARE PARTS
7-1530330-7	A	-	-	SPARE PARTS KIT

CRIMP	SIZE	TYPE	RANGE
WIRE	1.17 [.046 IN]	F	0.22-0.35mm ²
INSUL	1.57 [.062 IN]	O	Ø1.27 [.05 IN] MAX

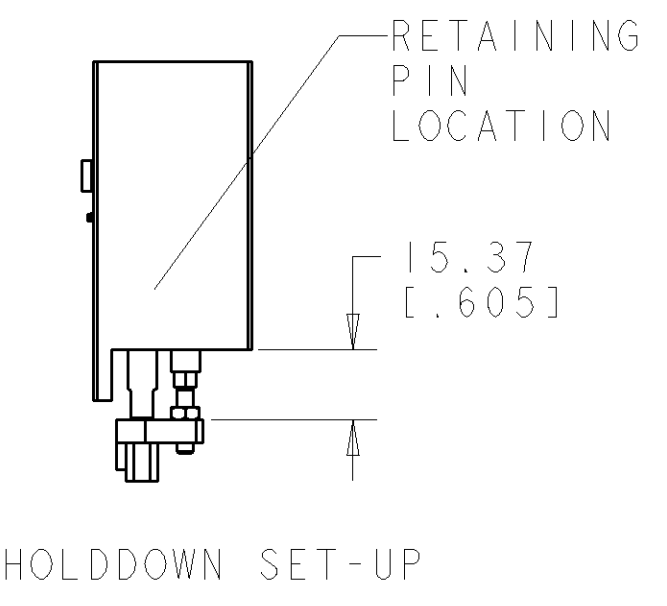
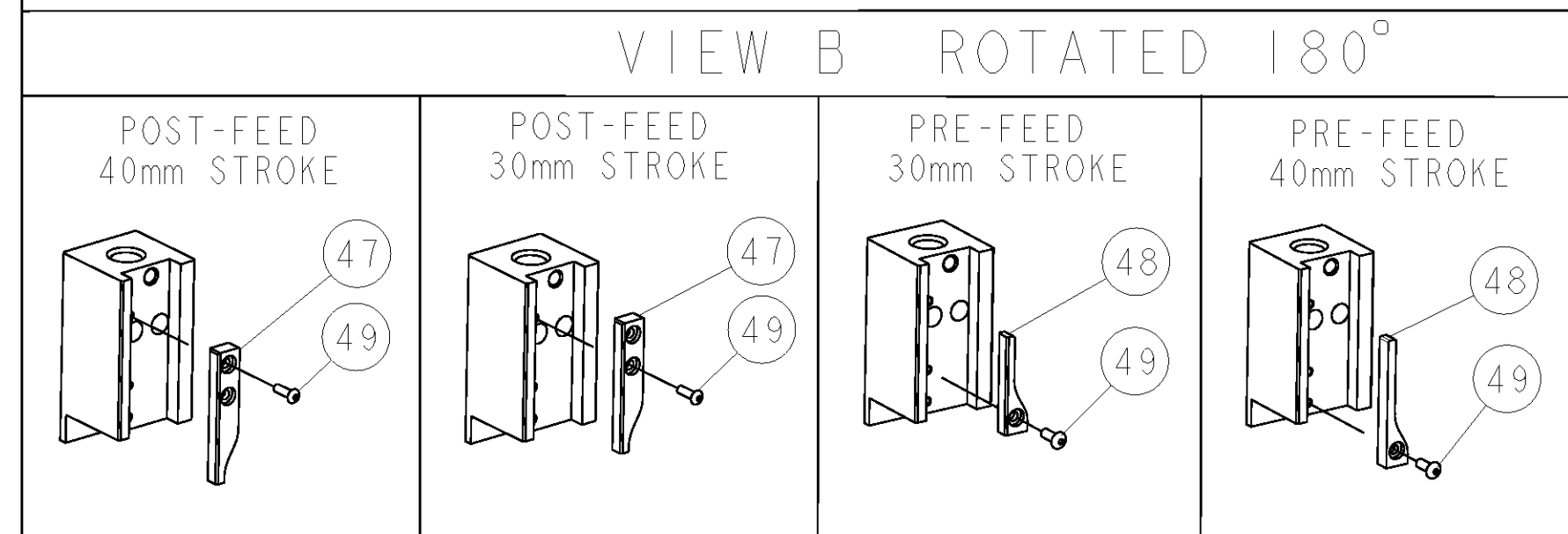
WIRE STRIP LENGTH 3.04-3.42 [.120-.135] APPL INSTRUCTIONS 408-8322 & 408-8490

TERMINAL APPL SPEC	NONE	FEED
	-	7.47 [.294 IN]

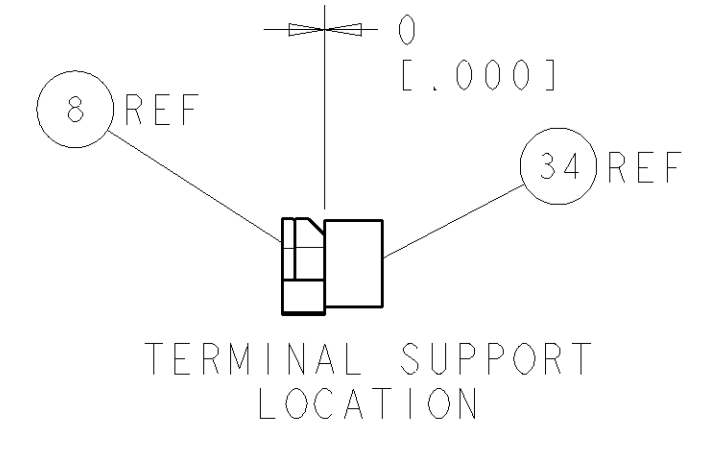
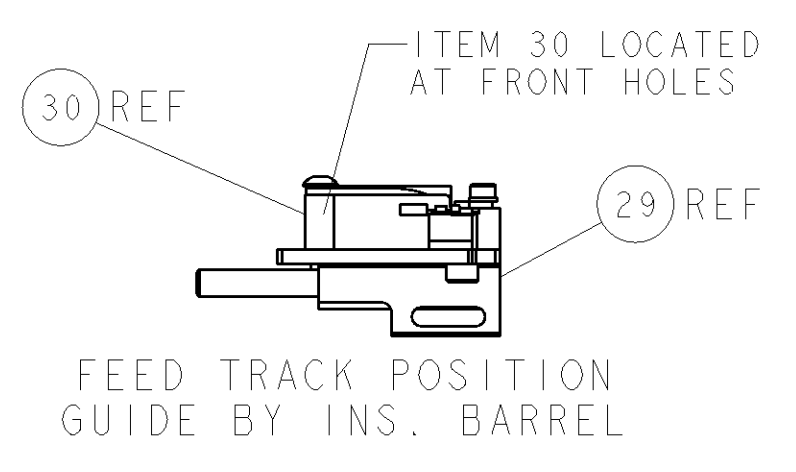
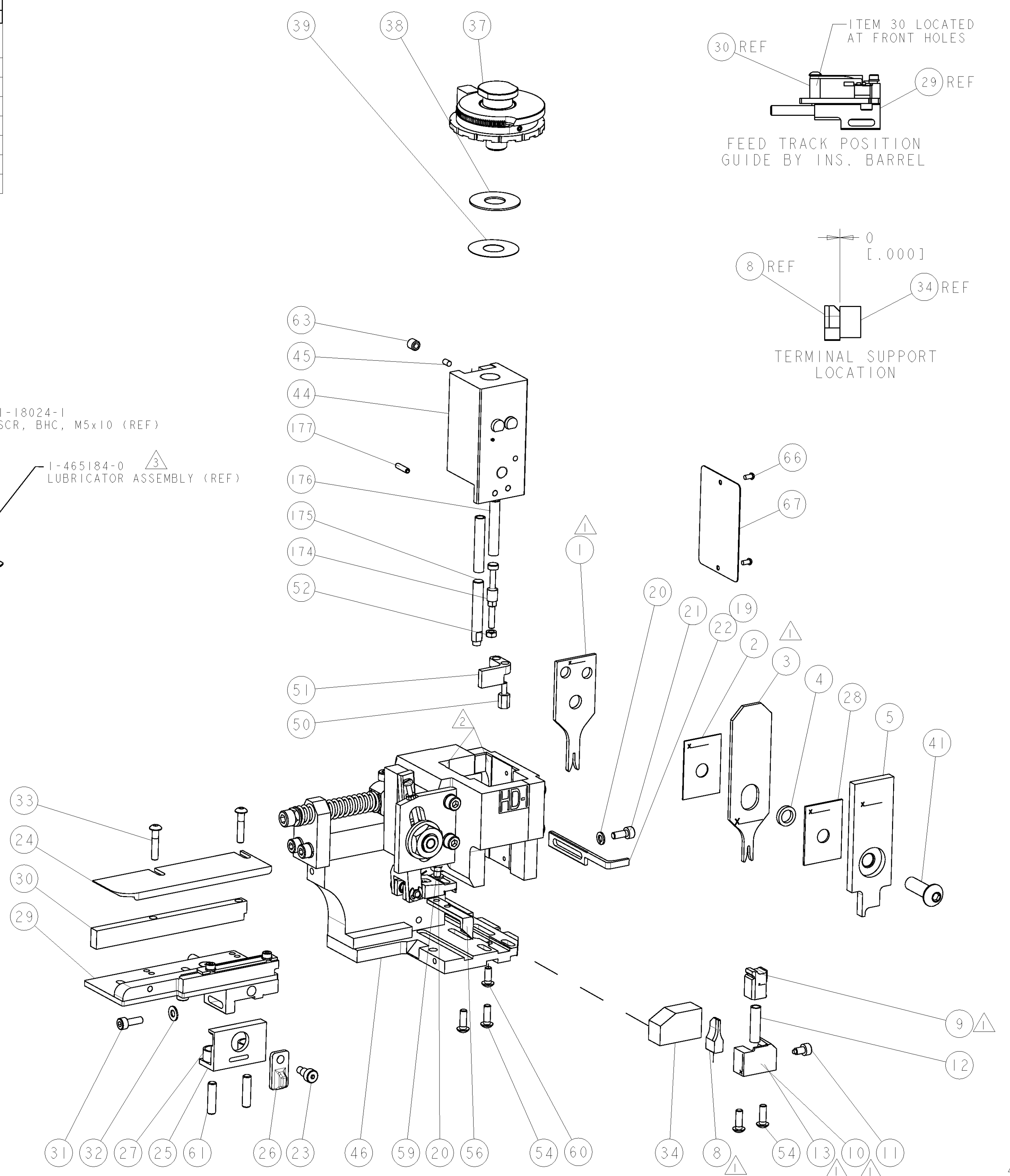
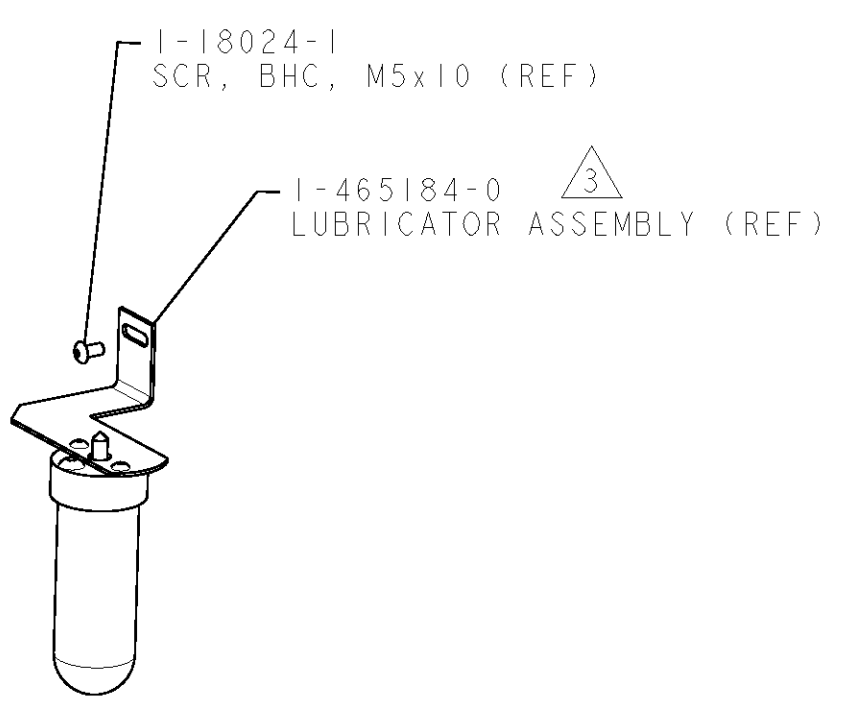
TE PN	MFR PN
2113120-1	13597856

WIRE SIZE	CRIMP HEIGHT	REF SETTING
0.35mm ²	.79 ±0.05 [.031 ±.002 IN]	A9
0.22mm ²	.70 ±0.05 [.028 ±.002 IN]	B7

- △ RECOMMENDED SPARE PARTS.
- △ GREASE RAM, CAM, CAM FOLLOWER AND FEED ROD LIGHTLY.
- △ CERTAIN TERMINALS REQUIRE LUBRICATION. REFER TO THE APPLICATOR INSTRUCTION SHEET FOR MORE INFORMATION.
- 4. LUBRICATE DAILY PER THE APPLICATOR INSTRUCTION SHEET SUPPLIED WITH THE APPLICATOR.



*** WARNING**
ON INSTALLATION, SET WIRE DISC TO LARGEST WIRE SIZE SETTING. USE OF SETTINGS BELOW MIN. REQUIRED CRIMP HEIGHT SETTING WILL CAUSE DAMAGE TO CRIMP TOOLING.



SET UP GAGE 458637-3		LOC	DIST	REVISIONS				
A	66			REV	DESCRIPTION	DATE	DWN	APVD
				1	DEVELOPMENT	26MAY2010	RH	SX
				2	MODIFY TERMINAL PN	28MAY2010	RH	SX
				A	RELEASED	10SEP2010	LG	GB

REV	DESCRIPTION	DATE	DWN	APVD
1	DEVELOPMENT	26MAY2010	RH	SX
2	MODIFY TERMINAL PN	28MAY2010	RH	SX
A	RELEASED	10SEP2010	LG	GB

REV	DESCRIPTION	DATE	DWN	APVD
1	DEVELOPMENT	26MAY2010	RH	SX
2	MODIFY TERMINAL PN	28MAY2010	RH	SX
A	RELEASED	10SEP2010	LG	GB

REV	DESCRIPTION	DATE	DWN	APVD
1	DEVELOPMENT	26MAY2010	RH	SX
2	MODIFY TERMINAL PN	28MAY2010	RH	SX
A	RELEASED	10SEP2010	LG	GB

REV	DESCRIPTION	DATE	DWN	APVD
1	DEVELOPMENT	26MAY2010	RH	SX
2	MODIFY TERMINAL PN	28MAY2010	RH	SX
A	RELEASED	10SEP2010	LG	GB

REV	DESCRIPTION	DATE	DWN	APVD
1	DEVELOPMENT	26MAY2010	RH	SX
2	MODIFY TERMINAL PN	28MAY2010	RH	SX
A	RELEASED	10SEP2010	LG	GB

REV	DESCRIPTION	DATE	DWN	APVD
1	DEVELOPMENT	26MAY2010	RH	SX
2	MODIFY TERMINAL PN	28MAY2010	RH	SX
A	RELEASED	10SEP2010	LG	GB

REV	DESCRIPTION	DATE	DWN	APVD
1	DEVELOPMENT	26MAY2010	RH	SX
2	MODIFY TERMINAL PN	28MAY2010	RH	SX
A	RELEASED	10SEP2010	LG	GB

REV	DESCRIPTION	DATE	DWN	APVD
1	DEVELOPMENT	26MAY2010	RH	SX
2	MODIFY TERMINAL PN	28MAY2010	RH	SX
A	RELEASED	10SEP2010	LG	GB

REV	DESCRIPTION	DATE	DWN	APVD
1	DEVELOPMENT	26MAY2010	RH	SX
2	MODIFY TERMINAL PN	28MAY2010	RH	SX
A	RELEASED	10SEP2010	LG	GB

REV	DESCRIPTION	DATE	DWN	APVD
1	DEVELOPMENT	26MAY2010	RH	SX
2	MODIFY TERMINAL PN	28MAY2010	RH	SX
A	RELEASED	10SEP2010	LG	GB

REV	DESCRIPTION	DATE	DWN	APVD
1	DEVELOPMENT	26MAY2010	RH	SX
2	MODIFY TERMINAL PN	28MAY2010	RH	SX
A	RELEASED	10SEP2010	LG	GB

REV	DESCRIPTION	DATE	DWN	APVD
1	DEVELOPMENT	26MAY2010	RH	SX
2	MODIFY TERMINAL PN	28MAY2010	RH	SX
A	RELEASED	10SEP2010	LG	GB

REV	DESCRIPTION	DATE	DWN	APVD
1	DEVELOPMENT	26MAY2010	RH	SX
2	MODIFY TERMINAL PN	28MAY2010	RH	SX
A	RELEASED	10SEP2010	LG	GB

REV	DESCRIPTION	DATE	DWN	APVD
1	DEVELOPMENT	26MAY2010	RH	SX
2	MODIFY TERMINAL PN	28MAY2010	RH	SX
A	RELEASED	10SEP2010	LG	GB

REV	DESCRIPTION	DATE	DWN	APVD
1	DEVELOPMENT	26MAY2010	RH	SX
2	MODIFY TERMINAL PN	28MAY2010	RH	SX
A	RELEASED	10SEP2010	LG	GB

REV	DESCRIPTION	DATE	DWN	APVD
1	DEVELOPMENT	26MAY2010	RH	SX
2	MODIFY TERMINAL PN	28MAY2010	RH	SX
A	RELEASED	10SEP2010	LG	GB

REV	DESCRIPTION	DATE	DWN	APVD
1	DEVELOPMENT	26MAY2010	RH	SX
2	MODIFY TERMINAL PN	28MAY2010	RH	SX
A	RELEASED	10SEP2010	LG	GB

REV	DESCRIPTION	DATE	DWN	APVD
1	DEVELOPMENT	26MAY2010	RH	SX
2	MODIFY TERMINAL PN	28MAY2010	RH	SX
A	RELEASED	10SEP2010	LG	GB

REV	DESCRIPTION	DATE	DWN	APVD
1	DEVELOPMENT	26MAY2010	RH	SX
2	MODIFY TERMINAL PN	28MAY2010	RH	SX
A	RELEASED	10SEP2010	LG	GB

REV	DESCRIPTION	DATE	DWN	APVD
1	DEVELOPMENT	26MAY2010	RH	SX
2	MODIFY TERMINAL PN	28MAY2010	RH	SX
A	RELEASED	10SEP2010	LG	GB

REV	DESCRIPTION	DATE	DWN	APVD
1	DEVELOPMENT	26MAY2010	RH	SX
2	MODIFY TERMINAL PN	28MAY2010	RH	SX
A	RELEASED	10SEP2010	LG	GB

REV	DESCRIPTION	DATE	DWN	APVD
1	DEVELOPMENT	26MAY2010	RH	SX
2	MODIFY TERMINAL PN	28MAY2010	RH	SX
A	RELEASED	10SEP2010	LG	GB

REV	DESCRIPTION	DATE	DWN	APVD
1	DEVELOPMENT	26MAY2010	RH	SX
2	MODIFY TERMINAL PN	28MAY2010	RH	SX
A	RELEASED	10SEP2010	LG	GB

REV	DESCRIPTION	DATE	DWN	APVD
1	DEVELOPMENT	26MAY2010	RH	SX
2	MODIFY TERMINAL PN	28MAY2010	RH	SX
A	RELEASED	10SEP2010	LG	GB

REV	DESCRIPTION	DATE	DWN	APVD
1	DEVELOPMENT	26MAY2010	RH	SX
2	MODIFY TERMINAL PN	28MAY2010	RH	SX
A	RELEASED	10SEP2010	LG	GB

REV	DESCRIPTION	DATE	DWN	APVD
1	DEVELOPMENT	26MAY2010	RH	SX
2	MODIFY TERMINAL PN	28MAY2010	RH	SX
A	RELEASED	10SEP2010	LG	GB

REV	DESCRIPTION	DATE	DWN	APVD
1	DEVELOPMENT	26MAY2010	RH	SX
2	MODIFY TERMINAL PN	28MAY2010	RH	SX
A	RELEASED	10SEP2010	LG	GB

REV	DESCRIPTION	DATE	DWN	APVD
1	DEVELOPMENT	26MAY2010	RH	SX
2	MODIFY TERMINAL PN	28MAY2010	RH	SX
A	RELEASED	10SEP2010	LG	GB

REV	DESCRIPTION	DATE	DWN	APVD
1	DEVELOPMENT	26MAY2010	RH	SX
2	MODIFY TERMINAL PN	28MAY2010	RH	SX
A	RELEASED	10SEP2010	LG	GB

REV	DESCRIPTION	DATE	DWN	APVD
1	DEVELOPMENT	26MAY2010	RH	SX
2	MODIFY TERMINAL PN	28MAY2010	RH	SX
A	RELEASED	10SEP2010	LG	GB

REV	DESCRIPTION	DATE	DWN	APVD
1	DEVELOPMENT	26MAY2010	RH	SX
2	MODIFY TERMINAL PN	28MAY2010	RH	SX
A	RELEASED	10SEP2010	LG	GB

REV	DESCRIPTION	DATE	DWN	APVD
1	DEVELOPMENT	26MAY2010	RH	SX
2	MODIFY TERMINAL PN	28MAY2010	RH	SX
A	RELEASED	10SEP2010	LG	GB

REV	DESCRIPTION	DATE	DWN	APVD
1	DEVELOPMENT	26MAY2010	RH	SX
2	MODIFY TERMINAL PN	28MAY2010	RH	SX
A	RELEASED	10SEP2010	LG	GB

REV	DESCRIPTION	DATE	DWN	APVD
1	DEVELOPMENT	26MAY2010	RH	SX
2	MODIFY TERMINAL PN	28MAY2010	RH	SX
A	RELEASED	10SEP2010	LG	GB

REV	DESCRIPTION	DATE	DWN	APVD
1	DEVELOPMENT	26MAY2010	RH	SX
2	MODIFY TERMINAL PN	28MAY2010	RH	SX
A	RELEASED	10SEP2010	LG	GB

REV	DESCRIPTION	DATE	DWN	APVD
1	DEVELOPMENT	26MAY2010	RH	SX
2	MODIFY TERMINAL PN	28MAY2010	RH	SX
A	RELEASED	10SEP2010	LG	GB

REV	DESCRIPTION	DATE	DWN	APVD
1	DEVELOPMENT	26MAY2010	RH	SX
2	MODIFY TERMINAL PN	28MAY2010	RH	SX
A	RELEASED	10SEP2010	LG	GB

REV	DESCRIPTION	DATE	DWN	APVD
1	DEVELOPMENT	26MAY2010	RH	SX
2	MODIFY TERMINAL PN	28MAY2010	RH	SX
A	RELEASED	10SEP2010	LG	GB

REV	DESCRIPTION	DATE	DWN	APVD
1	DEVELOPMENT	26MAY2010	RH	SX
2	MODIFY TERMINAL PN	28MAY2010	RH	SX
A	RELEASED	10SEP2010	LG	GB

REV	DESCRIPTION	DATE	DWN	APVD
1	DEVELOPMENT	26MAY2010	RH	SX
2	MODIFY TERMINAL PN	28MAY2010	RH	SX
A	RELEASED	10SEP2010	LG	GB

REV	DESCRIPTION	DATE	DWN	APVD
1	DEVELOPMENT	26MAY2010	RH	SX
2	MODIFY TERMINAL PN	28MAY2010	RH	SX
A	RELEASED	10SEP2010	LG	GB

REV	DESCRIPTION	DATE	DWN	APVD
1	DEVELOPMENT	26MAY2010	RH	SX
2	MODIFY TERMINAL PN	28MAY2010	RH	SX
A	RELEASED	10SEP2010	LG	GB

REV	DESCRIPTION	DATE	DWN	APVD
1	DEVELOPMENT	26MAY2010	RH	SX
2	MODIFY TERMINAL PN	28MAY2010	RH	SX
A	RELEASED	10SEP2010	LG	GB

REV	DESCRIPTION	DATE	DWN	APVD
1	DEVELOPMENT	26MAY2010	RH	SX
2	MODIFY TERMINAL PN	28MAY2010	RH	SX
A	RELEASED	10SEP2010	LG	GB

REV	DESCRIPTION	DATE	DWN	APVD
1	DEVELOPMENT	26MAY2010	RH	SX
2	MODIFY TERMINAL PN	28MAY2010	RH	SX
A	RELEASED	10SEP2010	LG	GB

REV	DESCRIPTION	DATE	DWN	APVD
1	DEVELOPMENT	26MAY2010	RH	SX
2	MODIFY TERMINAL PN	28MAY2010	RH	SX
A	RELEASED	10SEP2010	LG	GB

REV	DESCRIPTION	DATE	DWN	APVD
1	DEVELOPMENT	26MAY2010	RH	SX
2	MODIFY TERMINAL PN	28MAY2010	RH	SX
A	RELEASED	10SEP2010	LG	GB

REV	DESCRIPTION	DATE	DWN	APVD
1	DEVELOPMENT	26MAY2010	RH	SX
2	MODIFY TERMINAL PN	28MAY2010	RH	SX
A	RELEASED	10SEP2010	LG	GB

REV	DESCRIPTION	DATE	DWN	APVD
1	DEVELOPMENT	26MAY2010	RH	SX
2	MODIFY TERMINAL PN	28MAY2010	RH	SX
A	RELEASED	10SEP2010	LG	GB

REV	DESCRIPTION	DATE	DWN	APVD
1	DEVELOPMENT	26MAY2010	R	