

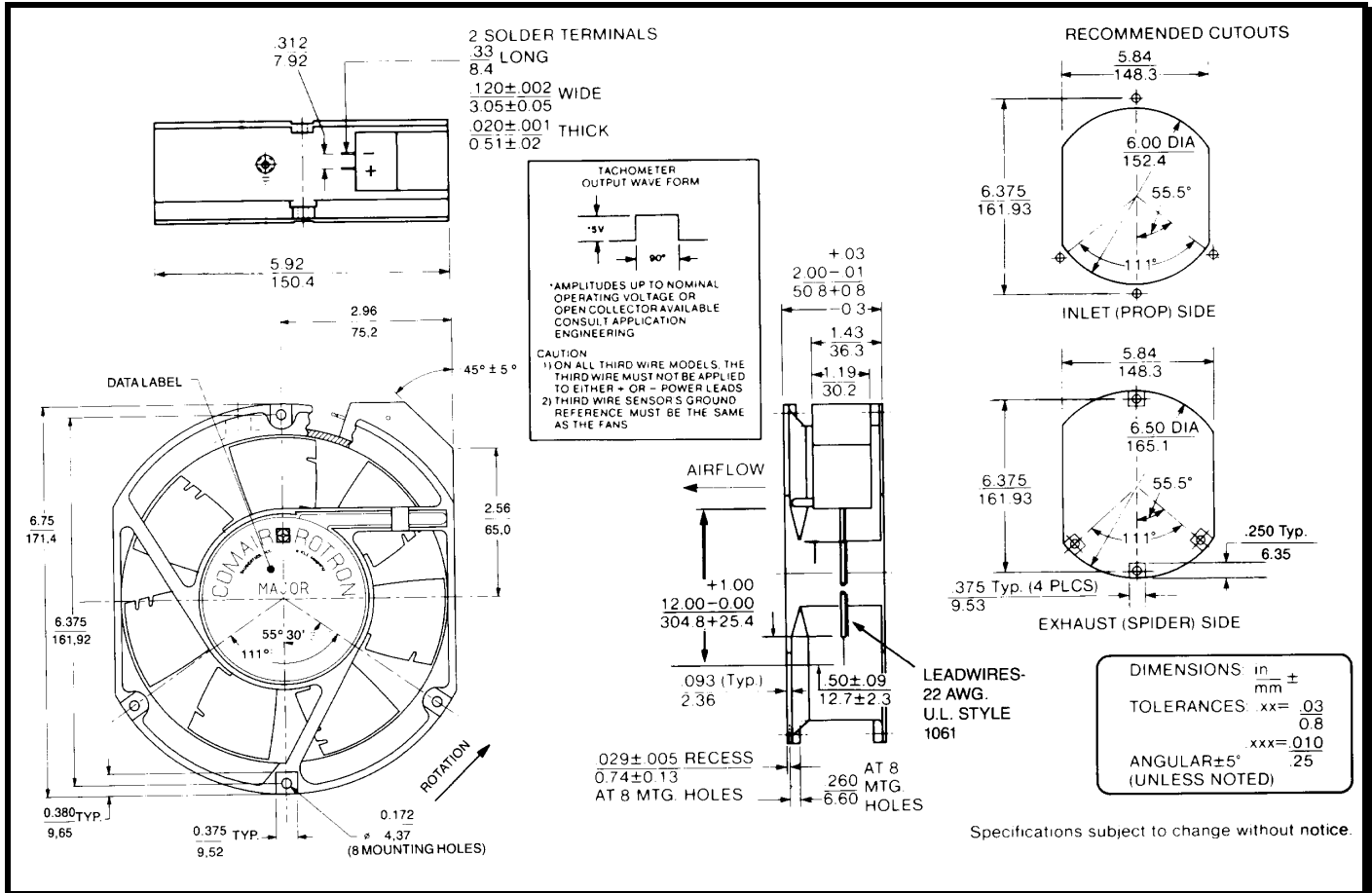
# SPECIFICATIONS



**Model Number:** JQ24B4  
**Part Number:** 19031090A

March 30, 2005

## Mechanical Drawing:



### Motor:

Nominal Voltage	= 24 vdc
Operating Voltage Range	= 12 - 28 vdc
Nominal Running Current	= 1.00 amps
Locked Rotor Current	= 1.55 amps
Running Power	= 24.0 watts
Average Speed	= 3425 rpm
Bearings	= Ball
Air Flow	= 235 CFM
Acoustic	= 54.3 dBA

### Construction:

Venturi: Die-Cast Aluminum, Black  
 Propeller: Plastic, Black, UL 94V-0

### Life Expectancy:

This fan is designed for continuous duty life of 75,000 hours at 40°C.

### Additional Features:

Brushless DC Motor  
 Locked Rotor Protection  
 Polarity Protected  
 Automatic Restart Capability  
 Operating Temperature -10°C to 70°C  
 Storage Temperature: -40°C to 85°C

### Agency Approvals:

UL, CE

### Termination:

Two 0.120" Terminals