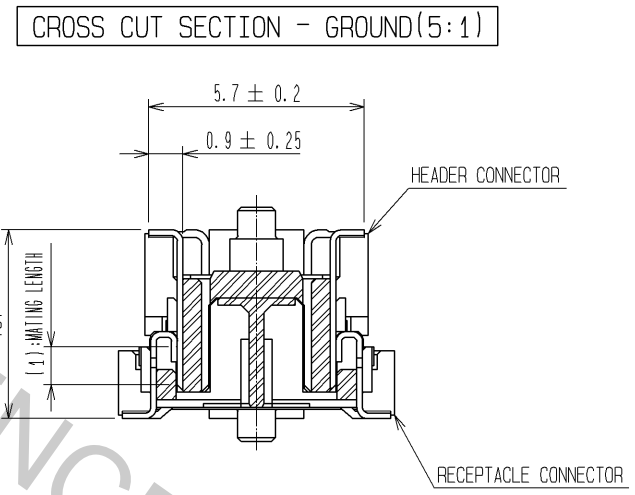
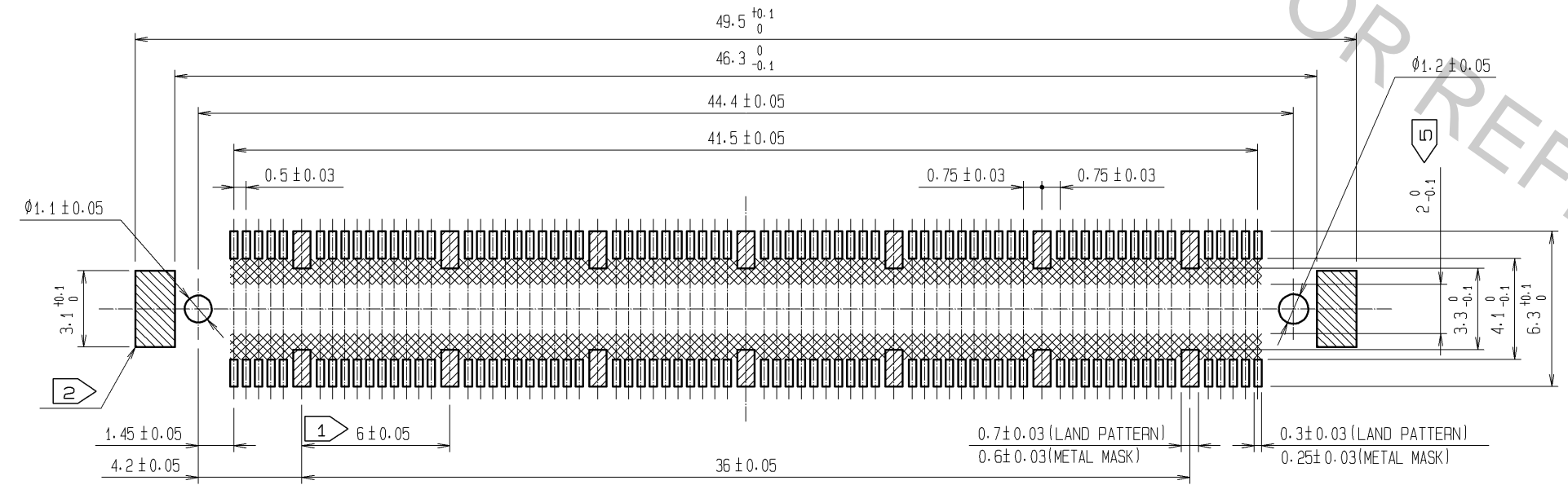


RECOMMENDED LAND PATTERN DIMENSION OF PCB



- NOTES
- ① 14 HATCHED PARTS:GROUND CIRCUIT.
  - ② 2 HATCHED PARTS:GROUND CIRCUIT.
  - ③ SMT LEAD-COPLANARITY:0.1 MAX.
  - ④ THIS PRODUCT HAS NO POLARITY TO PATTERN FOR MOUNTING.
  - ⑤ MAKE SURE WIDTH OF PATTERN IS WITHIN THAT OF LAND, OR LEAD MAY TOUCH PATTERN. (THIS APPLIES TO HATCHED AREA.)
  - ⑥ THE DIMENSIONS IN PARENTHESES ARE FOR REFERENCE.

2	PHOSPHOR BRONZE	TIN-PLATING	4	PHOSPHOR BRONZE	TIN-PLATING		
1	LCP	BEIGE UL94V-0	3	PHOSPHOR BRONZE	CONTACT AREA:GOLD 0.1µm min. LEAD AREA:TIN-PLATING 1µm min. UNDER PLATING:NICKEL 1µm min.		
NO.	MATERIAL	FINISH . REMARKS	NO.	MATERIAL	FINISH . REMARKS		
UNITS mm		SCALE 2 : 1	COUNT 	DESCRIPTION OF REVISIONS	DESIGNED	CHECKED	DATE
<b>HRS</b> HIROSE ELECTRIC CO., LTD.		APPROVED : HS. OKAWA	07.04.18	DRAWING NO. EDC3-151963-25			
		CHECED : HS. OZAWA	07.04.18	PART NO. FX10A-140P/14-SV1(71)			
		DESIGNED : KT. DOI	07.04.18	CODE NO. CL570-0104-8-71			
		DRAWN : TS. MIYAKI	07.04.16				