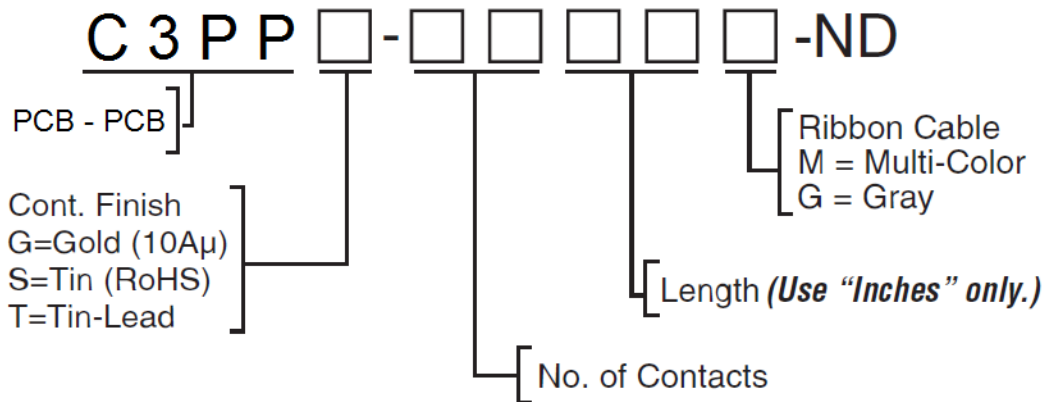
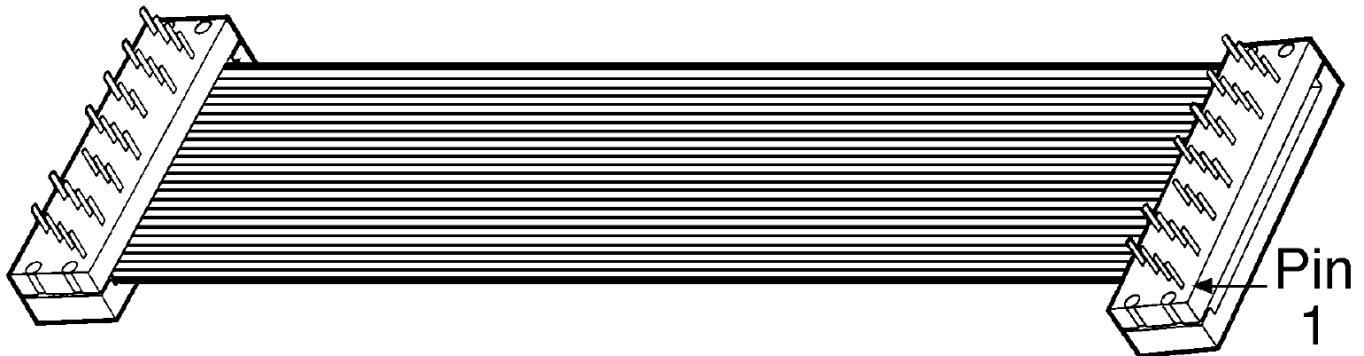




Termination Jumpers

PCB to PCB Connector

[PCB Connectors are without Strain Relief](#)



Digi-Key® Custom Cable Assemblies Available
Call Digi-Key