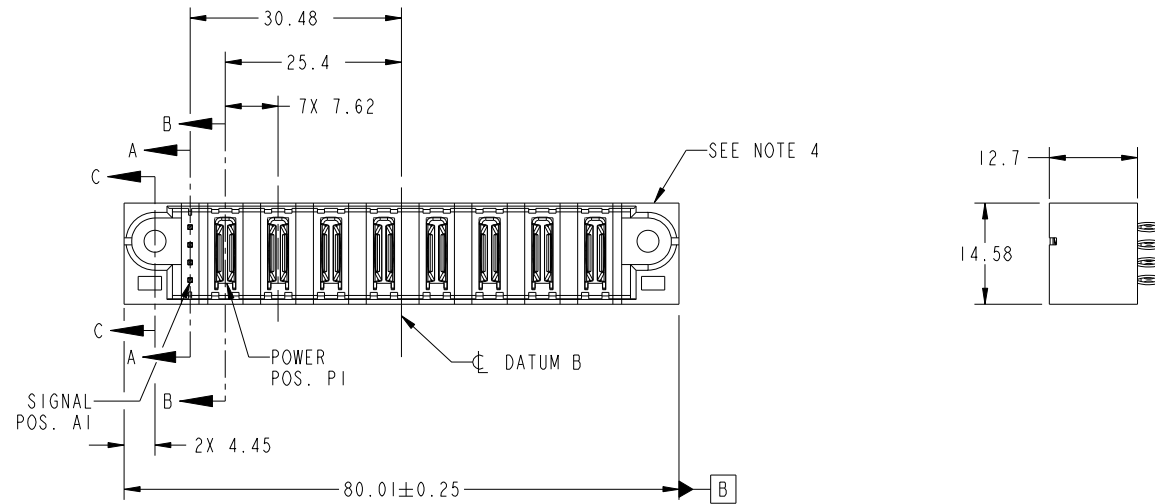


Tous droits strictement reserves. Reproduction ou communication a des tiers interdite sous quelque forme que ce soit sans autorisation écrite du propriétaire. Propriete de c FCI. Droits de reproduction FCI.



All rights strictly reserved. Reproduction or issue to third parties in any form whatever is not permitted without written authority from the proprietor. Property of FCI. Copyright FCI.

PRODUCT NO.	ROWS	POWER															
		E1	1	P1	P2	P3	P4	P5	P6	P7	P8	E2					
51952-146-- NOTE ③	D C B A																



CODE	DIM "M" MATING LENGTH	CONTACT TYPE
PC	[N/A]	POWER
G	[6.86]	SIGNAL

mat'l code				tolerances unless otherwise specified				CUSTOMER		 www.fciconnect.com	
ltr	ecn no.	dr	date	linear	0.X ±0.5		COPY		 title 4S + 8ACP VERTICAL PRESS-FIT HEADER		
A	DG09-0106	WD	04/08/09		0.XX ±0.25		projection				
					0.XXX ±0.1		 product family PwrBlade code 213				
				angles	0° ±2°		scale		size		
				dr	Warren Du	03/12/09	1:1		dwg no		
				enr	Warren Du	03/12/09			51952-146		
				chr	PM ZHENG	03/12/09			sheet		
				appd	JOSEPH HSIA	03/12/09			1 of 4		
sheet index	revision sheet	A	A	A	A				cage code		
		1	2	3	4				22526		

Pro/E

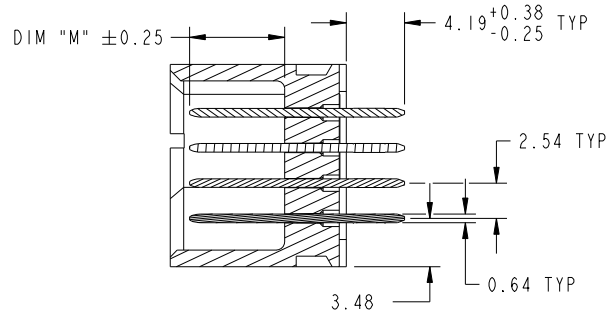
cage code 22526

Tous droits strictement reserves. Reproduction ou communication a des tiers interdite sous quelque forme que ce soit sans autorisation ecrite du proprietaire. Propriete de c FCI. Droits de reproduction FCI.

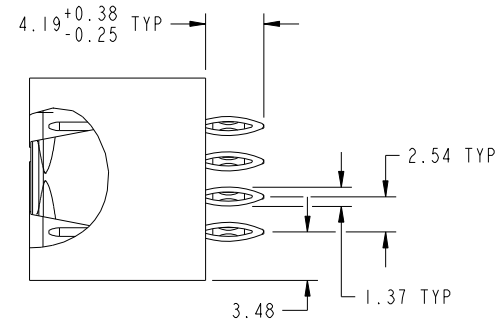
All rights strictly reserved. Reproduction or issue to third parties in any form whatever is not permitted without written authority from the proprietor. Property of FCI. Copyright FCI.



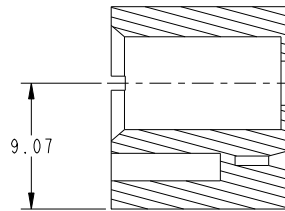
PRODUCT NUMBER  
51952-146\_\_  
NOTE 3



SECTION A-A  
SCALE 2:1



SECTION B-B  
SCALE 2:1



SECTION C-C  
SCALE 2:1

mat'l code				tolerances unless otherwise specified			CUSTOMER		FCI		
ltr	ecn no.	dr	date	linear	0.X ±0.5	projection		www.fciconnect.com			
A					0.XX ±0.25			title		4S + 8ACP	
					0.XXX ±0.1			VERTICAL PRESS-FIT HEADER			
				angles	0° ±2°		scale	product family		code	
				dr	Warren Du 03/12/09			PwrBlade		213	
				enr	Warren Du 03/12/09			size	dwg no	sheet	
				chr	PM ZHENG 03/12/09			A	51952-146	2 of 4	
				appd	JOSEPH HSIA 03/12/09	1:1					
sheet index	revision sheet							cage code			

Pro/E

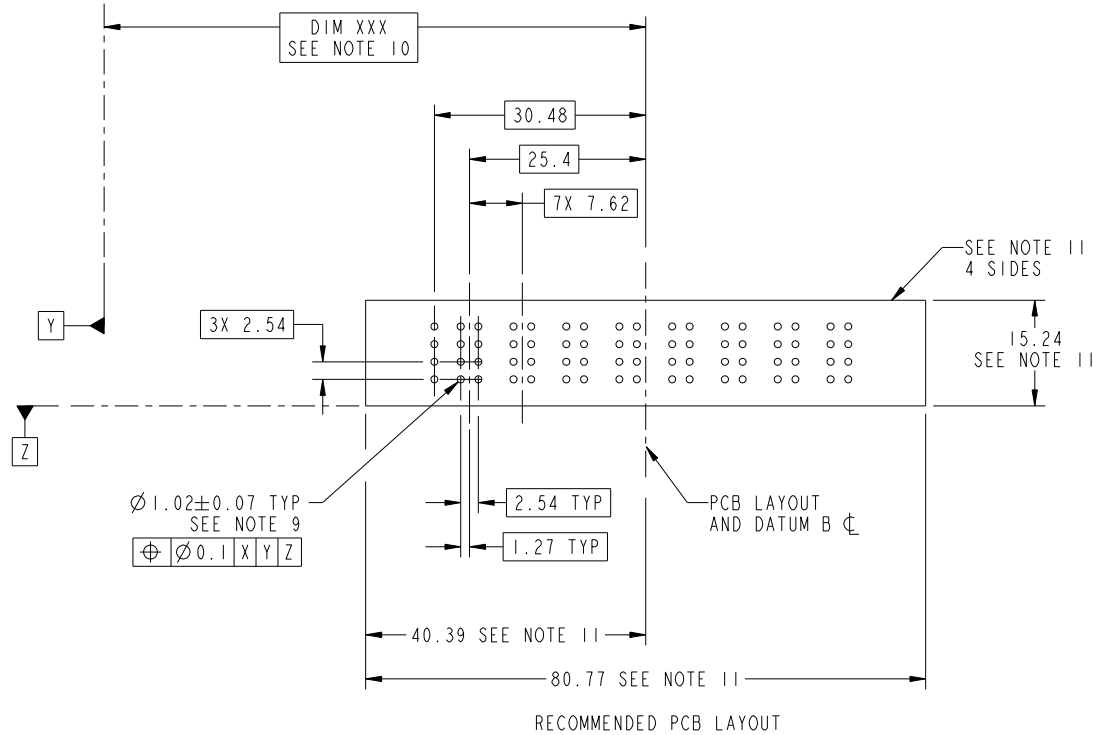
cage code 22526

Tous droits strictement reserves. Reproduction ou communication a des tiers interdite sous quelque forme que ce soit sans autorisation écrite du propriétaire. Propriete de c FCI. Droits de reproduction FCI.



All rights strictly reserved. Reproduction or issue to third parties in any form whatever is not permitted without written authority from the proprietor. Property of FCI. Copyright FCI.

PRODUCT NUMBER  
51952-146\_\_  
NOTE 3



mat'l code				tolerances unless otherwise specified		CUSTOMER		FCI	
ltr	ecn no.	dr	date	linear	0.X ±0.5	COPY		www.fciconnect.com	
A					0.XX ±0.25	projection		title	
				angles	0.XXX ±0.1			4S + 8ACP VERTICAL PRESS-FIT HEADER	
				dr	Warren Du 03/12/09	MIM		product family PwrBlade code	
				enrg	Warren Du 03/12/09			size 213	
				chr	PM ZHENG 03/12/09	scale		dwg no 51952-146	
				appd	JOSEPH HSIA 03/12/09	1:1		sheet 3 of 4	
sheet index	revision sheet								

cage code 22526

Pro/E

Tous droits strictement reserves. Reproduction ou communication a des tiers interdite sous quelque forme que ce soit sans autorisation écrite du propriétaire. Propriete de c FCI. Droits de reproduction FCI.

All rights strictly reserved. Reproduction or issue to third parties in any form whatever is not permitted without written authority from the proprietor. Property of FCI. Copyright FCI.



PRODUCT NUMBER  
51952-146--  
NOTE 3

NOTES:

1. DIMENSIONS AND TOLERANCES ARE IN ACCORDANCE WITH ASME Y14.5M, 1994 UNLESS OTHERWISE SPECIFIED.

CONNECTOR NOTES:

- 2 HOUSING MATERIAL: UL 94 V-0 GLASS FILLED HIGH-TEMP THERMOPLASTIC  
POWER CONTACT MATERIAL: COPPER ALLOY  
SIGNAL PIN MATERIAL: COPPER ALLOY
  - 3. SEE ITEM 3 & 4 IN PRINT 10064183 FOR PLATING SPEC OF 51952-146 AND 51952-146LF RESPECTIVELY.
  - 4 MANUFACTURER'S NAME, P/N, AND DATE CODE TO APPEAR ON THIS SURFACE.
  - 5. PRODUCT SPECIFICATION GS-12-149.  
APPLICATION SPECIFICATION BUS-20-067.
  - 6. PACKAGED IN TRAYS.
- PCB NOTES:
- 7. ALL HOLE DIAMETERS ARE FINISHED HOLE SIZE.
  - 8. MOUNTING HOLES, WHERE APPLICABLE, ARE UNPLATED.

- 9  $\varnothing 1.151 \pm 0.025$  DRILLED HOLES PLATED WITH  
0.008 MIN SnPb OR Sn OVER .001 [0.03]  
TO 0.08 Cu PLATING TO ACHIEVE  
 $\varnothing 1.02 \pm 0.07$  HOLE.
- 10 "DIM XXX" TO BE DETERMINED BY THE CUSTOMER.
- 11 CONNECTOR KEEP-OUT ZONE.
- 12. FOR PRESS FIT APPLICATION USE FCI CAM TOOL 430169-XXX.

mat'l code				tolerances unless otherwise specified		CUSTOMER		FCI	
ltr	ecn no.	dr	date	linear	0.X ± 0.5	COPY		www.fciconnect.com	
A				linear	0.XX ± 0.25	projection		title	
				angles	0.XXX ± 0.1			4S + 8ACP VERTICAL PRESS-FIT HEADER	
				dr	0° + 2°			product family PwrBlade code	
				enr	Warren Du 03/12/09	scale		size	
				enr	Warren Du 03/12/09	1:1		dwg no	
				chr	PM ZHENG 03/12/09	A		51952-146	
				appd	JOSEPH HSIA 03/12/09			sheet	
sheet index		revision sheet						4 of 4	

cage code 22526