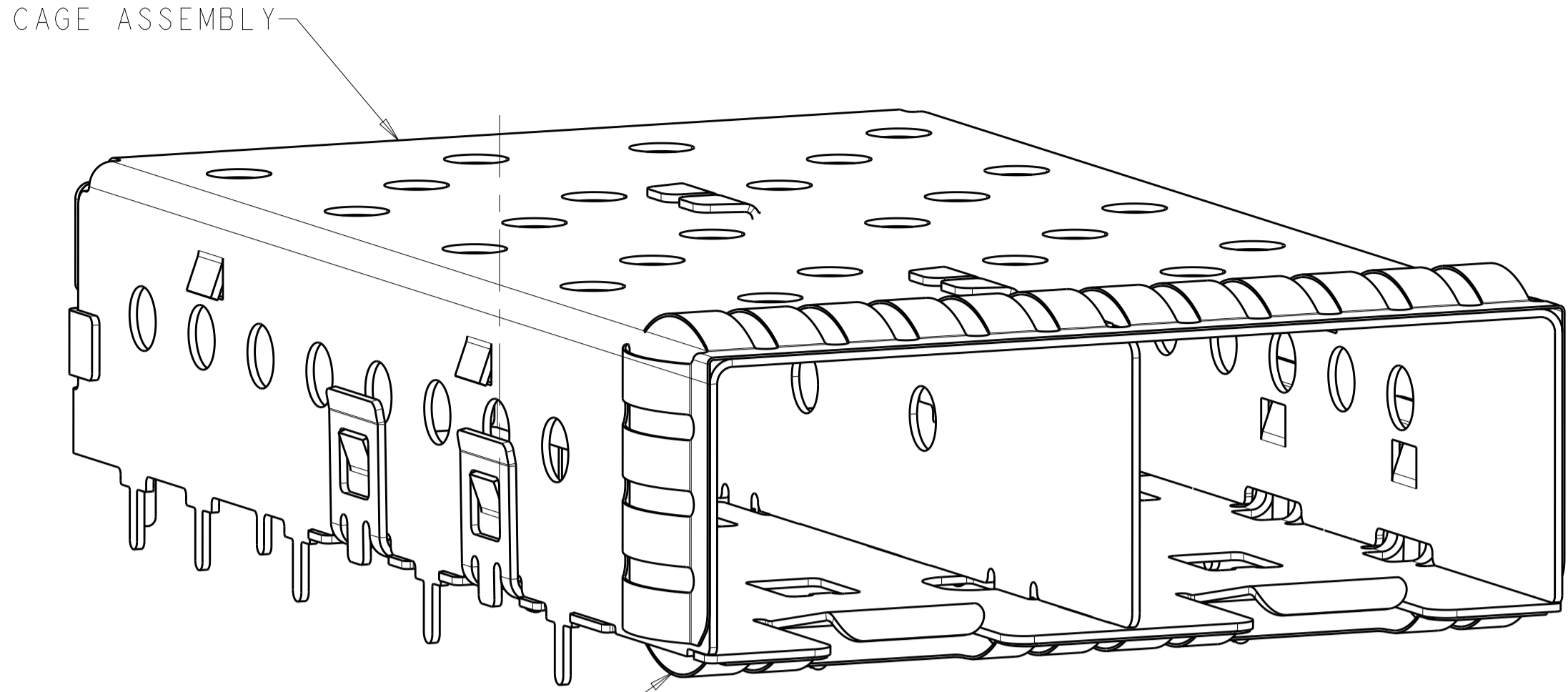


LOC	DIST	REVISIONS					
		P	LTN	DESCRIPTION	DATE	DWN	APVD
GP	00	A		RELEASED	26FEB2016	JW	SH

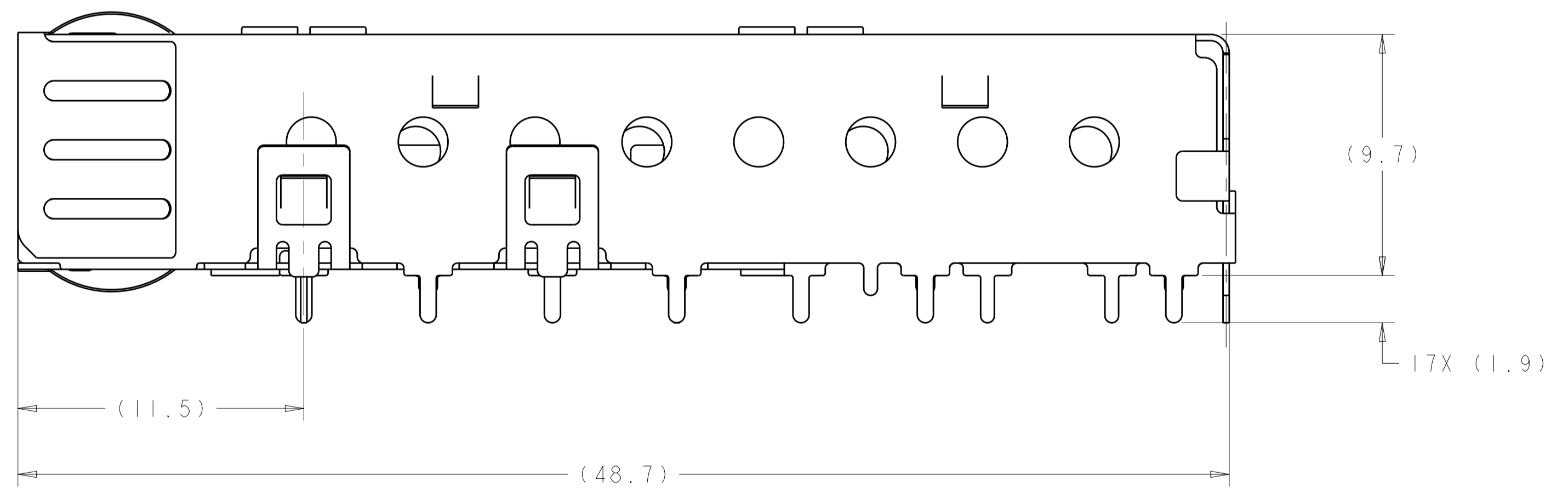
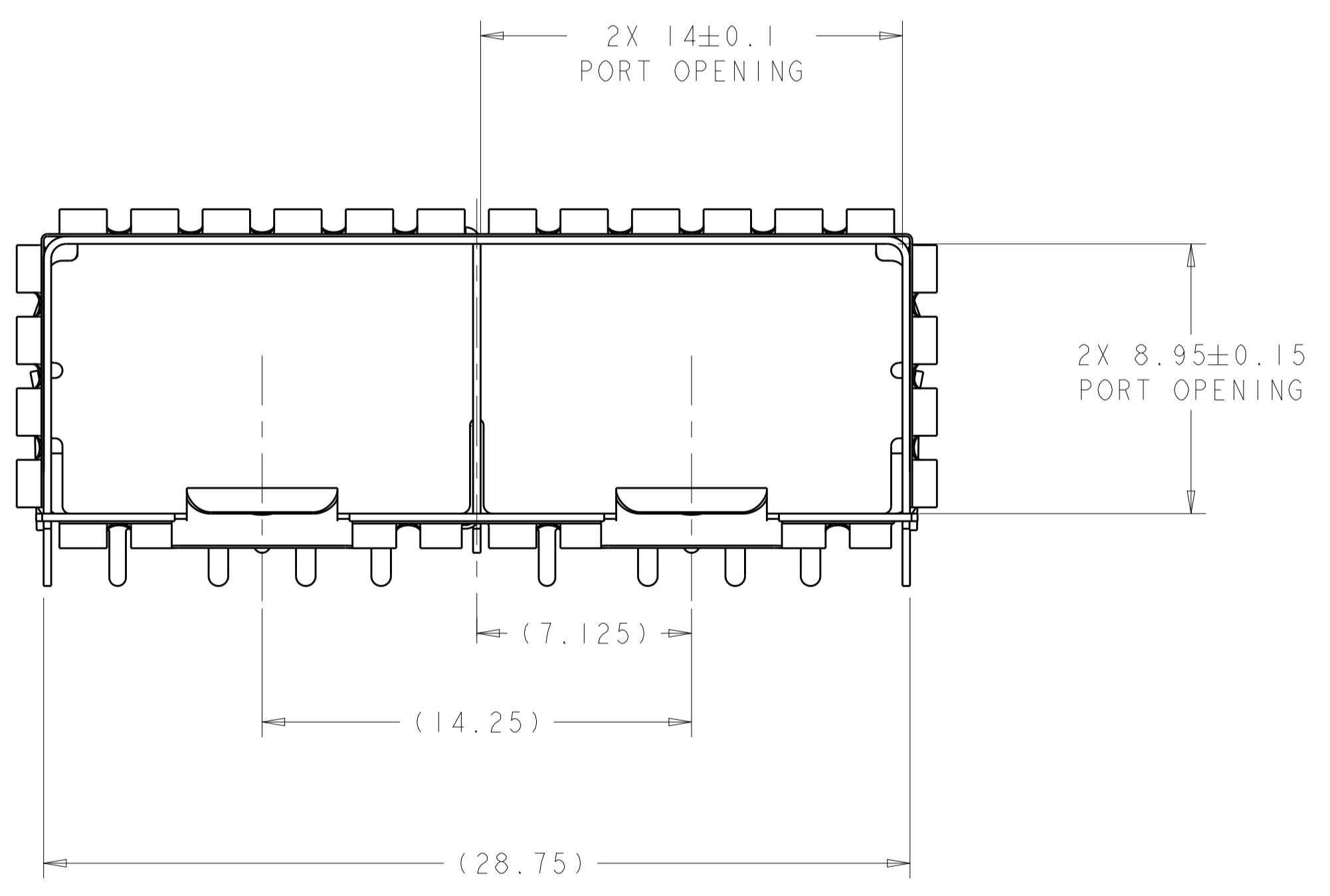


CAGE ASSEMBLY

EMI SPRINGS

2143451-1 OR 2
FINISHED ASSEMBLY

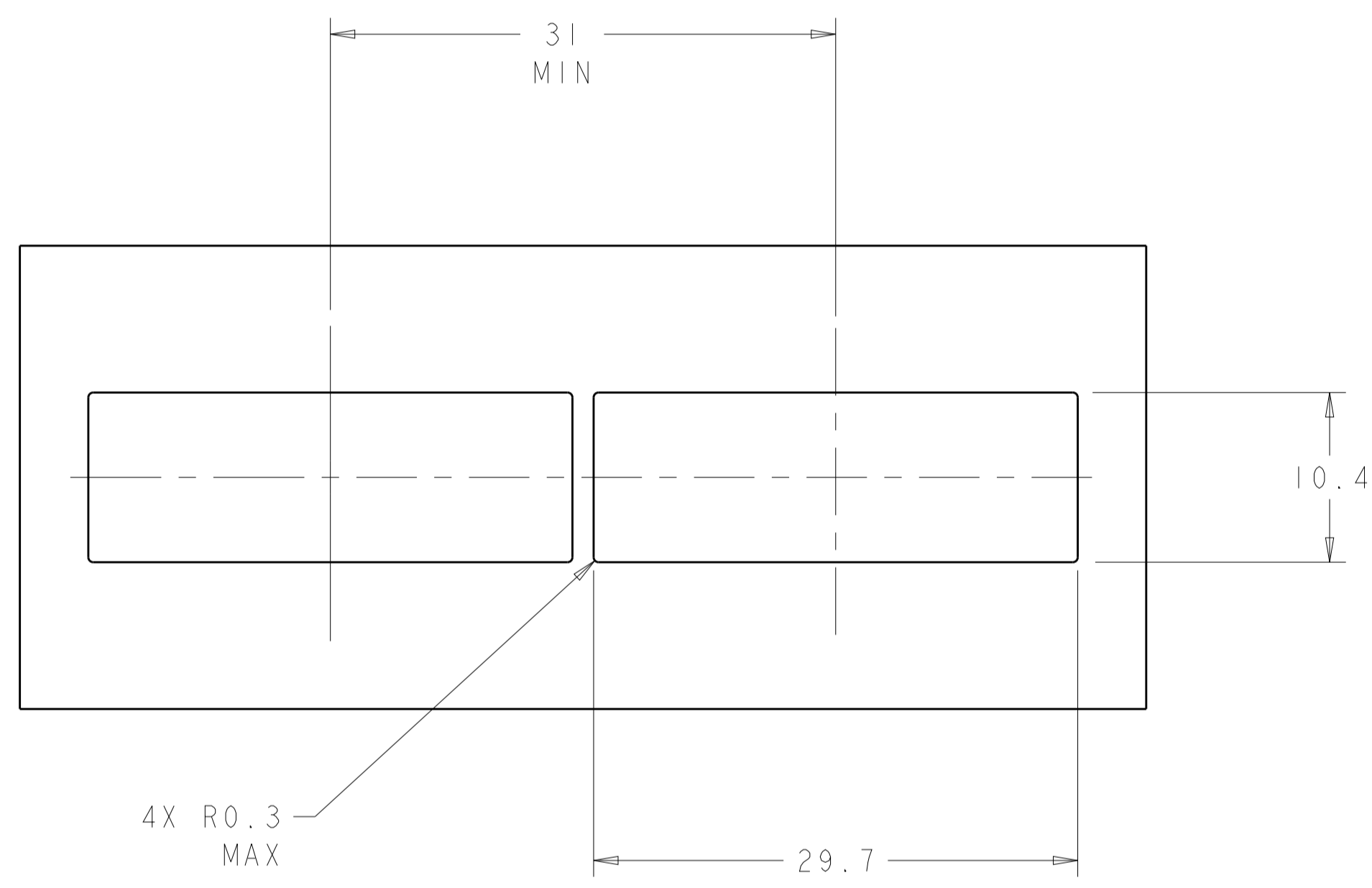
- 1. MATERIAL: CAGE ASSEMBLY: 0.25mm THICK NICKEL SILVER ALLOY
EMI SPRINGS: COPPER ALLOY
- 2. FINISH:
SPRINGS - MINIMUM OF 0.8um MATTE TIN PLATED OVER A MINIMUM OF 0.8um NICKEL UNDERPLATE.
NON-PLATED EDGES PERMISSIBLE.
- 3. MATES WITH SFP MSA COMPLIANT TRANSCEIVERS.
- 4. PADS AND VIAS CHASSIS GROUND.
- 5. INTERPRETATION OF DATUM REFERENCE FRAME IN ACCORDANCE WITH SECT 4.4.1.1 OF ASME Y14.5M-1994.
- 6. MINIMUM PC BOARD THICKNESS: 1.50
- 7. HOLE PATTERN REPEATS FOR EACH PORT, SPACING BETWEEN PORTS IS 14.25mm.
- 8. DATUM AND BASIC DIMENSION ESTABLISHED BY CUSTOMER.
- 9. CERTAIN MATING TRANSCEIVERS MAY REQUIRE ADDITIONAL PCB THICKNESS THAT WOULD NEED TO BE DETERMINED BY THE CUSTOMER.
- 10. PRODUCT COMPLIES WITH SPECIFICATION SFF-8433 IMPROVED PLUGGABLE FORM FACTOR FOR SFP+ GANGED CAGES.



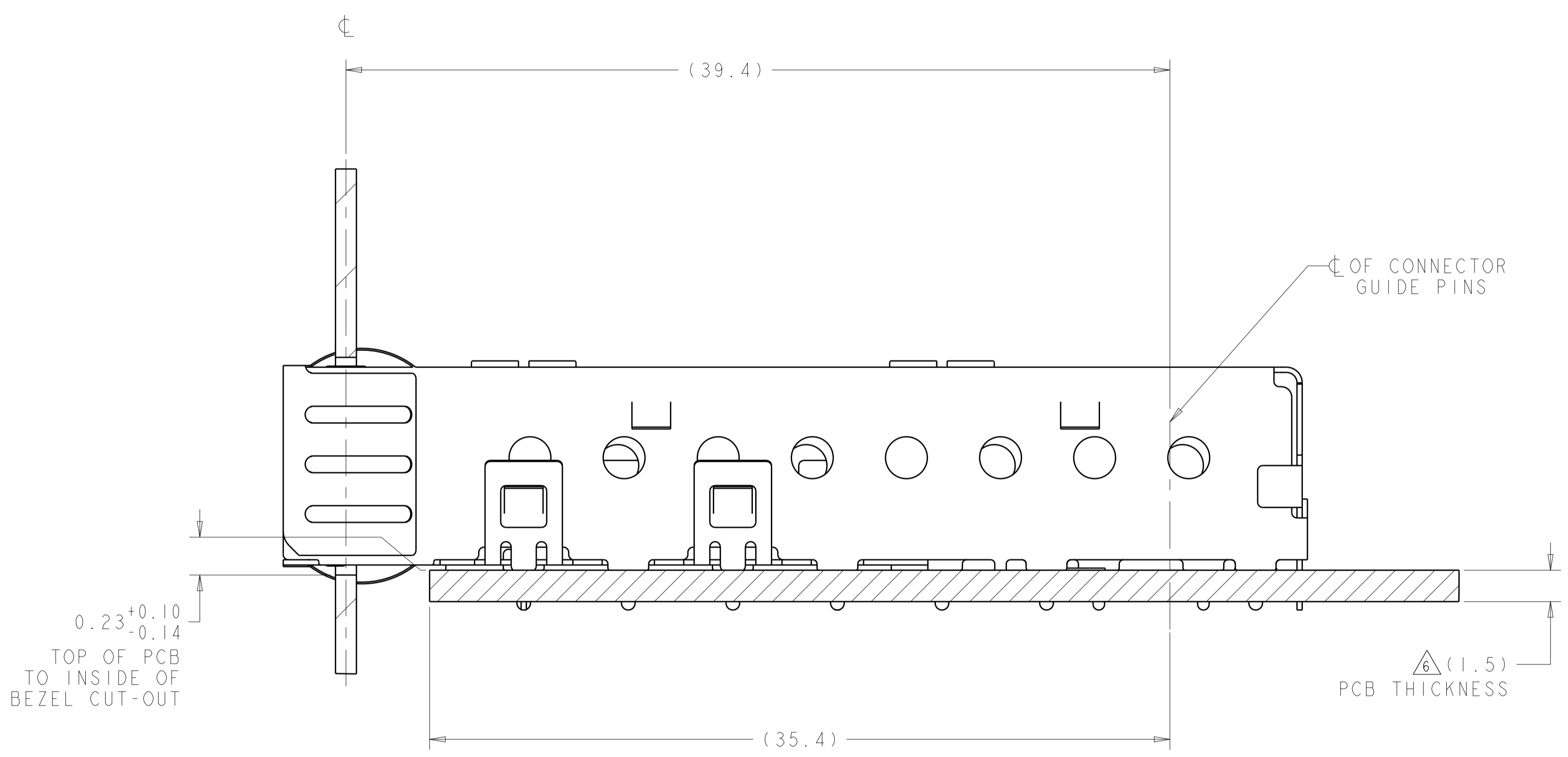
TAPE AND REEL	2143451-2
TRAY	2143451-1
PACKAGING METHOD	PART NUMBER

THIS DRAWING IS A CONTROLLED DOCUMENT.		DWN C. VALENTINE 14APR2010	TE Connectivity
DIMENSIONS: mm		CHK J. PETERSON 14APR2010	
TOLERANCES UNLESS OTHERWISE SPECIFIED:		APVD J. PETERSON 14APR2010	NAME SFP+ 1X2 CAGE ASSEMBLY SOLDER TAIL, EXTERNAL EMI SPRINGS
0 PLC ±0.1	1 PLC ±0.1	PRODUCT SPEC	SIZE CAGE CODE DRAWING NO
2 PLC ±0.1	3 PLC ±0.1	108-2364	RESTRICTED TO
4 PLC ±0.1	ANGLES ±0.1	APPLICATION SPEC	A100779C=2143451
MATERIAL	FINISH	114-13120	SCALE 6:1 SHEET 1 OF 3 REV A
		WEIGHT	CUSTOMER DRAWING

LOC	DIST	REVISIONS			
P	LTN	DESCRIPTION	DATE	DMN	APVD
-	-	SEE SHEET 1	-	-	-



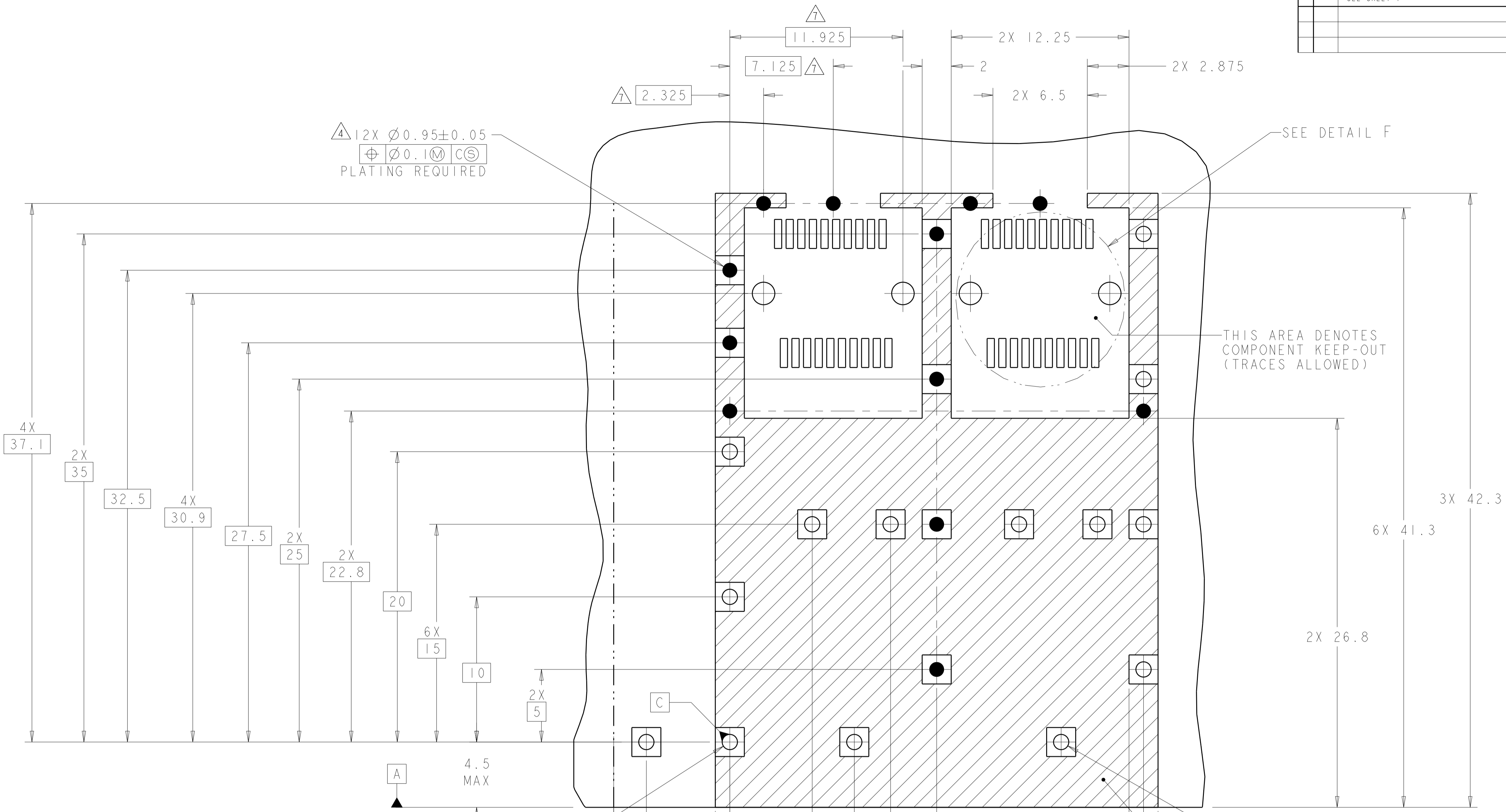
RECOMMENDED BEZEL CUT-OUT
 SINGLE SIDED APPLICATIONS
 SCALE 3:1



2143451-1 OR 2
 MOUNTED ON PC BOARD
 SHOWN THRU RECOMMENDED BEZEL

THIS DRAWING IS A CONTROLLED DOCUMENT.		DMN C. VALENTINE 14APR2010	TE Connectivity NAME SFP+ 1X2 CAGE ASSEMBLY SOLDER TAIL, EXTERNAL EMI SPRINGS	
DIMENSIONS:		CHK J. PETERSON 14APR2010		
mm	TOLERANCES UNLESS OTHERWISE SPECIFIED:	APVD J. PETERSON 14APR2010	PRODUCT SPEC	RESTRICTED TO
	0 PLC ±0.1 1 PLC ±0.1 2 PLC ±0.1 3 PLC ±0.1 4 PLC ±0.1 ANGLES ±1°	APPLICATION SPEC	SIZE A100779C=2143451	SCALE 6:1 SHEET 2 OF 3 REV A
MATERIAL	FINISH	WEIGHT	CUSTOMER DRAWING	

LOC		DIST		REVISIONS			
GP	00	P	LYN	DESCRIPTION	DATE	OWN	APVD
				SEE SHEET 1			



4X 12X $\varnothing 0.95 \pm 0.05$
 $\oplus \varnothing 0.1 \text{M} \text{CS}$
 PLATING REQUIRED

SEE DETAIL F

THIS AREA DENOTES
 COMPONENT KEEP-OUT
 (TRACES ALLOWED)

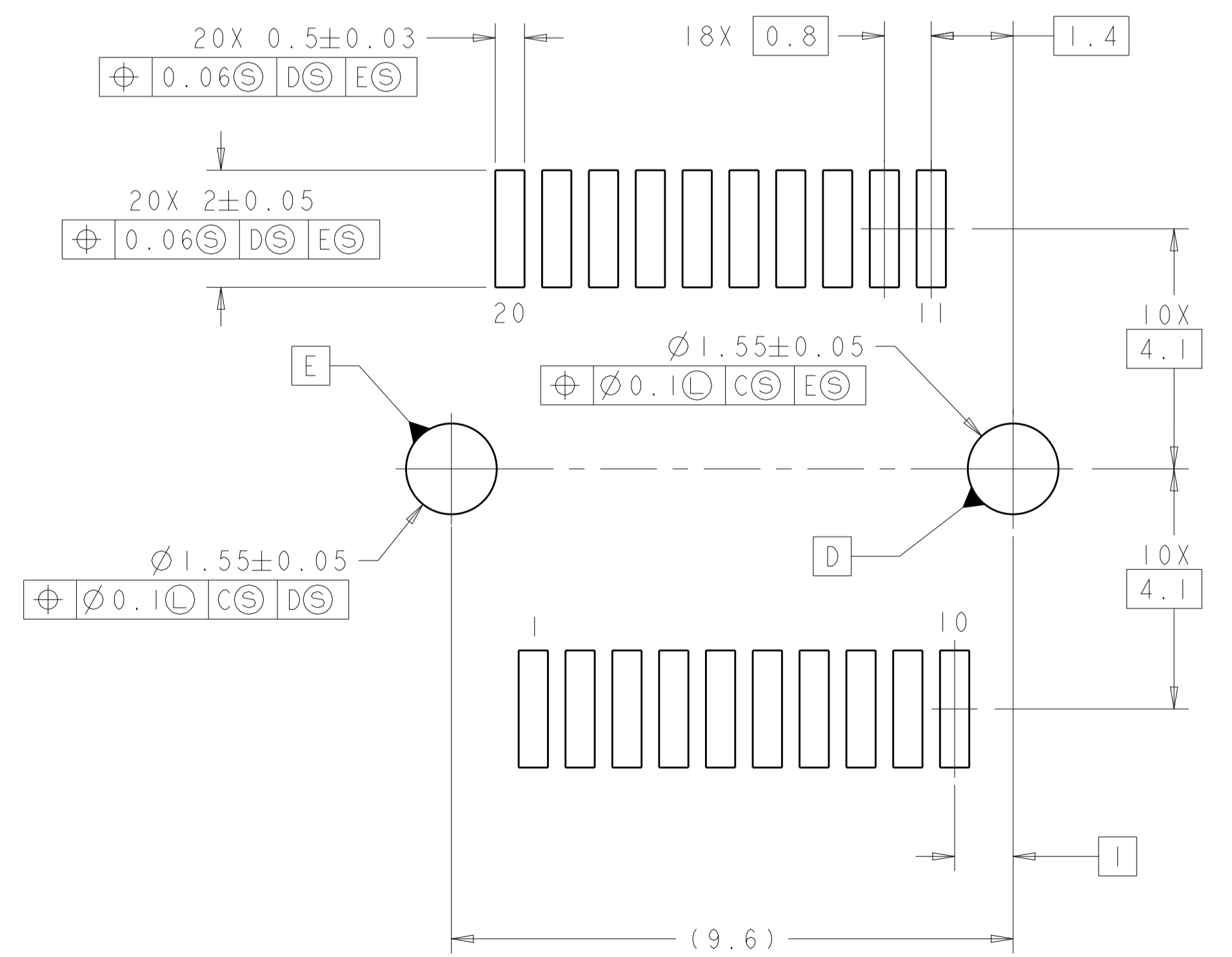
12X $\varnothing 1.05 \pm 0.05$
 $\oplus \varnothing 0.1 \text{M} \text{CS}$
 PLATING REQUIRED

CROSS-HATCHED AREA DENOTES
 COMPONENT AND TRACE KEEP-OUT
 (EXCEPT CHASSIS GROUND)

4X $\varnothing 1.05 \pm 0.05$
 $\oplus \varnothing 0.1 \text{S} \text{A} \text{B}$
 PLATING REQUIRED

DETAIL F
 RECOMMENDED PT CONNECTOR LAYOUT
 2X INDIVIDUALLY
 SCALE 12:1

RECOMMENDED PCB CONFIGURATION
 WITH KEEP-OUT AREAS
 SINGLE SIDED APPLICATIONS



THIS DRAWING IS A CONTROLLED DOCUMENT.		OWN	C. VALENTINE	14APR2010
		CHK	J. PETERSON	14APR2010
		APVD	J. PETERSON	14APR2010
DIMENSIONS:		TOLERANCES UNLESS OTHERWISE SPECIFIED:		
mm		0 PLC	±0.1	
		1 PLC	±0.1	
		2 PLC	±0.1	
		3 PLC	±0.1	
		4 PLC	±0.1	
		ANGLES	±1°	
MATERIAL		FINISH		
CUSTOMER DRAWING		WEIGHT	114-13120	
SCALE		6:1		
SHEET		3 OF 3		
REV		A		

STE TE Connectivity

NAME: SFP+ 1X2 CAGE ASSEMBLY
 SOLDER TAIL, EXTERNAL EMI SPRINGS

SIZE: 108-2364
 APPLICATION SPEC

SIZE: CAGE CODE DRAWING NO: A100779
 DRAWING NO: C=2143451

RESTRICTED TO: -