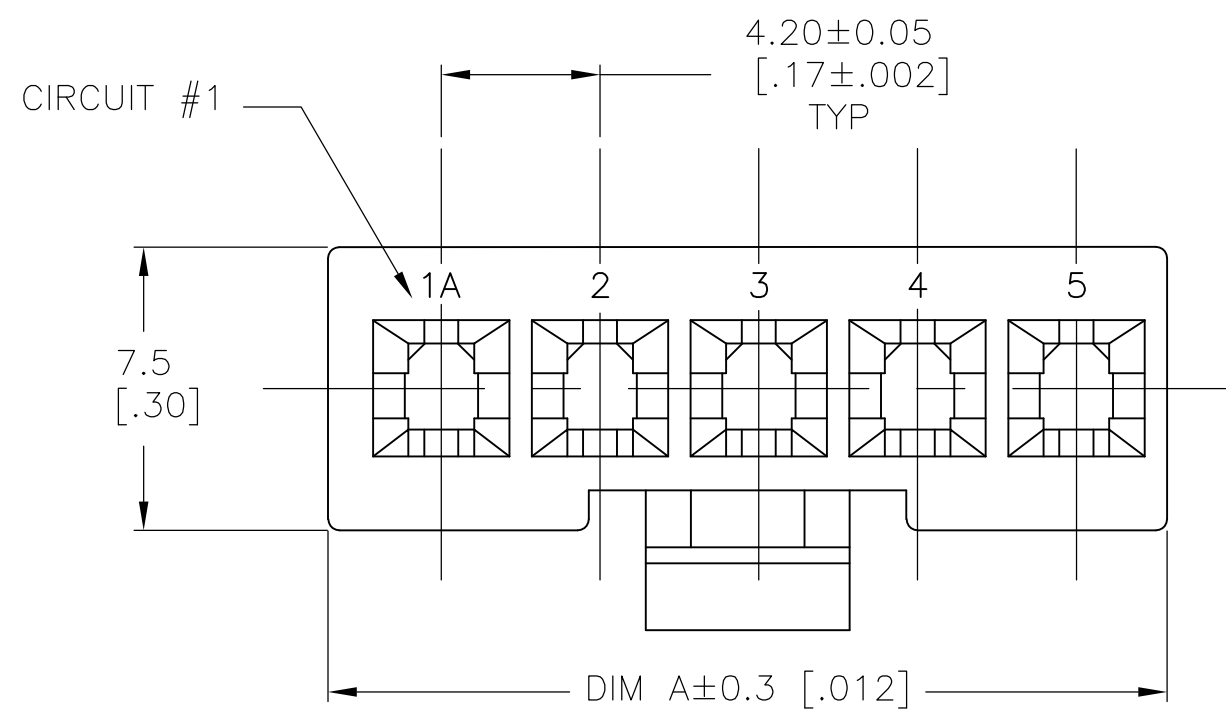
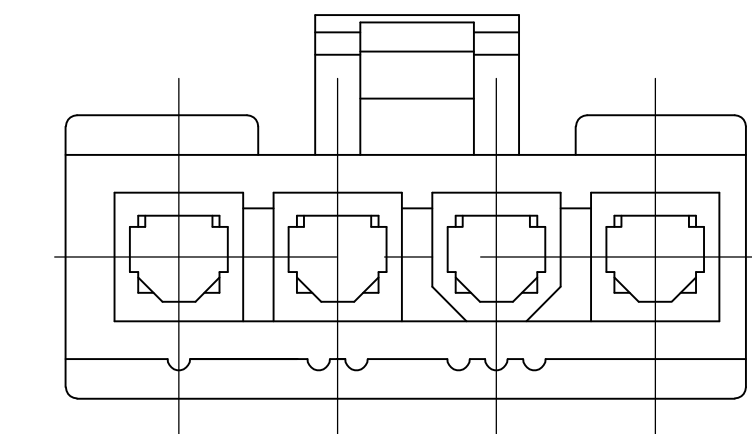
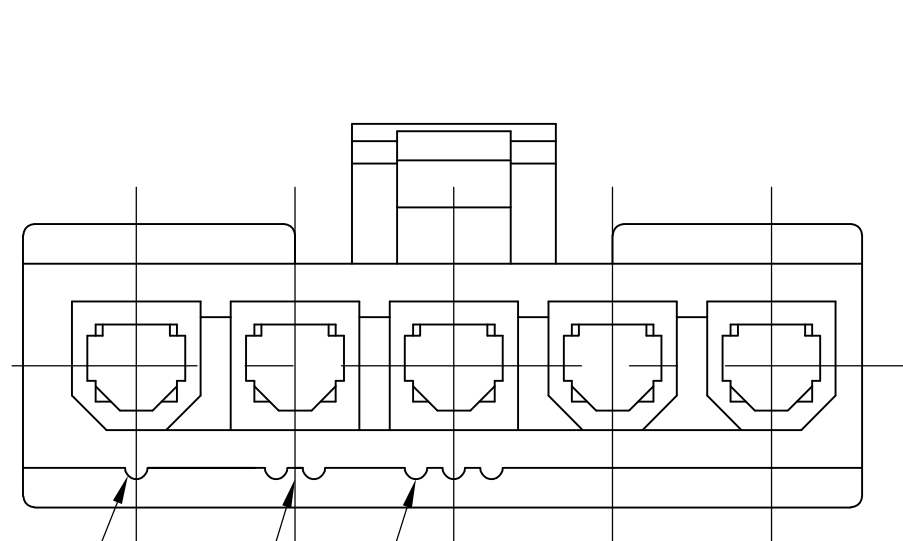
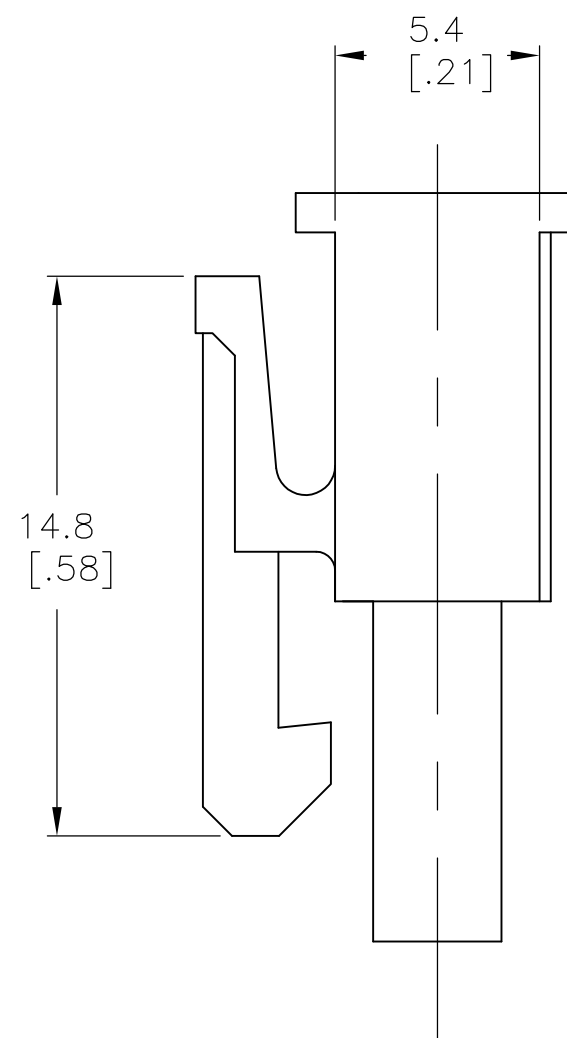
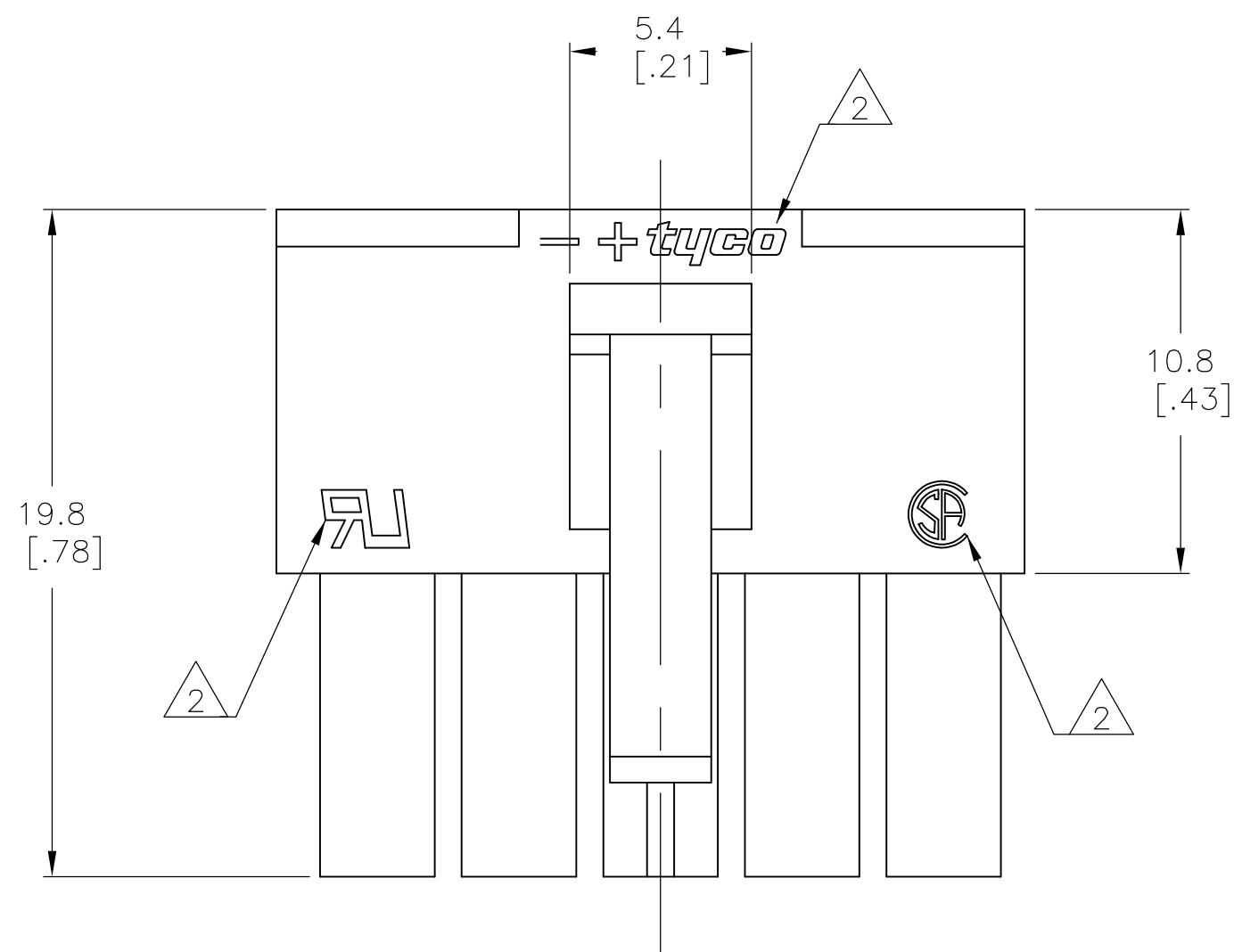


THIS DRAWING IS UNPUBLISHED. RELEASED FOR PUBLICATION  
 © COPYRIGHT BY TYCO ELECTRONICS CORPORATION. ALL INTERNATIONAL RIGHTS RESERVED.

LOC		DIST		REVISIONS			
P	LTR	DESCRIPTION	DATE	DWN	APVD		
CM	00	E	REVISED PER ECO-08-031188	06JAN09	HMR	CC	



- 1 MATERIAL : NYLON 66 UL94V-0
- 2 TE LOGO, UL LOGO, AND CSA LOGO-SIZE, LOCATION, AND ORIENTATION OPTIONAL.



4 POSITION MATING FACE  
(FOR POLARIZATION IDENTIFICATION)

SUPERCEDED BY 2029208-4	BLACK	18.0 [.71]	4	1-1586027-9
	WHITE	22.2 [.87]	5	1586027-5
	WHITE	18.0 [.71]	4	1586027-4
	COLOR	DIM A	POS	PART NUMBER

THIS DRAWING IS A CONTROLLED DOCUMENT.		DWN	K.WHITAKER	09DEC03	Tyco Electronics Corporation Harrisburg, PA 17105-3608
DIMENSIONS:		CHK	D. COLEY	09DEC03	
mm [INCHES]		APVD	D. COLEY	09DEC03	
TOLERANCES UNLESS OTHERWISE SPECIFIED:		PRODUCT SPEC			
0 PLC	± -	APPLICATION SPEC			NAME
1 PLC	± 0.2 [.01]				RECEPTACLE, SINGLE ROW, VAL-U-LOK(TM)
2 PLC	± -				SIZE
3 PLC	± -				CAGE CODE
4 PLC	± -				DRAWING NO
ANGLES	± -				RESTRICTED TO
MATERIAL		WEIGHT			A2
		CUSTOMER DRAWING			00779
					SCALE
					5:1
					SHEET
					1 of 1
					REV
					E

**METRIC**