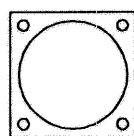
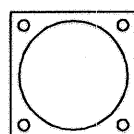


ACCESSORIES

(NOT PART OF STANDARD ASSEMBLY)

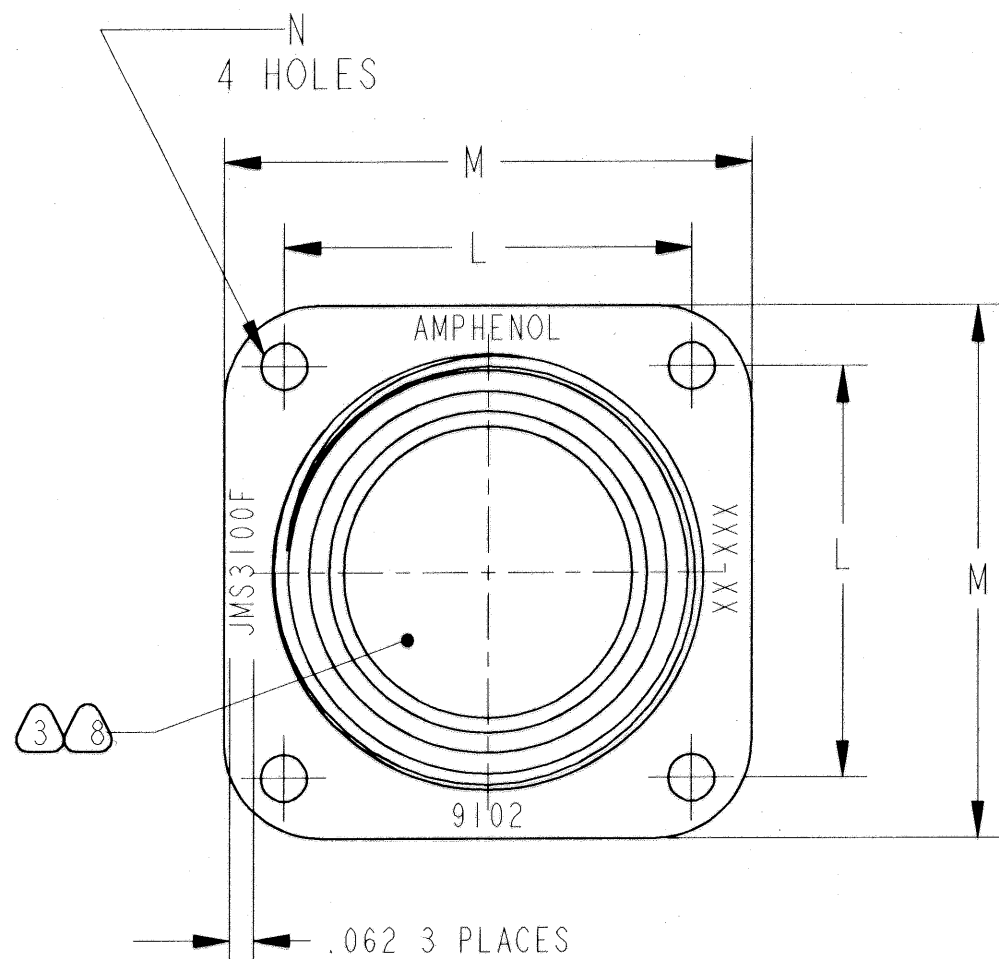


FLANGE GASKET,
PLAIN
10-40450-(SHELL SIZE)



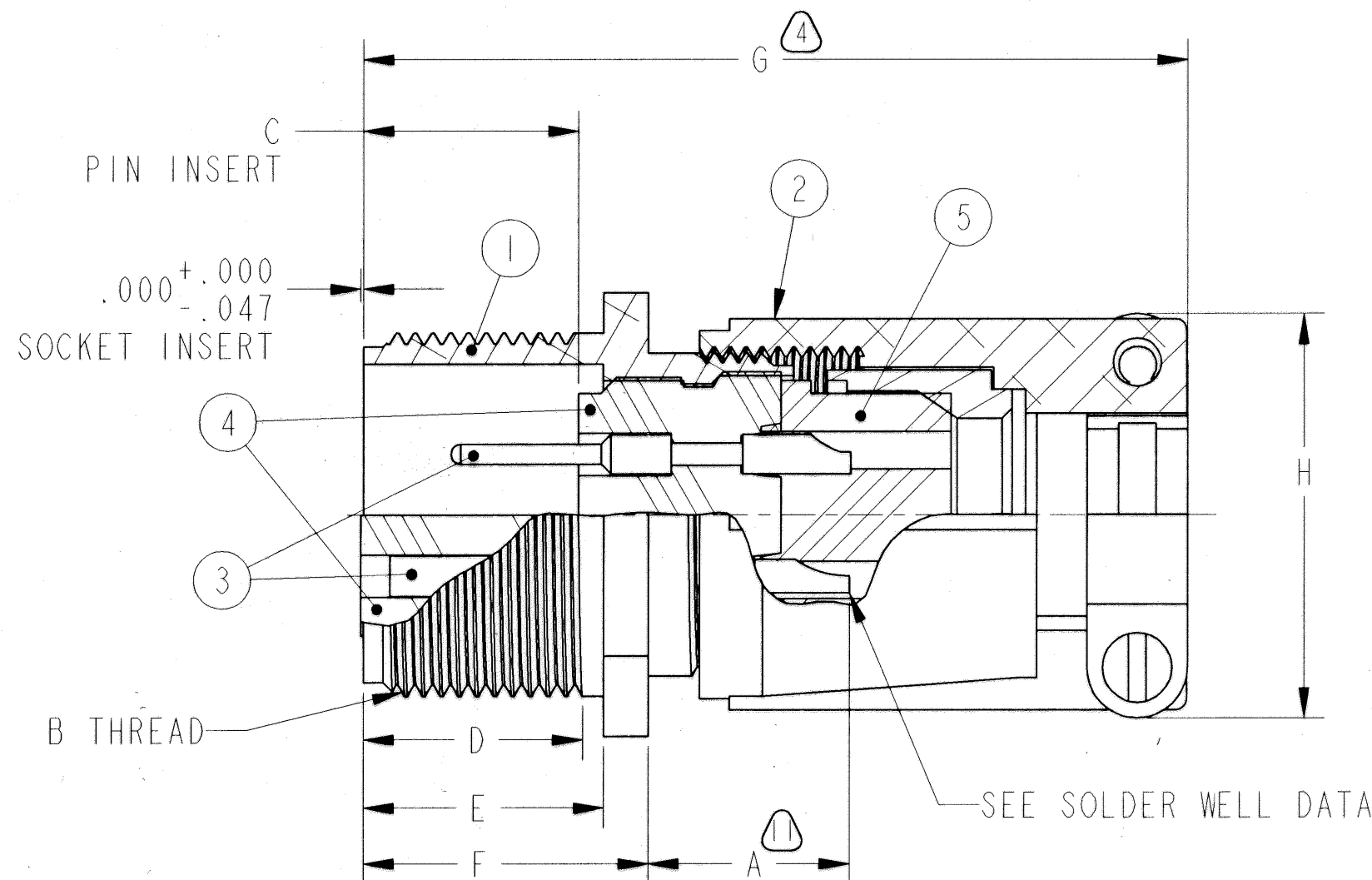
FLANGE GASKET,
SHIELDING
10-40450-(SHELL SIZE)

51536-58		REVISIONS	
LTR	DESCRIPTION	DATE	APPVD
C	(CL 11) SEE OBSOLETE RECORD DRAWING. REDESIGNED AND REDRAWN SAME SIZE SEE ECN: 83983	1-1-98	GJO
D	(CL 11) SEE ECN 91394	01/02	J. Basem



5 BLACK INK STAMP "AMPHENOL",
DATE CODE(9-3895) AND MS NUMBER
PER 9-2811
EXAMPLE:
AMPHENOL 9102 JMS3100F20-12P

CONTACT DATA (WHERE APPLICABLE)	
THERMOCOUPLE	
MATERIAL	IDENTIFICATION
CHROMEL	WHITE
ALUMEL	GREEN
IRON	BLACK
CONSTANTAN	YELLOW
INSERT ARRANGEMENTS CONTAINING THERMOCOUPLE CONTACTS MUST HAVE SUCH CONTACTS ASSEMBLED INTO THE INSERT IN PROPER LOCATIONS AS SPECIFIED BY APPLICABLE DRAWINGS MS33683-13 OR MS33684-15	



	SOLDER WELL DATA					THERMOCOUPLE	
CONTACT SIZE	0	4	8	12	16	12	16
WELL DIA	.469 ^{+.005} _{-.003}	.332 ^{+.005} _{-.003}	.209 ^{+.004} _{-.002}	.116 ^{+.004} _{-.002}	.078 ^{+.004} _{-.002}	.125 ^{+.004} _{-.002}	.094 ^{+.004} _{-.002}
WELL DEPTH	.031 ⁺ _{-.000}	.625	.500	.375	.250	.250	.188

POS	QTY	PART NUMBER	DESCRIPTION	NOTE
5	1	SEE COLUMN	GROMMET	
4	1	SEE COLUMN	INSERT	
3		SEE NOTE 12	CONTACTS	
2	1	SEE COLUMN	BACKSHELL KIT	
1	1	SEE COLUMN	SHELL	

UNLESS OTHERWISE SPECIFIED	SPECIFICATIONS	PARTS LIST	
LINEAR DIMENSIONS ARE IN INCHES TOLERANCES: .XXXX = ±.0005 .XXX = ±.010 .XX = ±.03 .X = ±.1 ANGLES = ±2° OTHER STANDARDS PER 9-3800 AND DOD-D-1000 THIRD ANGLE PROJECTION	MATERIAL SPEC. N/A	APPROVALS PREPARED: WHITNEY CHECKED: MENDEOLA MATERIAL: APPROVED: R. W. TYLER W. M. HARRISON	DATE 11-4-69 11-18-69 11-6-69 11-19-69
	PROCESS SPEC. TEST: 9-3106-1 ASSY: 9-3238-1	AMPHENOL CORPORATION S10NEY, N.Y. 13838-1395 CONNECTOR, ELECTRICAL RECEPTACLE, TYPE MS3100F	
	9-2437, 9-2811, 9-3895	PRO/ENG INFORMATION 10_474008_050.ASSEM 10_474008_050	SIZE: C FSCM NO.: 77820 DOCUMENT NO.: 10-474008 THRU 10-474050 SCALE: NONE REF: 10-329800/19 SHEET 1 OF 2
			REV: D

SEE SHEET 2.

NOTES:

THE USE OF THIS DOCUMENT IS UNLIMITED. HOWEVER, DOCUMENTS REFERENCED HEREON MAY CONTAIN LIMITED RIGHTS DATA.

COMPANY ID: 4	CODED/MS/CUST: Y	N/A
INTERNAL: N	LOT NO: N	
DATE CODE: 9-3895	SEE DRAW: N	N/A
STAMPING DATA		NEXT ASSEMBLY

FAMCODES DATA3:ANS MNS CICS:

10-474008/050

DOC NO

SH

1 OF 2

A

TAB.

ASSEMBLY NUMBER	MS NUMBER	15 INSERT	15 GROMMET	SHELL	BACKSHELL KIT	A +.050 -.060	B THREAD CLASS 2A (PLATED)	C ±.031	D MIN FULL THREAD	E +.010 -.000	F +.020 -.010	G MAX	H MAX	L ±.005	M	N DIA +.004 -.002
10-474008-()	3100F- 8S -()	NOT AVAILABLE														
10-474010-()	3100F-10S -()	NOT AVAILABLE														
10-474011-()	3100F-10SL-()	10-74811-()	10-60711-()	10-37260-11	10-584182-113	.422	.6250-24 UNEF	.484	.391	.562	.672	2.192	.896	.719	1.000	.120
10-474012-()	3100F-12S -()	10-74812-()	10-60712-()	10-37260-12	10-584182-113	.422	.7500-20 UNEF	.484	.450	.562	.672	2.192	.896	.812	1.094	.120
10-474013-()	3100F- 12 -()	10-74813-()	10-60713-()	10-37260-13	10-584182-113	.672	.7500-20 UNEF	.672	.625	.750	.860	2.536	.896	.812	1.094	.120
10-474014-()	3100F-14S -()	10-74814-()	10-60714-()	10-37260-14	10-584185-143	.422	.8750-20 UNEF	.484	.450	.562	.672	2.192	1.021	.906	1.188	.120
10-474015-()	3100F- 14 -()	10-74815-()	10-60715-()	10-37260-15	10-584185-143	.672	.8750-20 UNEF	.672	.625	.750	.860	2.536	1.021	.906	1.188	.120
10-474016-()	3100F-16S -()	10-74816-()	10-60716-()	10-37260-16	10-584187-163	.422	1.0000-20 UNEF	.484	.450	.562	.672	2.192	1.151	.969	1.281	.120
10-474017-()	3100F- 16 -()	10-74817-()	10-60717-()	10-37260-17	10-584188-173	.672	1.0000-20 UNEF	.672	.625	.750	.860	2.536	1.151	.969	1.281	.120
10-474018-()	3100F- 18 -()	10-74818-()	10-60718-()	10-37260-18	10-584189-183	.641	1.1250-18 UNEF	.672	.625	.750	.891	2.661	1.242	1.062	1.375	.120
10-474020-()	3100F- 20 -()	10-74820-()	10-60720-()	10-37260-20	10-584190-203	.641	1.2500-18 UNEF	.672	.625	.750	.891	2.661	1.499	1.156	1.500	.120
10-474022-()	3100F- 22 -()	10-74822-()	10-60722-()	10-37260-22	10-584191-223	.641	1.3750-18 UNEF	.672	.625	.750	.891	2.661	1.499	1.250	1.625	.120
10-474024-()	3100F- 24 -()	10-74824-()	10-60724-()	10-37260-24	10-584192-243	.578	1.5000-18 UNEF	.672	.625	.812	.953	2.739	1.781	1.375	1.750	.147
10-474028-()	3100F- 28 -()	10-74828-()	10-60728-()	10-37260-28	10-584193-283	.578	1.7500-18 UNS	.672	.625	.812	.953	2.739	1.781	1.562	2.000	.147
10-474032-()	3100F- 32 -()	10-74832-()	10-60732-()	10-37260-32	10-584194-323	.500	2.0000-18 UNS	.672	.625	.875	1.031	3.128	2.087	1.750	2.250	.173
10-474036-()	3100F- 36 -()	10-74836-()	10-60736-()	10-37260-36	10-584195-363	.500	2.2500-16 UN	.672	.625	.875	1.031	3.128	2.281	1.938	2.500	.173
10-474040-()	3100F- 40 -()	SEE INDIVIDUAL DRAWING														
10-474041/50		NOT AVAILABLE														

6

- NOTES:**
- SHIP CONNECTOR WITH SEALING PLUGS UNASSEMBLED.
 - PACKAGE PER PRODUCTION PROCESS SHEET.
 - FOR CONTACT SIZE, SPACING AND SERVICE RATING, SEE DRAWINGS, MIL-STD-1651.
 - DIMENSION INDICATES FINAL INSTALLATION. FOR STORAGE AND SHIPPING, NUT AND SLEEVE MUST BE LOOSELY COUPLED.
 - SEE WORK ORDER FOR PERMISSIBLE ADDITIONAL OR ALTERNATE STAMPING.
 - TO COMPLETE ASSEMBLY NUMBER AND MS NUMBER, ADD APPLICABLE INSERT ARRANGEMENT SUFFIX TO BASE NUMBERS LISTED ABOVE. (FOR ALTERNATE ARRANGEMENTS, REFER TO 9-2437).
 - SEE DRAWING 10-474608/650 AND OTHERS FOR REQUIRED MATING PLUG ASSEMBLIES.
 - ALL LOCKWIRE HOLES ARE .045 DIAMETER MINIMUM
 - INSERTS AND CONTACTS ARE NOT REMOVABLE.
 - UNITS ILLUSTRATED MEET THE MATERIAL AND FINISH REQUIREMENTS OF MIL-C-5015.
 - INCREASE "A" DIMENSION BY .312 FOR SIZE "0" CONTACT ONLY.
 - SEE SEPARATE PARTS LIST FOR COMPONENT PART NUMBERS AND QUANTITIES.
 - ALL UNUSED GROMMET HOLES MUST BE FILLED WITH APPROPRIATE SIZE SEALING PLUGS.
 - INDICATED THERMOCOUPLE CONTACT DATA IS APPLICABLE ONLY TO 10-474017-13P/S, 10-474018-15P/S (AND THEIR ALTERNATE ARRANGEMENTS) WHICH ARE THE ONLY THERMOCOUPLE ARRANGEMENTS AVAILABLE IN THIS SERIES.
 - SOME INSERTS AND GROMMETS ARE TOOLED UNDER A +50 PART NUMBER. CONSULT PARTS LIST FOR VERIFICATION.

THE USE OF THIS DOCUMENT IS UNLIMITED. HOWEVER, DOCUMENTS REFERENCED HEREON MAY CONTAIN LIMITED RIGHTS DATA.

SIZE C	FSCM NO. 77820	DOCUMENT NO. 10-474008 THRU 10-474050	REV. D
SCALE: NONE	REF: 10-329800/19	SHEET 2 OF 2	