

4

3

2

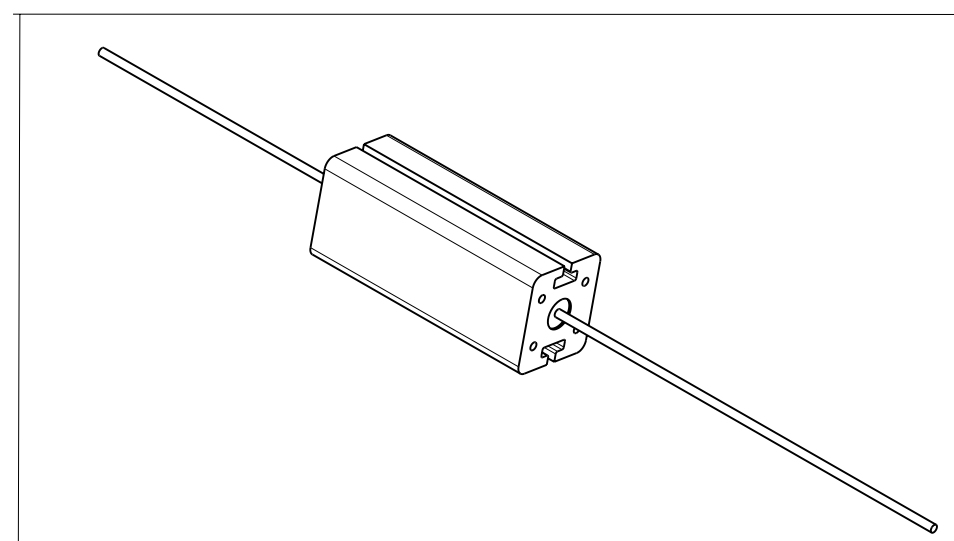
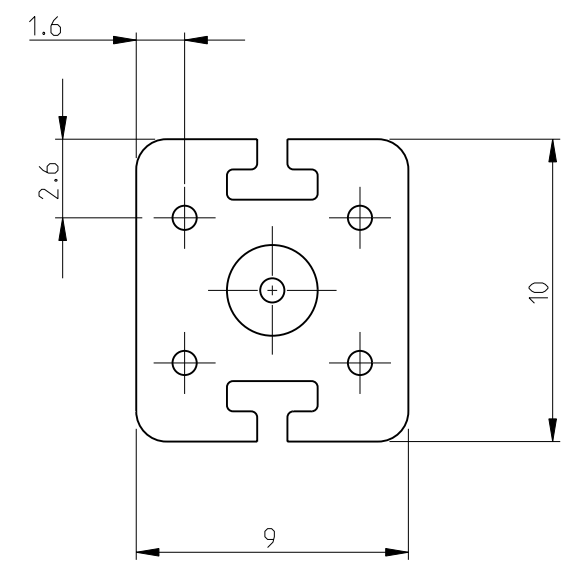
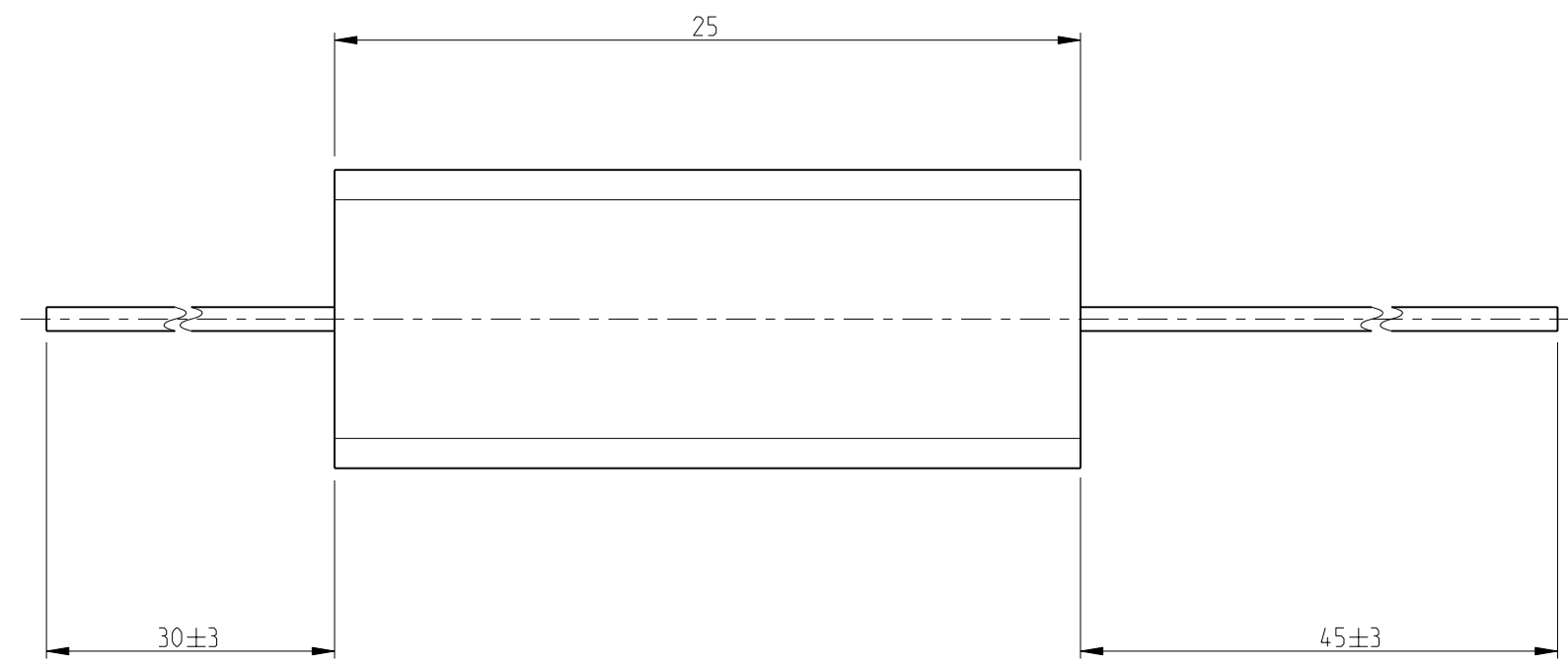
1

THIS DRAWING IS UNPUBLISHED. RELEASED FOR PUBLICATION 2008

© COPYRIGHT 2008 BY TYCO ELECTRONICS CORPORATION. ALL RIGHTS RESERVED.

LOC	DIST	REVISIONS				
P	LTR	DESCRIPTION	DATE	DWN	APVD	
E	B	BA	NEW RELEASE	28JULY2010	PT	St.P

FOR FURTHER INFORMATION SEE DATA SHEET FOR SERIES TYPE SBC(SQUARE CERAMIC), HIGH POWER RESISTORS



RoHS Compliant

THIS DRAWING IS A CONTROLLED DOCUMENT FOR TYCO ELECTRONICS CORPORATION IT IS SUBJECT TO CHANGE AND THE CONTROLLING ENGINEERING ORGANIZATION SHOULD BE CONTACTED FOR THE LATEST REVISION.

DIMENSIONS:		TOLERANCES UNLESS OTHERWISE SPECIFIED:	
mm			
0 PLC	±0.2	1 PLC	±0.1
2 PLC	±-	3 PLC	±-
4 PLC	±-	ANGLES	±5°
MATERIAL	-	FINISH	-

DWN	28JULY2010
CHK	28JULY2010
APVD	28JULY2010
PRODUCT SPEC	-
APPLICATION SPEC	-
WEIGHT	6g
CUSTOMER DRAWING	

Tyco Electronics Corporation Dorcan, Swindon, SN3 5HH	
NAME HIGH POWER RESISTOR TYPE SBC (SQUARE CERAMIC) SERIES SBCHE7	
SIZE	A3
CAGE CODE	00779
DRAWING NO	C=1623733
RESTRICTED TO	-
SCALE	4:1
SHEET	1 OF 1
REV	BA