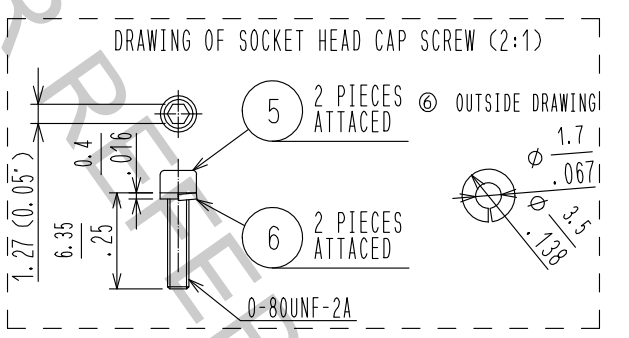
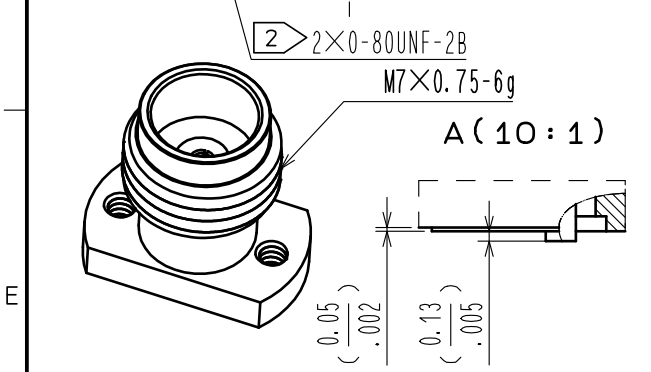
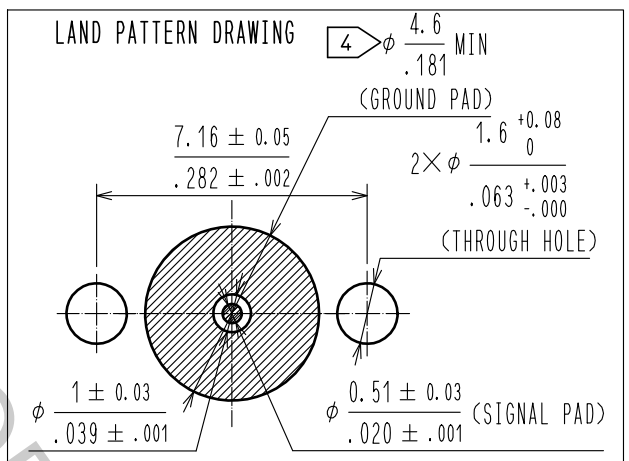
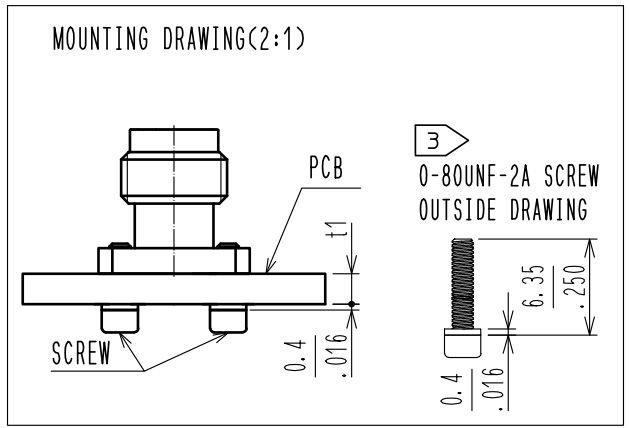
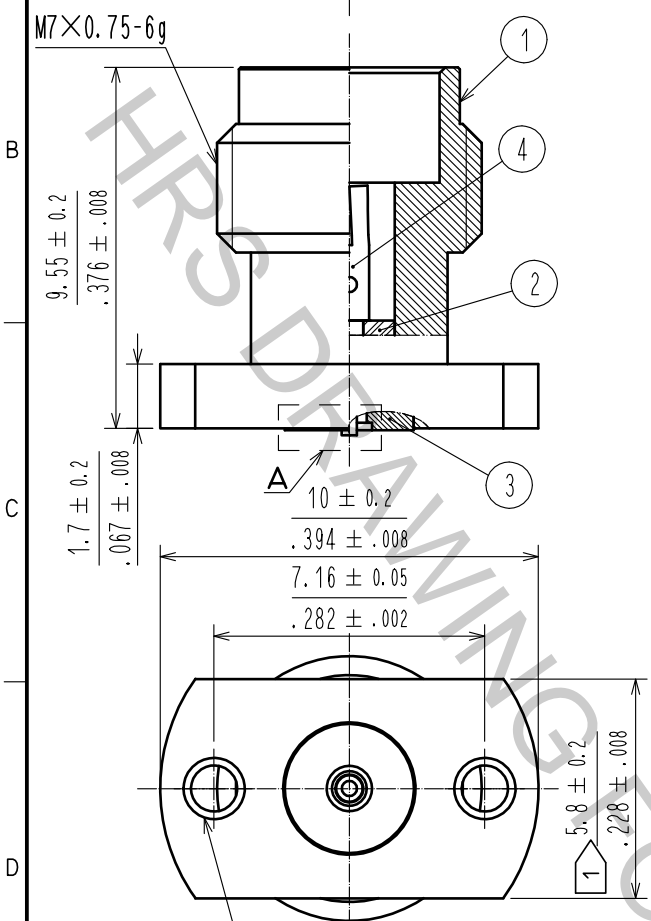


- 1 WHEN MATING THE CONNECTOR, PLEASE HOLD THE FRAISE WITH SPANNER NOT TO PLACE STRESS ON PCB BY THE TORQUE.
- 2 0-80UNF-2B SCREW TIGHTENING TORQUE IS 0.09N · m.
- 3 PLEASE USE ATTACHED SCREW AND WASHER FOR PCB MOUNTING. ATTACHED SCREW AND WASHER APPLY PCB THICKNESS t1=2.4 TO 4.25mm.
- 4 RESIST OF INSIDE OF  $\phi 4.6$  MIN (GROUND PAD) IS PROHIBITED.
- 5. THIS CONNECTOR SHOULD BE USE FOR TEST PORT ONLY.
- 6. THIS CONNECTOR IS OPTIMIZED FOR IMPEDANCE 42.5 $\Omega$  SIGNAL LINE.



RoHS COMPLIANT

3	STAINLESS STEEL	GOLD PLATING	6	STAINLESS STEEL	(SPRING WASHER)		
2	PTFE		5	STEEL	CO-80UNF-2A SCREW		
1	STAINLESS STEEL	PASSIVATE	4	BERYLLIUM COPPER	GOLD PLATING		
NO.	MATERIAL	FINISH	REMARKS	NO.	MATERIAL	FINISH	REMARKS

UNITS [mm/in]		SCALE 5 : 1	COUNT 2	DESCRIPTION OF REVISIONS DIS-D-00001726	DESIGNED TP. MATSUMOTO	CHECKED TS. NOBE	DATE 16.12.08
---------------	--	-------------	---------	---	------------------------	------------------	---------------

<b>HRS</b> HIROSE ELECTRIC CO., LTD.	APPROVED : KY. SHIMIZU	16.08.30	DRAWING NO.	EDC-368164-16-01
	CHECKED : TO. KATAYAMA	16.08.30	PART NO.	H2. 4-R-SR2-IN<16>
	DESIGNED : TP. MATSUMOTO	16.08.29	CODE NO.	CL338-0602-0-16
	DRAWN : TP. MATSUMOTO	16.08.29		