

## DESCRIPTION

Demonstration circuit 860 is a 1.5A, 1MHz Synchronous Boost Converter featuring the LTC3422EDD. It produces 3.3V at 600mA from 1.8 to 3Vin.

The LTC3422 is a high efficiency, current mode, fixed frequency, step up DC/DC converter with true output disconnect and inrush current limiting. The device includes a 0.20Ω N-channel MOSFET switch and a 0.24Ω P-channel MOSFET synchronous rectifier. The output voltage, switched frequency, soft-start time, Burst Mode threshold and loop compensation are all simply programmed using tiny external passive components.

The LTC3422 quiescent current is only 25uA during Burst Mode<sup>®</sup> operation, maximizing battery life in portable applications. The oscillator can be programmed up to 3MHz and can be synchronized to an external clock applied to the SYNC pin.

For further details about the operation of the LTC3422EDD, please refer to the LTC3422 data sheet.

**Design files for this circuit board are available. Call the LTC factory.**

LT, LTC, LT, and Burst Mode are registered trademarks of Linear Technology Corporation.

**Table 1. Performance Summary (T<sub>A</sub> = 25°C)**

PARAMETER	CONDITION	VALUE
Minimum Input Voltage		1.8V
Maximum Input Voltage		3.0V
Output Voltage V <sub>OUT</sub>	V <sub>IN</sub> = 1.8 to 3.0V, I <sub>OUT</sub> = 0 to 600mA	3.3V
Maximum Output Current	V <sub>IN</sub> = 1.8 to 3.0V	600mA
Typical Output Ripple V <sub>OUT</sub>	V <sub>IN</sub> = 1.8V, I <sub>OUT</sub> = 600mA, 20MHz BWL	20mV <sub>P-P</sub>
Nominal Switching Frequency		1 MHz

## QUICK START PROCEDURE

Demonstration circuit 860 is easy to set up to evaluate the performance of the LTC3422EDD. Refer to Figure 1 for proper measurement equipment setup and follow the procedure below:

**NOTE:** When measuring the input or output voltage ripple, care must be taken to avoid a long ground lead on the oscilloscope probe. Measure the input or output voltage ripple by touching the probe tip directly across the VIN or VOUT and GND terminals. See Figure 2 for proper scope probe technique.

1. Set JP1 (VOUT ENABLE) to the OFF position.
2. Set JP2 (Mode selector) to the AUTO ON position.

3. With power off, set the output of the external power supply to its minimum positive value. Connect the external power supply to Vin (E1) and GND (E3) terminals.
4. Turn on the power at the input, taking care to ensure that the voltage does not exceed 3.0V.
5. Verify that the output power is off.
6. Set JP1 (VOUT ENABLE) to the ON position.
7. Check for the proper output voltages. VOUT should be 3.3V.

# QUICK START GUIDE FOR DEMONSTRATION CIRCUIT 860

## 1.5A, 1MHz SYNCHRONOUS BOOST CONVERTER

**NOTE:** If there is no output, temporarily disconnect the load to make sure that the load is not set too high.

8. Once the proper output voltages are established, adjust the load within the operating range and observe the output voltage regulation, ripple voltage, efficiency and other parameters.

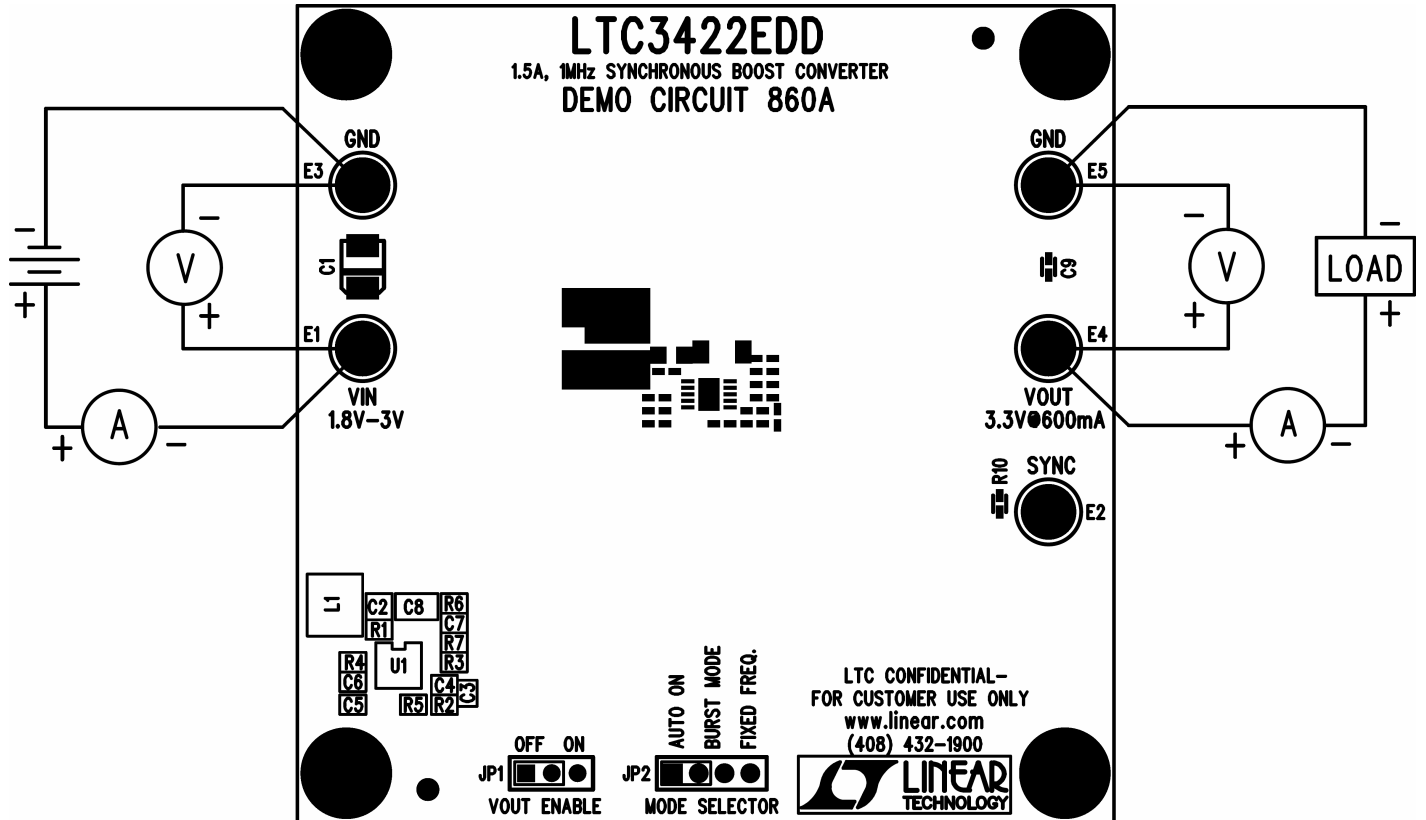


Figure 1. Proper Measurement Equipment Setup

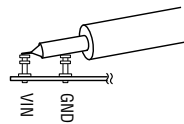
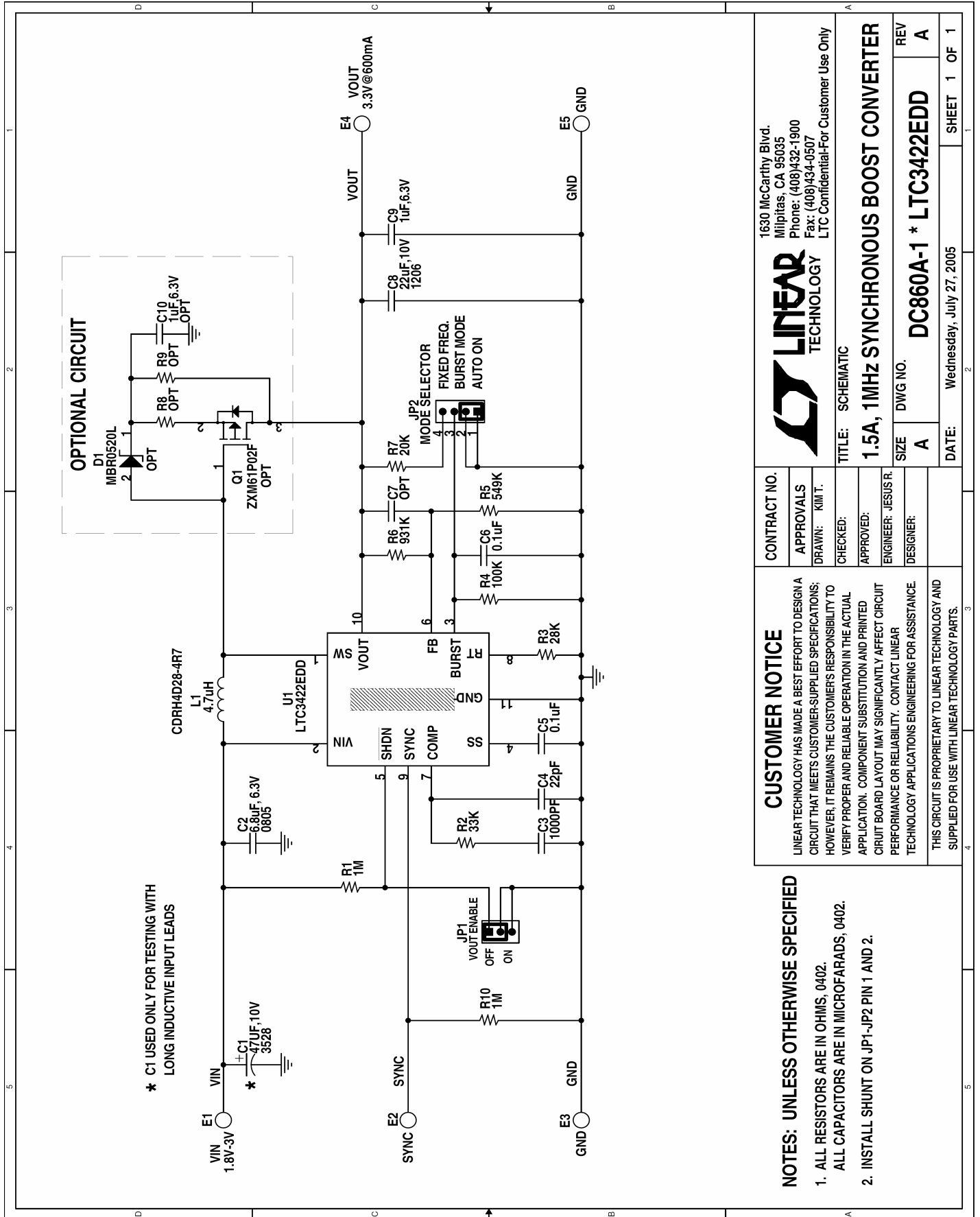


Figure 2. Measuring Input or Output Ripple

# QUICK START GUIDE FOR DEMONSTRATION CIRCUIT 860

## 1.5A, 1MHz SYNCHRONOUS BOOST CONVERTER



**LINEAR TECHNOLOGY**

1630 McCarthy Blvd.  
Milpitas, CA 95035  
Phone: (408)432-1900  
Fax: (408)434-0507  
LTC Confidential-For Customer Use Only

**CONTRACT NO.**

**APPROVALS**

DRAWN: KIM T.

CHECKED:

APPROVED:

ENGINEER, JESUS R.

DESIGNER:

**TITLE: SCHEMATIC**

**1.5A, 1MHz SYNCHRONOUS BOOST CONVERTER**

SIZE: A

DWG NO.: DC860A-1 \* LTC3422EDD

DATE: Wednesday, July 27, 2005

SHEET 1 OF 1

**REV A**