

4

3

2

1

THIS DRAWING IS UNPUBLISHED.      RELEASED FOR PUBLICATION      -,-  
 © COPYRIGHT - By -      ALL RIGHTS RESERVED.

LOC	DIST	REVISIONS					
		P	LTR	DESCRIPTION	DATE	DWN	APVD
G	14		H1	REVISED PER ECO-11-004917	11MAR11	RK	HMR

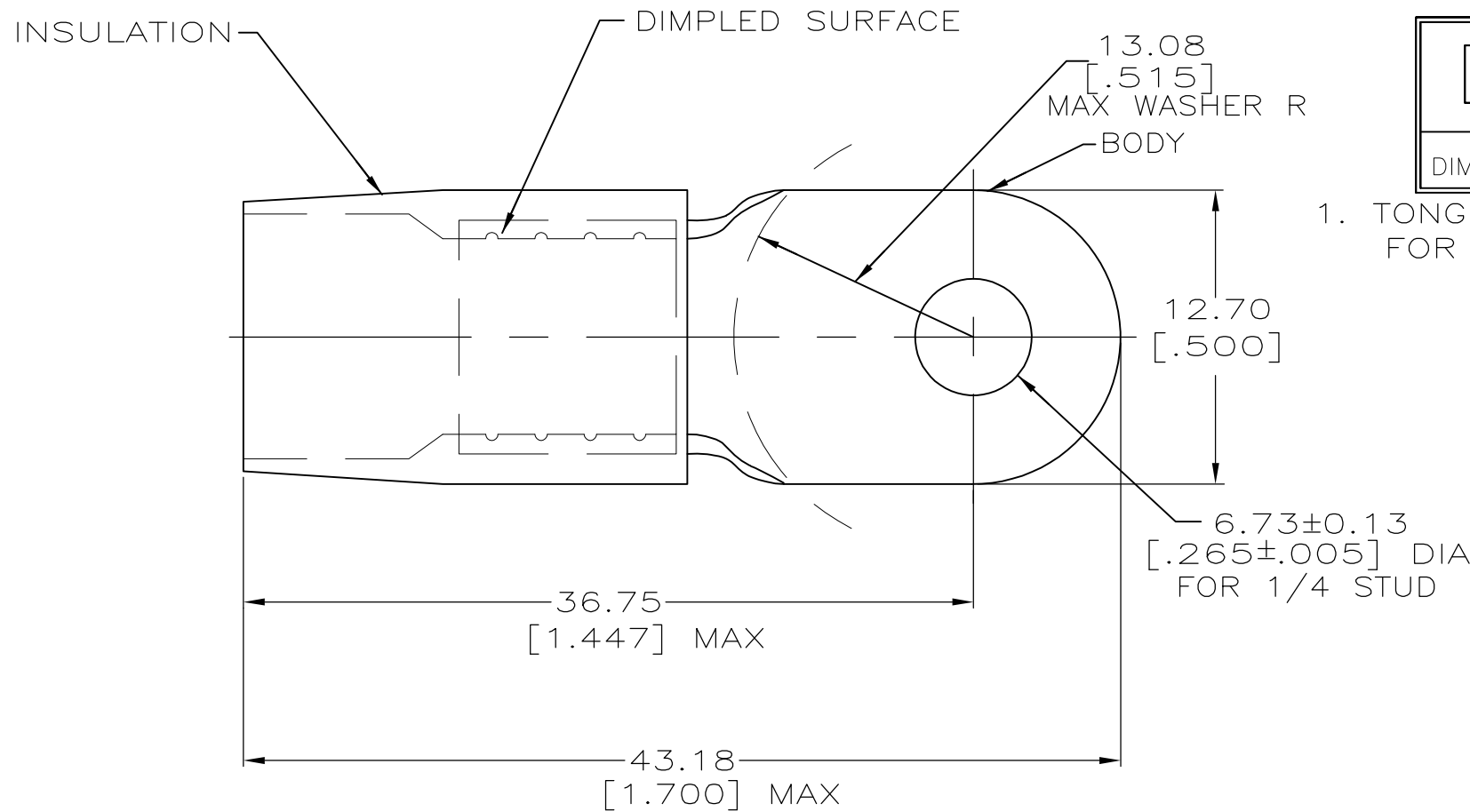
**AMP**  
WIRE RANGE

---

6 AWG  
STRANDED

**METRIC**

DIMENSIONS LISTED IN mm [ INCHES ]



1. TONGUE MATERIAL THK 1.14±0.08 [.045±.003]  
FOR 7.98 [.314] MAX WIRE INS DIA

MS25036-120 CLASS 2	-	LOOSE PC	324047
MILITARY P/N AND CLASS	QTY	PACKAGE TYPE	PART NO

**AMP INCORPORATED**  
**CUSTOMER SERVICE SYSTEMS**

FOR ADDITIONAL PRODUCT INFORMATION OR COPIES OF DRAWINGS AND TECHNICAL DOCUMENTS      PRODUCT INFORMATION CENTER      1-800-522-6752

FOR APPLICATION TOOLING INFORMATION      TOOLING ASSISTANCE CENTER      1-800-722-1111

FOR ORDER ENTRY      1-800-526-5142

MAX RECOMMENDED OPERATING TEMPERATURE:  
105° c

VOLTAGE RATING:  
-

CIRCULAR MIL AREA:  
10.5-16.8mm<sup>2</sup> [20,800-33,100] STRANDED

THIS DRAWING IS A CONTROLLED DOCUMENT.

DIMENSIONS: mm[INCHES]	TOLERANCES UNLESS OTHERWISE SPECIFIED:
	0 PLC ± -
	1 PLC ± -
	2 PLC ± 0.20[.008]
	3 PLC ± -
	4 PLC ± -
	ANGLES ± -

MATERIAL: COPPER PER ASTM B-152 NYLON (MIL-M-20693) TYPE 1 COLOR: BLUE

FINISH: TIN PLATE PER MIL-T-10727

DWN S.S. GOULDEN 6-18-93	<b>STE</b> TE Connectivity	NAME TERMINAL, RING TONGUE, TERMINYL WIRE SIZE: 6 AWG	SIZE	CAGE CODE	DRAWING NO	RESTRICTED TO
CHK R. HERSEY 6-18-93			A3	00779	C-324047	-
APVD B. BARE 6-18-93						
PRODUCT SPEC	APPLICATION SPEC		WEIGHT -		CUSTOMER DRAWING	
SCALE NTS			SHEET 1 OF 1		REV H1	