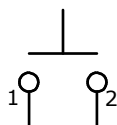
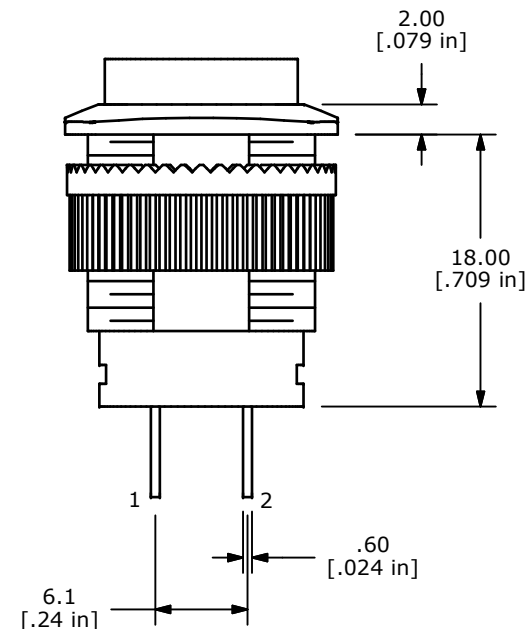
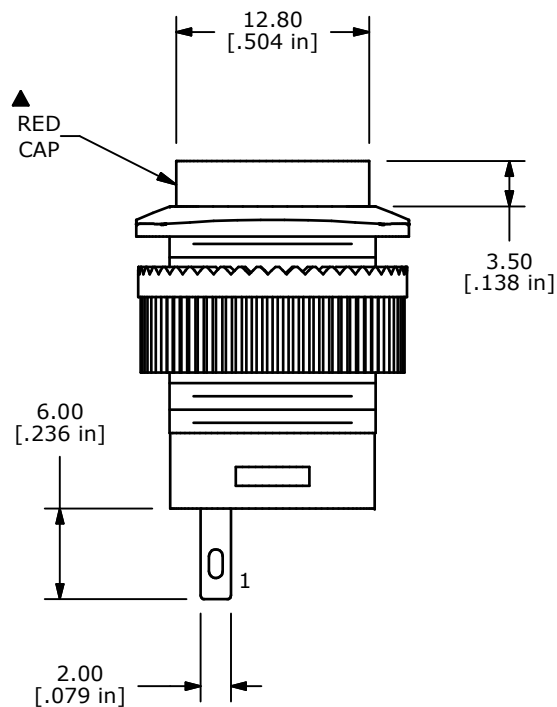
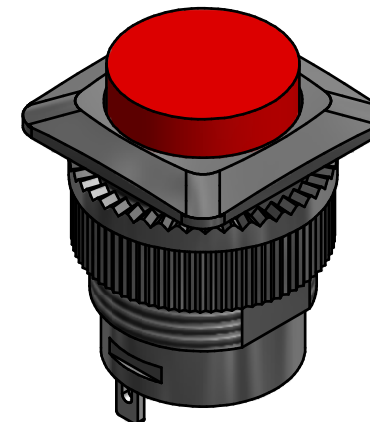
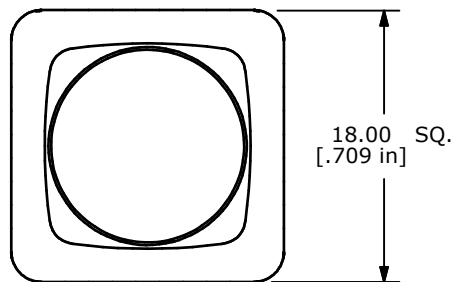


PANEL MOUNTING



▲CIRCUIT: SPST  
MOMENTARY  
C



NOTE:

1. ALL DIMENSIONS IN MM [INCH]
2. GENERAL TOLERANCE: X.X=±0.4  
X.XX=±0.25
3. TERMINAL NUMBERS FOR REF ONLY
4. CIRCUIT: SPST OFF-MOMENTARY ON
- ▲ 5. CONTACT RATING: 3A @ 125VAC, 1.5A @250VAC
6. ELECTRIC LIFE: 6,000 CYCLES AT FULL LOAD MIN.
7. CONTACT RESISTANCE: 50 milli-OHM max. (INITIAL)
8. INSULATION RESISTANCE: 100 MEGA-OHM min. @ 500VDC.
9. DIELECTRIC STRENGTH: 1,500VAC FOR 1 MINUTE.
10. LED: NONE
11. OPERATING TEMPERATURE: 0°C TO +65°C.
12. PANEL THICKNESS RANGE: 7.0 mm MAX.
13. ▲DENOTES CRITICAL PARAMETER.
14. 2002/95/EC (ROHS) COMPLIANT
15. HARDWARE INCLUDED: Mounting Nut

C	21536	CORRECT CIRCUIT TITLE	8/4/14	EBP
B	19613	DRAWING UPDATE	1/20/11	BGL
A	19079	Release for Production	5/20/10	rc
REV	PCR NO	DESCRIPTION	DATE	BY

THE INFORMATION CONTAINED IN THIS DOCUMENT IS PROPRIETARY TO E-SWITCH AND IS NOT TO BE COPIED OR TRANSFERRED



TITLE RP3508ABLKREDNNS				
SCALE	DATE	DR	DWG	REV
2 : 1	5/20/2010	rc	F130424	C