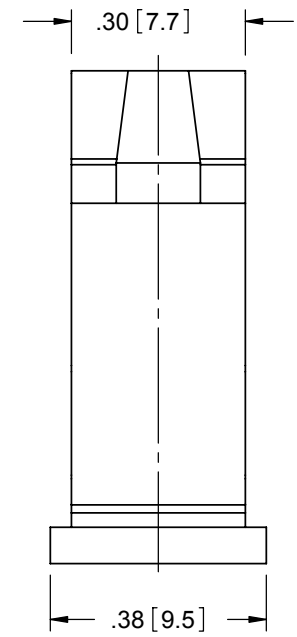
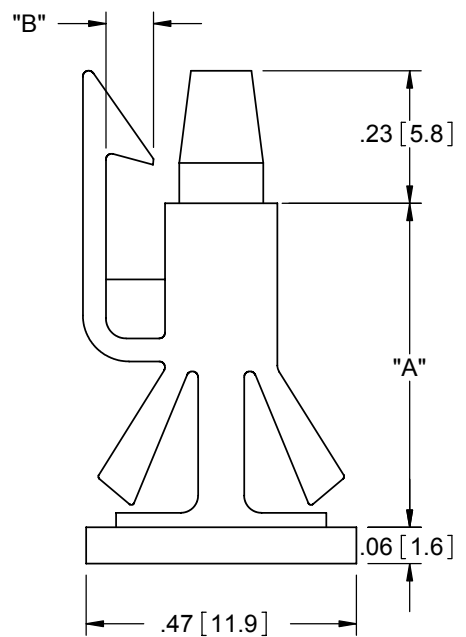
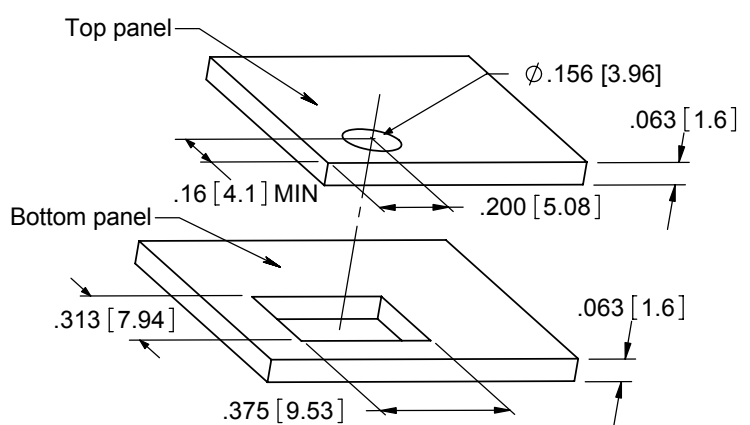


Part No.	"A"	"B"
RLEHCBS-5-01BK	.38 [9.5]	.06 [1.5]
RLEHCBS-6-01BK	.44[11.1]	
RLEHCBS-7-01BK	.50[12.7]	.08 [2.1]
RLEHCBS-8-01BK	.56[14.3]	



- NOTES:
1. Material: Nylon 6/6 (RMS-01).
Flame Retardant Nylon, (RMS-19) available by special order.
To order, replace -01 with -19.
 2. Color: Black. Natural, also available by special order.
To order, remove BK from part no.
 3. Designed to snap lock into the bottom of a .313 X .375 [7.94 X 9.53] hole, and top panel with Ø.156 [3.96] hole .200 [5.08] from edge.
 4. Board clearance is dependent on bottom panel thickness.

TITLE: REVERSE LOCKING EDGE HOLDING CIRCUIT BOARD SUPPORT						DWG IN IN[mm]	
CREATED USING SOLIDWORKS	FILE #: RLEHCBS	DWN: D.J.Z.	APP: DJZ	FINAL			
TOLERANCES UNLESS NOTED .XX=±.010 .XXX=±.005 FRAC.=±1/64 ANG.=±1°	SHEET: 1 OF 1	SHEET SIZE: A	DT: 06/19/03	CHKD: SJ	PART #		PRINT TYPE
REV.	DESCRIPTION	ENGR.	DATE	RE: RICHCO --	SEE TABLE		CA
				RICHCO, INC. ENG@RICHCO-INC.COM (773) 539-4060			

REV.	DESCRIPTION	ENGR.	DATE
D	SEE ECN #1256 FOR CHANGES	SK	11/30/06
C	SEE ECN #875 FOR CHANGES	SM	11/01/04
B	ADDED DIMENSIONS, SEE ECN #786 FOR CHANGES	SM	04/30/04
A	RELEASE FOR PRODUCTION	SM	08/26/03