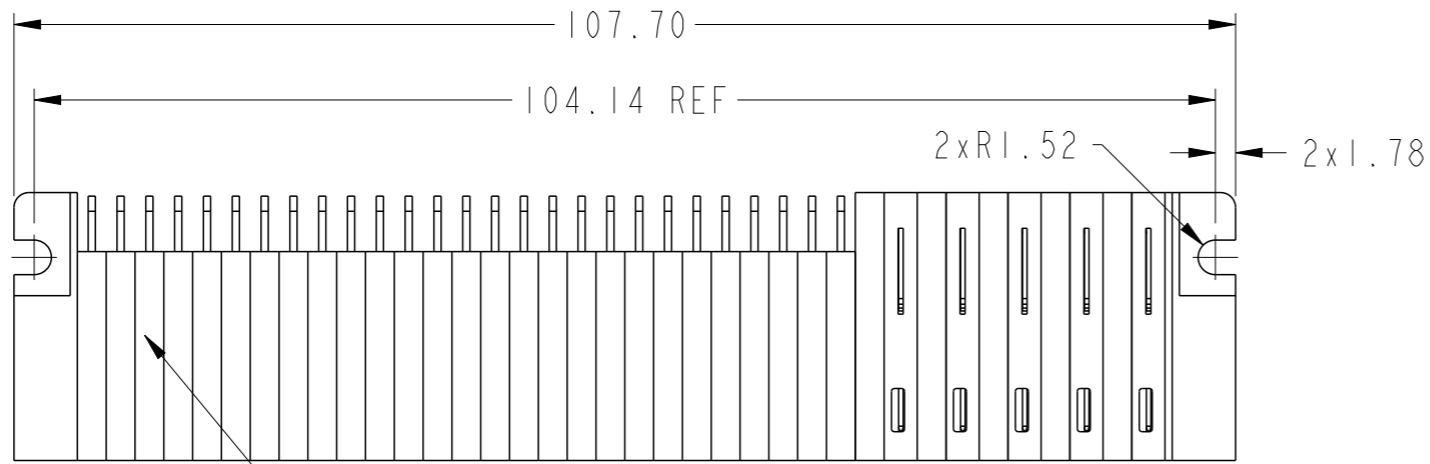
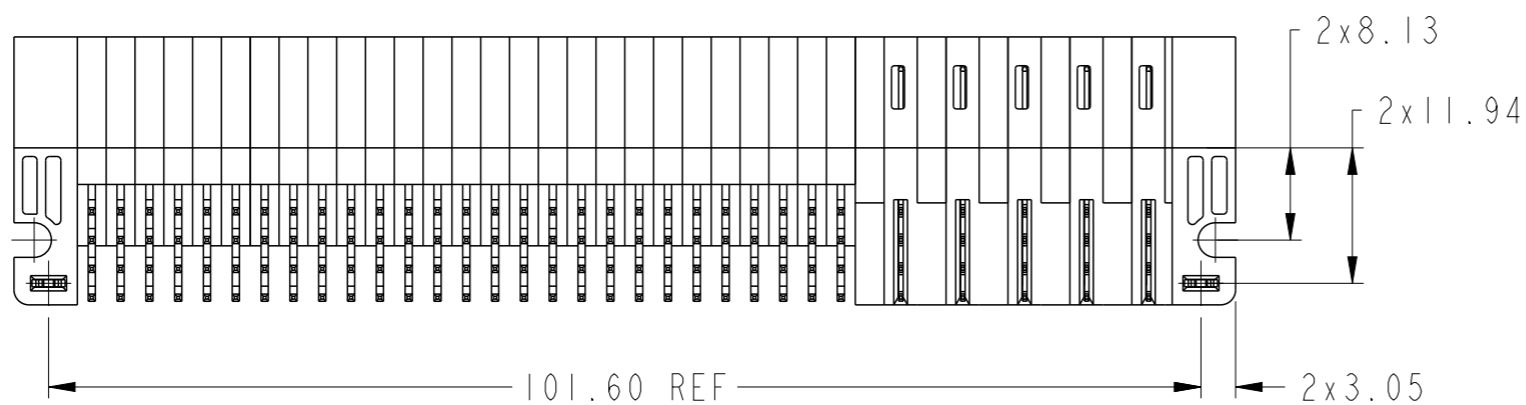
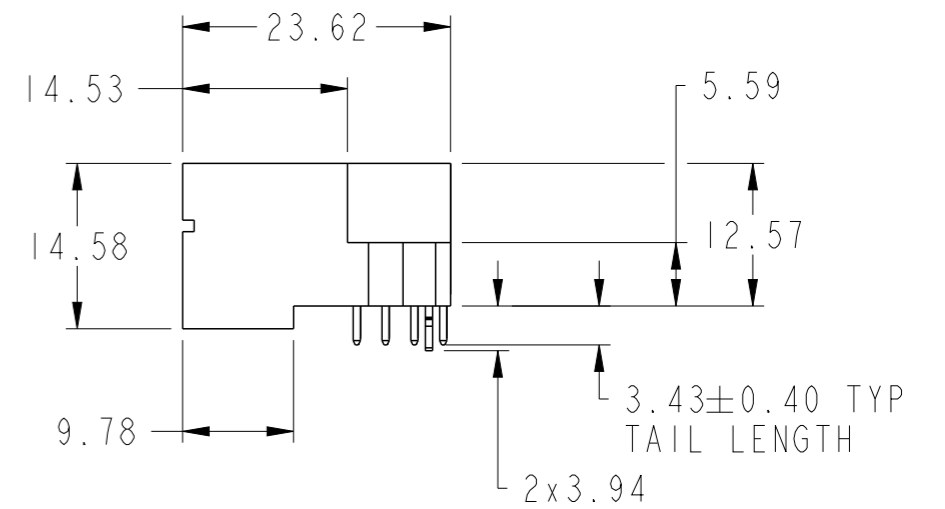
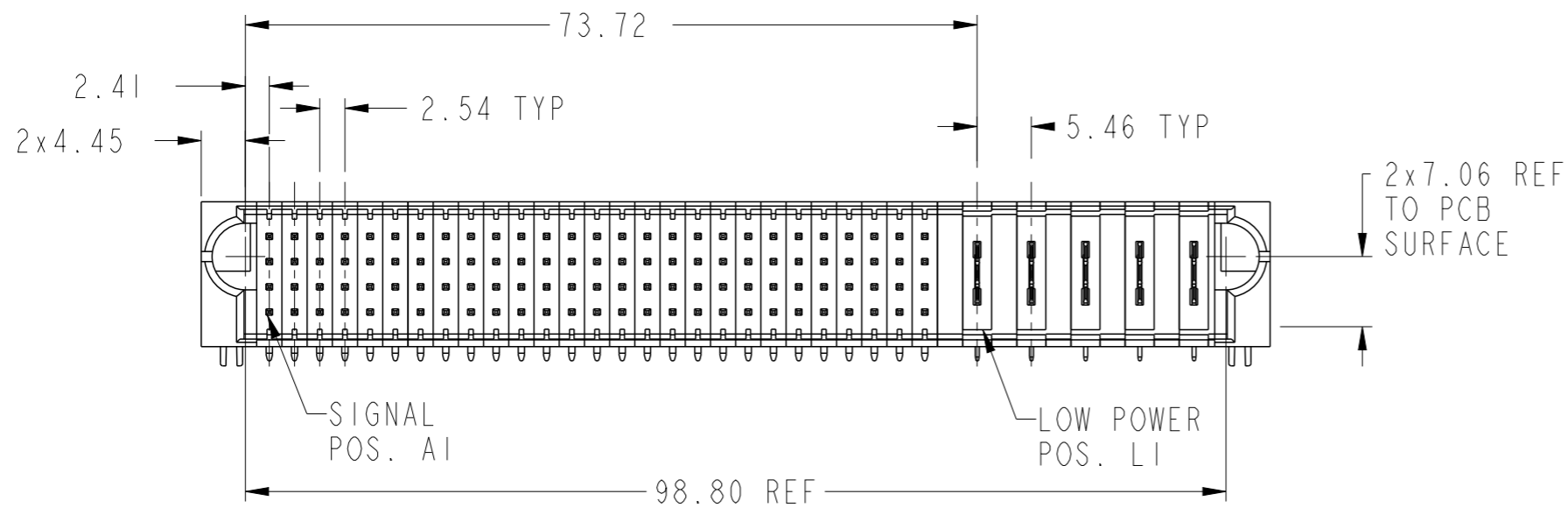


PRODUCT NUMBER SEE SHEET 2



NOTE 1



spec ref	*	dr	Rainbow Zhan	2014/06/18	projection	MM	size	A3	scale	3:2
tolerance std	ASME Y14.5	eng	Rainbow Zhan	2014/07/03			ecn no	-	rel level	Released
TOLERANCES UNLESS OTHERWISE SPECIFIED		chr	Li-He	2014/07/03						
surface	<input checked="" type="checkbox"/> linear <input type="checkbox"/> angular	appr	Pei-Ming Zheng	2014/07/03	product family	PwrBlade+	rel level	Released		
ASME Y14.5	0.X ±0.5 0.XX ±0.25 0.XXX ±0.10 0° ±2°			title 108S + 5LP RA STB HEADER	dwg no 10106262-0527001	rev A				
www.fci.com		cat. no.		Product - Customer Drw			sheet 1 of 3			



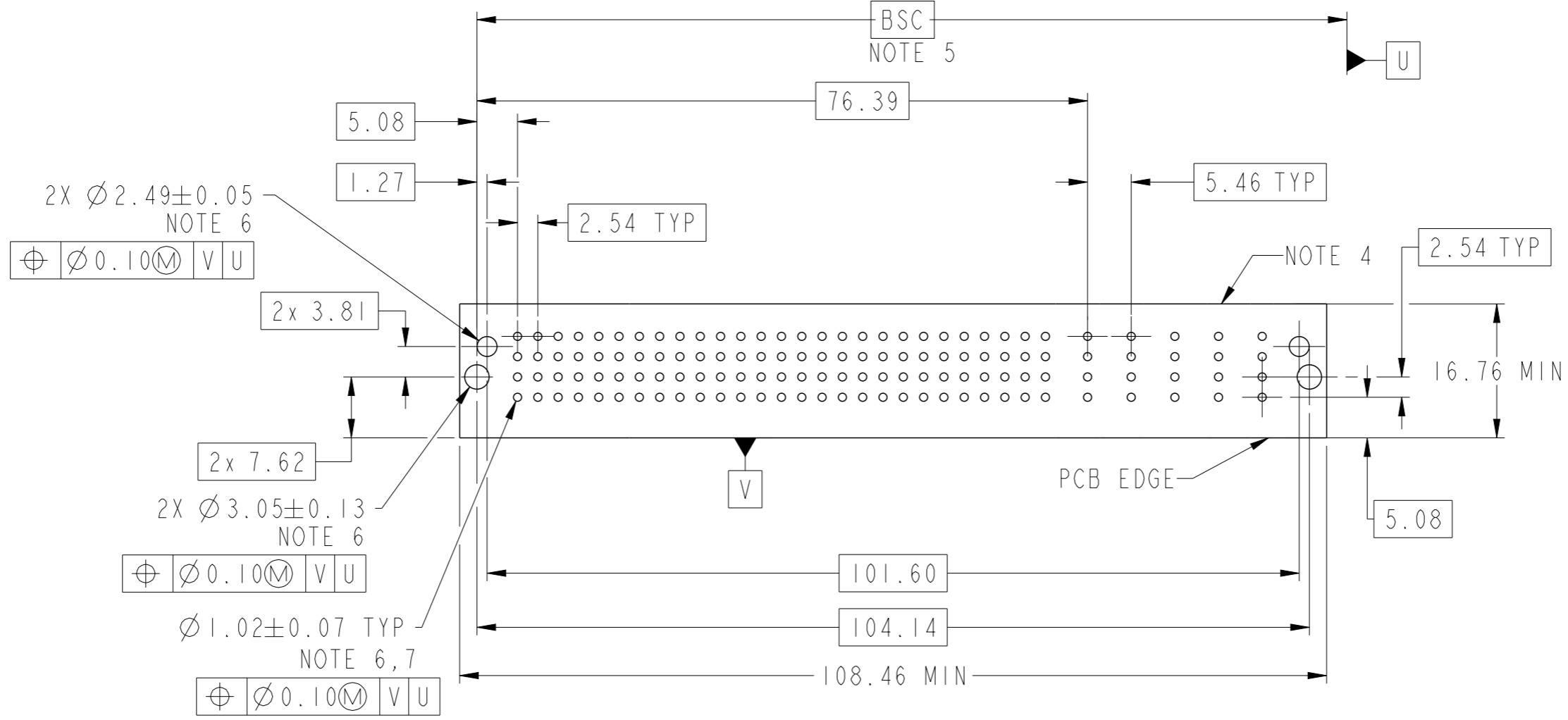
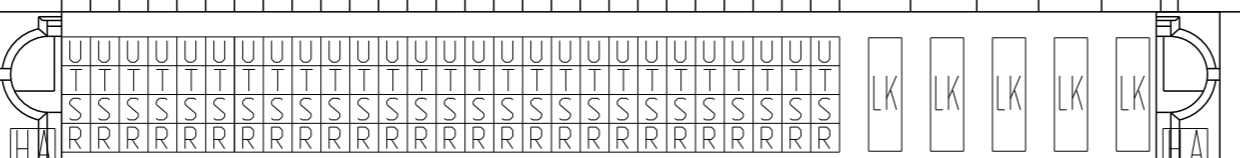
PRODUCT NO.
10106262-0527001LF

ROWS
D
C
B
A

SIGNAL

HIGH POWER

E1 1 2 3 4 5 6 7 8 9 10 11 12 13 14 15 16 17 18 19 20 21 22 23 24 25 26 27 P1 P2 P3 P4 P5 E2



2X Ø2.49±0.05
NOTE 6
⊕ Ø0.10 M V U

2X Ø3.05±0.13
NOTE 6
⊕ Ø0.10 M V U

Ø1.02±0.07 TYP
NOTE 6,7
⊕ Ø0.10 M V U

CODE	DESCRIPTION
HA	METAL HOLD DOWN
LK	STD LOW POWER CONTACT (3.43)
R	STD SIGNAL CONTACT, ROW A (3.43)
S	STD SIGNAL CONTACT, ROW B (3.43)
T	STD SIGNAL CONTACT, ROW C (3.43)
U	STD SIGNAL CONTACT, ROW D (3.43)

dr	Rainbow Zhan	2014/06/18	projection	MM	size	A3	scale	3:2
eng	Rainbow Zhan	2014/07/03			ecn no	-		
chr	Li-He	2014/07/03			rel level	Released		
appr	Pei-Ming Zheng	2014/07/03			product family	PwrBlade+		
			title 108S + 5LP RA STB HEADER		dwg no 10106262-0527001	rev A		
www.fci.com			cat. no.		Product - Customer Drw		sheet 2 of 3	



Copyright FCI.

Pro/E File - REV C - 2009-06-09

1

2

3

4

A

B

C

D

A

B

C

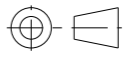
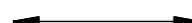

D

NOTES:

- 1) "FCI", PART NUMBER AND DATE CODE TO BE MARKED ON THIS SURFACE.
THE MARK CAN BE OMITTED IF THERE IS NOT ENOUGH SPACE ON THIS SURFACE.
- 2) MATERIALS:
-HOUSING - GLASS FILLED WITH HIGH TEMP THERMOPLASTIC, UL94V-0.
-SIGNAL CONTACT - COPPER ALLOY.
-POWER CONTACT - HIGH CONDUCTIVITY COPPER ALLOY.
- 3) PLATING SPECIFICATION REFER TO FCI 10116351
- 4) DENOTES CONNECTOR KEEP OUT ZONE.
- 5) DATUM AND BASIC DIMENSIONS WERE ESTABLISHED BY CUSTOMER.
- 6) ALL HOLE DIAMETERS ARE FINISHED HOLE SIZES.
- 7) 1.15 ± 0.025 MM DRILLED HOLE PLATED WITH 0.00762 MM MIN Sn
OVER 0.0254 - 0.0762 MM Cu PLATING TO ACHIEVE A 1.02 ± 0.07 MM HOLE.
- 8) PRODUCT SPECIFICATION REFER TO FCI GS-12-658.
APPLICATION SPECIFICATION REFER TO FCI GS-20-141.
PRODUCT PACKAGED IN TRAYS, REFER TO FCI GS-14-1502.



Copyright FCI.

dr	Rainbow Zhan	2014/06/18	projection 	MM 	size	A3	scale	3:2
eng	Rainbow Zhan	2014/07/03			ecn no	-		
chr	Li-He	2014/07/03			product family	PwrBlade+	rel level	Released
appr	Pei-Ming Zheng	2014/07/03						
		title 108S + 5LP RA STB HEADER		dwg no 10106262-0527001	rev A			
www.fci.com		cat. no.	Product - Customer Drw		sheet 3 of 3			

2

3

PDS: Rev :A

STATUS:Released

Printed: Jul 04, 2014