

Product Overview

LB11867RV: Variable Speed Single-Phase Fan Motor

For complete documentation, see the data sheet

LB11867RV is a single-phase bipolar driving motor pre-driver with the variable speed function compatible with external PWM signal. With a few external parts, a highly-efficient and highly-silent variable drive fan motor with low power consumption can be achieved. This product is best suited for driving of the server requiring large air flow and large current and the fan motor of consumer appliances.

Features

- Single-phase full-wave driving pre-driver
- Variable speed control possible with external PWM input
- Current limiting circuit incorporated
- Reactive current cut circuit incorporated
- Minimum speed setting pin
- Soft start setting pin
- Lock protection and automatic reset circuits incorporated
- RD (lock detection) output
- Thermal shutdown circuit incorporated

Benefits

- High-efficiency low power-consumption drive

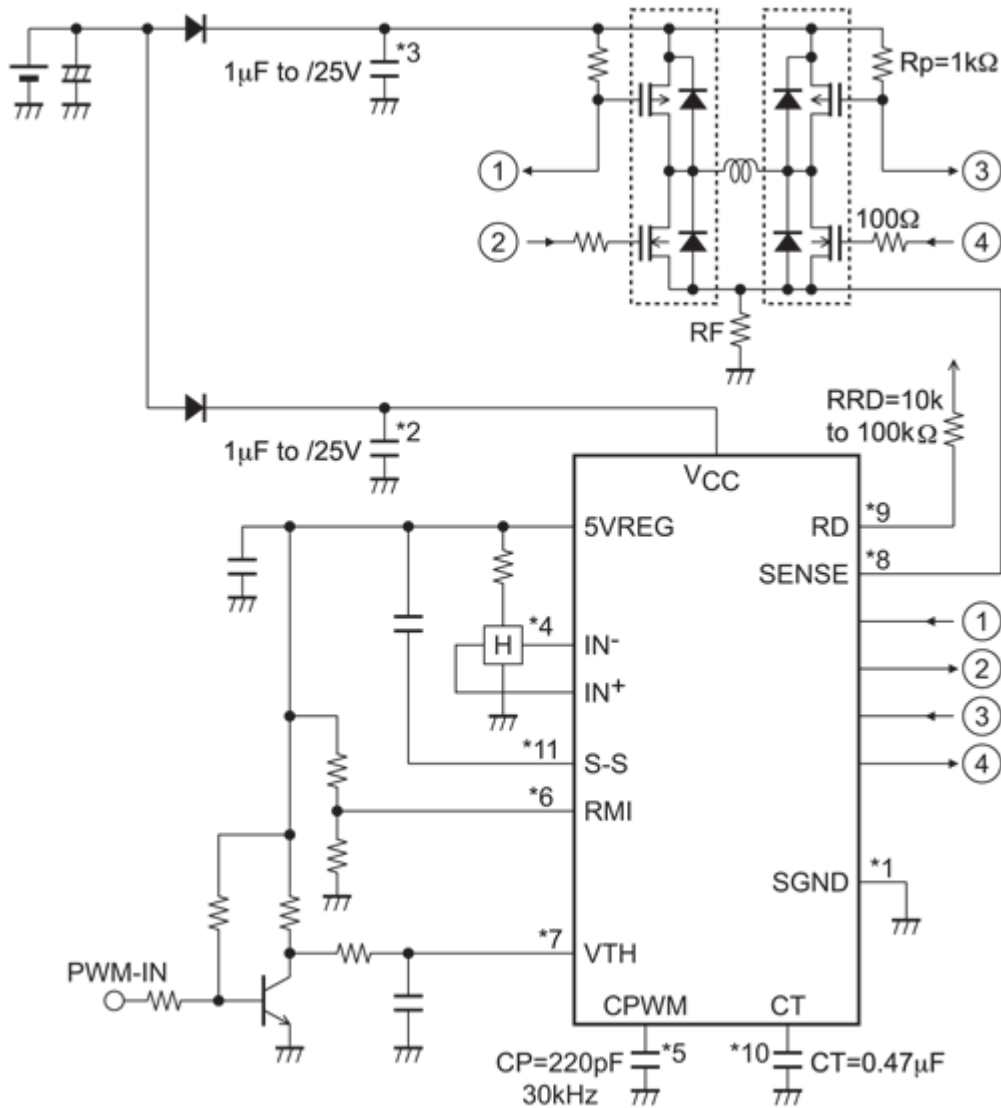
End Products

Part Electrical Specifications

Product	Compliance	Status	Phase	V _M Min (V)	V _M Max (V)	V _{CC} Min (V)	V _{CC} Max (V)	I _O Max (A)	I _O Peak Max (A)	Control Type	Current Sense	Regulator Output	Fault Detection	Package Type
LB11867RV-TLM-H	Pb-free Halide free	Active	1			5.5	16	0.02		PWM	External Resistor	Yes	Over-Current	SSOP-16

Application Diagram

Application Circuit Example (12V)



Note *1 to *11 information, please identify a datasheet.

For more information please contact your local sales support at www.onsemi.com

Created on: 4/30/2017