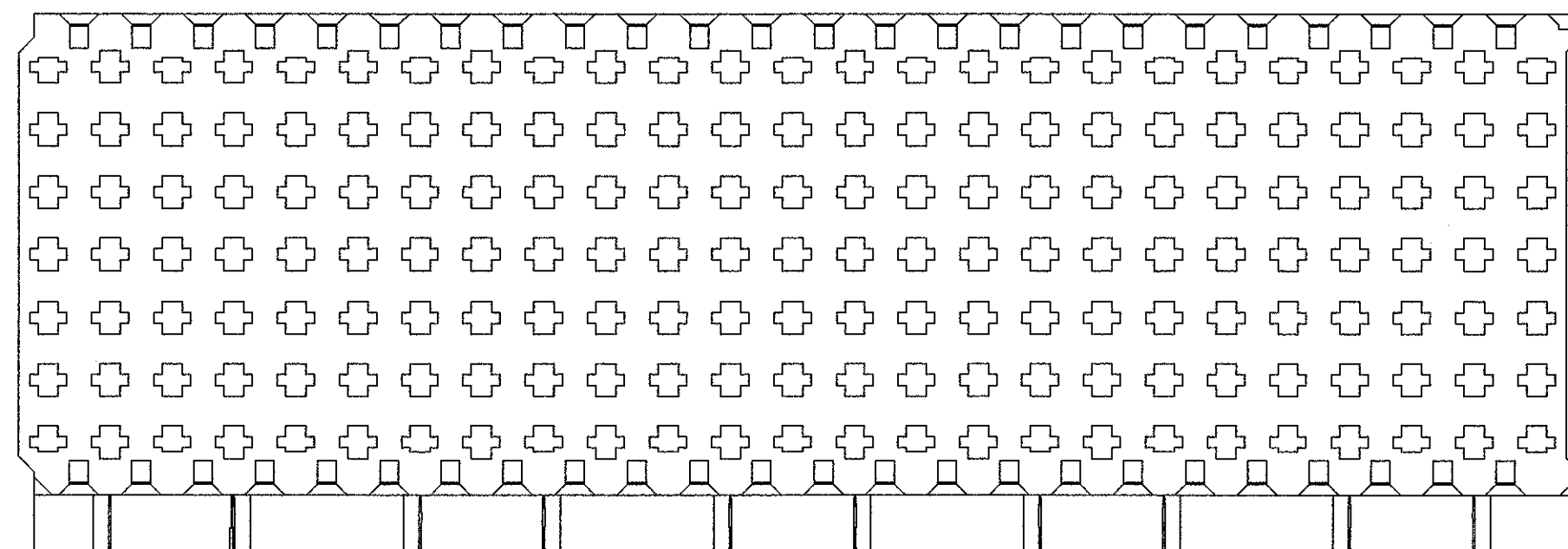
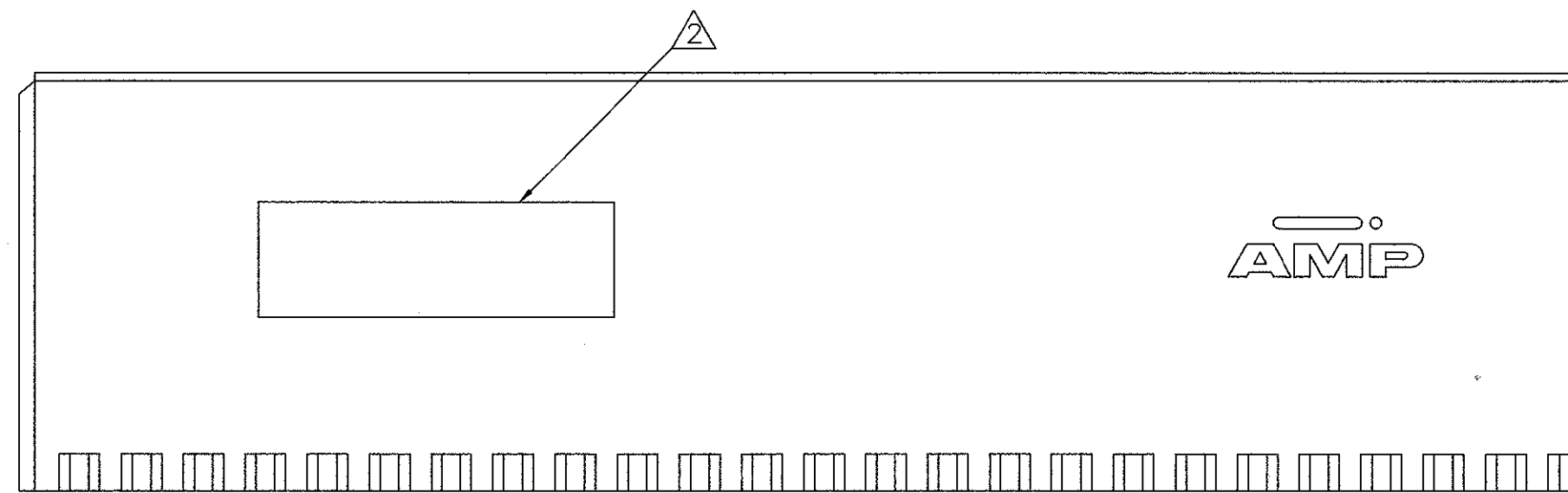
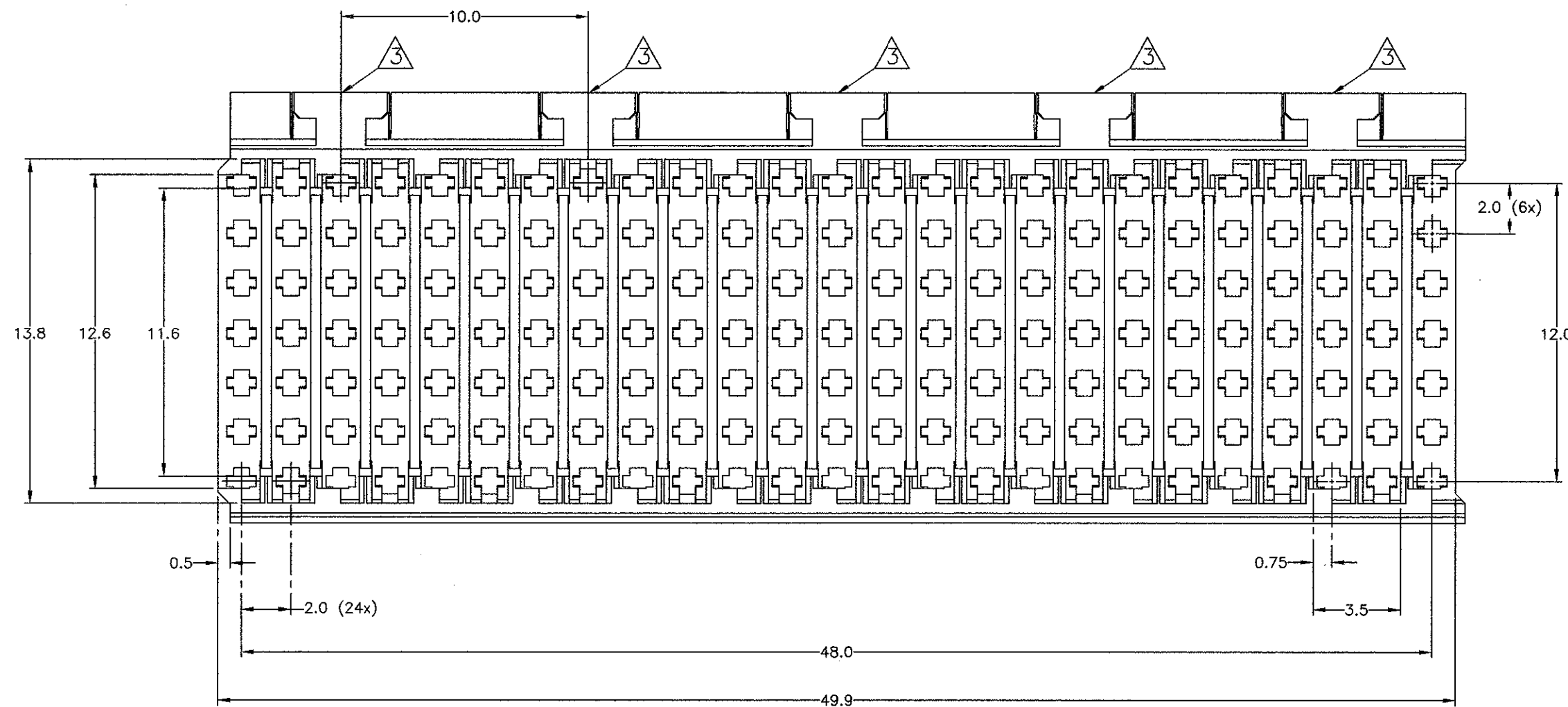


DO NOT SCALE
DIMENSIONS IN mm

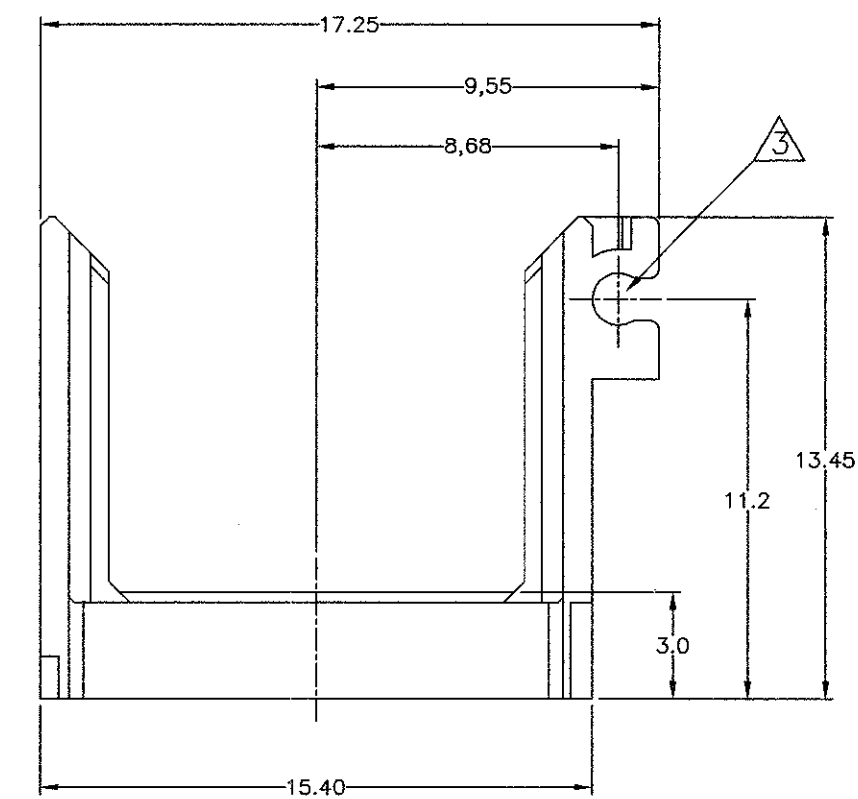
METRIC

THIRD ANGLE
PROJECTION



NOTES:

- △ MATERIAL SHROUD: GLASS FILLED POLYCARBONAT
- △ SHROUD PRINTED (AT OTHER SIDE) WITH P/N AND DATECODE
- △ FITS SNAP LATCH P/N 352706-1
- 4 352601-2 AS SHOWN



PRELIMINARY

352601-2	△	LIF CABLE CONNECTOR SHROUD 49,9mm	
PARTNUMBER	MATERIAL	DESCRIPTION	
--	--	CUSTOMER DRAWING FOR REFERENCE ONLY WILL NOT BE UPDATED	
--	--	© COPYRIGHT 19 98 BY AMP HOLLAND B.V. ALL INTERNATIONAL RIGHTS RESERVED. AMP PRODUCTS MAY BE COVERED BY U.S. AND FOREIGN AND/OR PATENTS PENDING.	
--	--	THIS DRAWING IS UNPUBLISHED RELEASED FOR PUBLICATION	
--	--	AMP HOLLAND B.V. 's-Hertogenbosch, The Netherlands.	
A	EH00-0979-98	WvdH	WvdH 24-11-99
LTR.	REVISION RECORD	DR.	CHK. DATE
DR.: W.v.d.Heijden	CHK.: W.v.d.Heijden	APP.: F.v.Koningsbrugge	DWG.No.
DATE: 25-05-99	DATE: 25-05-99	DATE: 24-11-99	C-352601
			REV. LTR. SHEET
			A 1 of 1 A2